



European Technical Assessment

ETA-06/0007
of 01-03-2016

General Part

Technical Assessment Body issuing the ETA: SGS INTRON CERTIFICATIE B.V.

| | |
|---|--|
| Trade name of the construction product | EUROFAST® |
| Product family to which the construction product belongs | Fasteners for mechanically fastened flexible roof waterproofing systems |
| Manufacturer | VAN ROIJ FASTENERS EUROPE B.V. Jan Tooropstraat 16 NL-5753 DK DEURNE |
| Manufacturing plant(s) | Laid down in non-published supplement to this ETA |
| This European Technical Assessment contains | 151 pages including 5 Annexes which form an integral part of this assessment. |
| This European Technical Assessment is issued in accordance with regulation (EU) No 305/2011, on the basis of | ETAG No. 006 Guideline for european technical approval of systems of mechanically fastened flexible roof waterproofing membranes, edition March 2000, amended November 2012, used as European Assessment Document (EAD) |
| This ETA replaces | ETA-06/0007, issued on 26/01/2012 |

Translations of this European Technical Assessment in other languages shall fully correspond to the original issued document and should be identified as such.

Communication of this European Technical Assessment, including transmission by electronic means, shall be in full (excepted the confidential Annex(es) referred to above). However, partial reproduction may be made, with the written consent of the issuing Technical Assessment Body. Any partial reproduction has to be identified as such.

Specific Part

1. TECHNICAL DESCRIPTION OF THE PRODUCT

The Eurofast® products are mechanical fasteners for waterproofing membranes, consisting of metal and synthetic washers with or without integrated sleeve, screws and pins. A survey of the products is given in Annex 1. Drawings of the products and combinations are given in Annex 5.

The fastening systems are marketed separately from the other components of roof waterproofing kits (membranes and possibly thermal insulations). This ETA covers only the characteristics of the Eurofast® fasteners. An additional ETA for roof water proofing systems according to ETAG 006 is necessary to determine the performance of the entire mechanically fixed roof water proofing systems.

The fasteners may be used for all types of waterproofing membranes. The supporting roof structure may consist of profiled steel decks, concrete, aerated concrete, or wood. Eurofast® may be used with membranes installed on a thermal insulation material or directly to the supporting roof underlay.

2. SPECIFICATION OF THE INTENDED USE IN ACCORDANCE WITH THE APPLICABLE EUROPEAN ASSESSMENT DOCUMENT (HEREINAFTER EAD)

Installation and design

General

The fitness for use of this component can only be assumed if installation is carried out according to the manufacturer's instructions. The manufacturer's installation guide forms part of this ETA.

It is the responsibility of the manufacturer to guarantee that the information on the application of its products is correctly given to the users.

Fasteners

In annex 2 the installation instructions for the screws are given. These refer to depth in or below the substructure, the tools and the weight of the tools and the speed (rounds per minute). Care should be taken to vertical positioning of the screws.

Substrates

The substrate onto which the waterproofing kit is to be laid should be sufficiently rigid, dense and dimensionally stable to support the system (membrane and insulation).

In order to support the loads imposed by traffic, insulation materials for use in warm decks should be capable of resisting permanent deformation or damage when subjected to concentrated loads. They should have a dust-free surface and sufficient laminar strength to resist with a margin of safety any stress imposed by wind uplift forces.

When insulation materials with a compressibility of $<0.1 \text{ Nmm}^{-2}$ (at 10% compression) are used, the membrane may be penetrated by the fastener. This may be prevented by using the "Treadfast" fastener.

Roof materials

The following is a list of recommendations for roof deck materials to receive the mechanically fastened roof waterproofing system.

- *Reinforced concrete.* Where a roof slab of reinforced concrete is designed as the deck, which will directly support the waterproofing, it is preferable to lay the slab to provide adequate drainage falls and adequate provision should be made for drying out the slab. A concrete surface, which is not adequately smooth, or does not provide even drainage falls, should be screeded. The surface of the concrete should be finished with a wood float to provide a reasonably smooth surface free from ridges and hollows.
- *Aerated concrete* The anchoring depth must be minimum 55 mm. Pullout tests are always recommended in light weight concrete.
- *Profiled metal decking.* Metal decking does not provide a continuous supporting surface for the waterproofing system; therefore metal decking shall always be used in conjunction with a continuous support, e.g. insulation material. The thickness of the metal decking shall not be less than 0.70 mm.
- *Timber boarding, including OSB.* Roof decks of timber boarding should be designed using naturally durable wood or durably treated wood. Any method of treatment should be compatible with the kit components. Boarding should not be less than 18 mm nominal thickness, planed, closely clamped together with tongued and grooved joints or closely butted and secured by nailing with nail heads not protruding.
- *Plywood.* Roof decks of plywood should be specified as "water boil proof" bonded veneer plywood and durable or treated with a compatible preservative and should not be less than 19 mm nominal thickness. Plywood for roof decks may be square edged or tongued and grooved. Longitudinal joints should occur on the centre of supporting joists. Cross joists should be staggered and in the case of square edged boarding additional support is required, such as the use of noggins.

If there is doubt about the suitability of the substrate, e.g. on a construction site, a pullout test on site should be performed to verify the performance of the kit (see Annex D of ETAG 006). Furthermore, care should be taken during design that bimetallic corrosion between metal parts, especially between the substrate and the screw, does not occur. Likewise, the use of insulation materials containing substances which can affect the performance of the fasteners shall be avoided.

Packaging, transport and storage

The fasteners shall be handled and stored with care and be protected from accidental damage.

Execution of works

The fasteners shall be installed in accordance with the installation instructions from Van Roij Fasteners Europe B.V. by competent roofing contractors.

Maintenance and repair

The fasteners need no special maintenance.

When replacing fasteners they shall be approved by the manufacturer and covered by the ETA.

3. PERFORMANCE OF THE PRODUCT AND REFERENCES TO THE METHODS USED FOR ITS ASSESSMENT

3.1 Mechanical resistance and stability (ER1)

Not relevant

3.2 Safety in case of fire (ER2)

Cannot determined for the separate fastening system. The reaction to fire is determined for complete waterproofing kits including the membrane and possibly insulation.

3.3 Hygiene, health and the environment (ER3)

Release of dangerous substances

According to the manufacturer's declaration these products do not contain any dangerous substances according to the EU database.

3.4 Safety and accessibility in use (ER4)

The axial load resistance of the fasteners are given in Annexes 3 and 4. The mean values of all fasteners were determined according to ETAG 006 edition March 2000. The characteristic values according to the amended ETAG 006 (November 2012) are given as far as these are known. The fastening systems do not show unwinding phenomena, taking into account the satisfactory field experience. The wind uplift performance of roof waterproofing kits is mainly determined by the roofing membranes. A large number of full scale wind load tests with bituminous and polymeric membranes using the fastening systems from this ETA have been executed in several supports. The complete test reports may be obtained from VAN ROIJ FASTENERS EUROPE BV.

3.5 Protection against noise (ER5)

Not relevant

3.6 Energy economy and heat retention (ER6)

Not relevant

3.7 Aspects of durability

The metal screws and washers used offer a corrosion resistance of 15 cycles according to EN-ISO 6988 ("Kesternich") and the interpretation of ETAG 006, paragraph D.3.1. The plastic fasteners produced of polypropylene and polyamide meet the aspects of durability according to ETAG 006, paragraph D.3.2.2 (brittleness before and after ageing).

4. ASSESSMENT AND VERIFICATION OF CONSTANCY OF PERFORMANCE (HEREINAFTER AVCP) SYSTEM APPLIED, WITH REFERENCE TO ITS LEGAL BASE

According to Decision 98/143/EC by the European Commission, the system 2+ of assessment and verification of constancy of performance applies. See Annex V to Regulation (EU) No. 305/2011.

5. TECHNICAL DETAILS NECESSARY FOR THE IMPLEMENTATION OF THE AVCP SYSTEM, AS PROVIDED FOR IN THE APPLICABLE EAD

Details concerning extend, type and frequency of the tests or inspections to be performed within the scope of the factory production control shall correspond to the prescribed control plan, deposited at SGS INTRON Certificatie B.V.

Issued in Culemborg on 01-03-2016

By



P. Crucq

TAB Representative

ANNEX 1 SURVEY OF EUROFAST® RANGE

1. Steel Washers

| Eurofast® Code | Dimensions ¹⁾ mm (L x W) or (Ø) x T - Ø hole | Eurofast® Code | Dimensions ¹⁾ mm (L x W) or (Ø) x T - Ø hole |
|-----------------|---|------------------|---|
| - DVP-DF-8240D | 82 x 40 x 1,0 – 7,0 | - DVP-K-4040H | 40 x 40 x 0,8 – 5,0 |
| - DVP-EF-8240D | 82 x 40 x 1,0 – 4,85 | - DVP-EF-7007N | Ø 70 x 0,7 – 6,0 |
| - DVP-DFB-8240D | 82 x 40 x 1,0 – 7,0 | - DVP-EF-7007D | Ø 70 x 0,7 – 6,0 |
| - DVP-EFB-8240D | 82 x 40 x 1,0 – 4,85 | - DVP-EF-7007H | Ø 70 x 0,7 – 6,0 |
| - DVP-DFB-8240H | 82 x 40 x 1,0 – 7,0 | - DVP-EF-7010N | Ø 70 x 1,0 – 7,0 |
| - DVP-EFB-8240H | 82 x 40 x 1,0 – 4,85 | - DVP-EF-7010D | Ø 70 x 1,0 – 7,0 |
| - DVP-DF-8240R | 82 x 40 x 1,0 – 7,0 | - DVP-DF-7070D | 70 x 70 x 1,0 – 7,0 |
| - DVP-EF-8240R | 82 x 40 x 1,0 – 4,85 | - DVP-EF-7070D | 70 x 70 x 1,0 – 4,85 |
| - DVP-DFB-8040D | 80 x 40 x 1,0 – 7,0 | - DVP-EF-8040N | 80 x 40 x 1,0 – 7,0 |
| - DVP-EFB-8040D | 80 x 40 x 1,0 – 4,85 | - DVP-EF-8040H | 80 x 40 x 1,0 – 7,0 |
| - DVPEFZK8240D | 82 x 40 x 1,0 – 4,85 | - DVP-EF-8040XH | 80 x 40 x 1,0 – 7,0 |
| - DVP-EF-4010N | Ø 40 x 1,0 – 6,0 | - DVP-EF-8040D | 80 x 40 x 1,0 – 7,0 |
| - DVPEF4010N3 | Ø 40 x 1,0 – Starsh. | - DVP-EF-7005N/D | Ø 70 x 0,5 – 5,0 |
| - DVP-EF-5010N | Ø 50 x 1,0 – 6,3 | - EDF-BAR-F/FB | 2250x30 – 4,85/8,00 |
| - DVP-EF-5010D | Ø 50 x 1,0 – 6,3 | | |

1) Detailed drawings, included tolerances are deposited in the MTD

2) Characters refer to profile type:

N = normal; D = deep; H = high

2. Plastic Washers

| Eurofast® Code | Dimensions mm (L x W) or (Ø) |
|----------------|------------------------------|
| TWP-8040Lxxx | 80 x 40 |
| TLK-45xxx | Ø 45 |
| TLK-75xxx | Ø 75 |
| TRP-45Lxxx | Ø 45 |
| TRP-75L065 | Ø 75 |
| ISPC-50xxx | Ø 50 |
| ISPC-70N | Ø 70 |

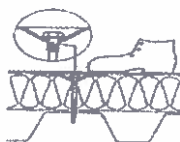
ANNEX 1 SURVEY OF EUROFAST® RANGE

3. Screws

| Eurofast® Code | Dimensions ¹⁾ Ø (mm) L range (mm) | Head | Point | Application |
|-------------------------------|--|--------------------------------------|---------------|-------------------------------|
| - EDS-S | Ø 4,8 30 – 300 | PH 2 Bugle | Sharp 25° | Steel decks 0,7 – 0,88 mm |
| - EDS – BZ/BG | Ø 4,8 70 – 220 | HWH 8 mm | Self drilling | Steel decks 0,7 - 2 x 1,25 mm |
| - EDS – BZT/BGT ²⁾ | Ø 4,8 60 – 300 | HWH 8 mm | Self drilling | Steel decks 0,7 - 2 x 1,25 mm |
| - EDS-BZTR/BGTR | Ø 4,8 120 - 300 | HWH 8 mm | Self drilling | Steel decks 0,7 - 2 x 1,25 mm |
| - EDS-SRB | Ø 4,8 60 – 300 | Oval head Torx25 | Self drilling | Steel decks 0,7 - 2 x 1,25 mm |
| - EDS-B | Ø 4,8 35 – 300 | PH 2 Bugle/ Tx25 Reduced Bugle | Self drilling | Steel decks 0,7 - 2 x 1,25 mm |
| - EFHD | Ø 6,3 60 - 400 | Torx T-25 RSD Bugle | Ricoh point | Concrete |
| - DFCF | Ø 6,3 32 –305 | HWH 8 mm | Nail point | Concrete |
| - EFR | Ø 6,3 28 - 300 | Torx T-25 PH | Blunt | Concrete |
| - GBS A2 | Ø 6,0 80 - 200 | PH 2 Bugle | Sharp 25° | Aerated Concrete |
| - GBS | Ø 6,0 60 - 200 | PH 2 Bugle/ Tx25 Reduced Bugle | Sharp 25° | Aerated Concrete |
| - EDS-H | Ø 5,0 20 - 120 | PH 2 Bugle | Sharp 25° | Wood, min. thickness 19 mm |

1) Detailed drawings, included tolerances are deposited in the MTD.

2) T refers to safe tread



ANNEX 2 INSTALLATION INSTRUCTIONS

| Description | View | Cross-section | Penetration | Tool | RPM | Fastener | Range |
|-------------|------|---------------|-------------|------|-----|----------|-------|
|-------------|------|---------------|-------------|------|-----|----------|-------|

Eurofast Deck Screw With Bugle-head EDS-S

30 - 300

~ 2500

Eurofast Deck Screw With reduced drill-point Reduced Bugle Head EDS-B/SRB

60 - 300

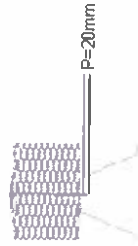
~ 2500

ANNEX 2 INSTALLATION INSTRUCTIONS

| Description | View | Cross-section | Penetration | Tool | RPM | Fastener | Range |
|-------------|------|---------------|-------------|------|-----|----------|-------|
|-------------|------|---------------|-------------|------|-----|----------|-------|



Eurofast Deck Screw
 With reduced Drill-Point,
 HW-Head
EDS-BZ

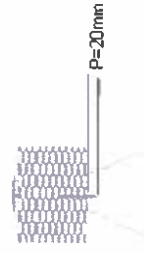


~ 2500



70 - 220

Eurofast Deck Screw
 With reduced Drill-Point,
 HW-Head
 "resistant to foot-traffic"
EDS-BZT/8ZTR



~ 2500



60 - 300

ANNEX 2 INSTALLATION INSTRUCTIONS

| Description | View | Cross-section | Penetration | Tool | RPM | Fastener | Range |
|-------------|------|---------------|-------------|------|-----|----------|-------|
|-------------|------|---------------|-------------|------|-----|----------|-------|

Eurofast Deck Screw

With S-Point,
Bugle head

EDS-H



~ 2500



20 - 120

Eurofast Deck Screw With S-Point,
Reduced Bugle
Head GBS/A2



~ 1000



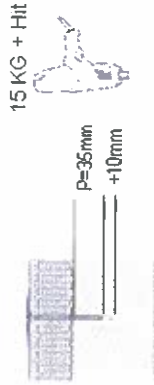
60 - 200

ANNEX 2 INSTALLATION INSTRUCTIONS

| Description | View | Cross-section | Penetration | Tool | RPM | Fastener | Range |
|-------------|------|---------------|-------------|------|-----|----------|-------|
|-------------|------|---------------|-------------|------|-----|----------|-------|



Eurofast Heavy Duty Screw
 With Ricoh-Point Reduced
 Bugle Head EFHD



15 KG + Hit

~ 1000



ANNEX 2 INSTALLATION INSTRUCTIONS

| Description | View | Cross-section | Penetration | Tool | RPM | Fastener | Range |
|--|------|---------------|-------------------------|--------------------|--------|----------|----------|
| <p>Eurofast Nail-Plug System</p> <p>ISPC</p> | | | <p>P=35mm +10mm</p> | | | | 45 - 410 |
| <p>Ruffnex Concrete screw</p> <p>With diamond drill point</p> <p>HW-Head</p> <p>DFCF</p> | | | <p>P=35mm +10mm</p> | <p>15 KG + Hit</p> | ~ 1000 | | 32 - 305 |
| <p>Eurofast Concrete Screw</p> <p>With blunt Point</p> <p>Cylinderhead</p> <p>EFR</p> | | | <p>P=35mm +10mm</p> | <p>15 KG + Hit</p> | ~ 1000 | | 28 - 300 |

ANNEX 3 AXIAL LOAD RESISTANCE – MEAN VALUES

Page 14 of 146 pages – European Technical Approval Eurofast® ETA-06/0007 issued on 26-01-2012

| WASHERS | SCREWS | | | | | | | | | | | |
|------------------------------|---------------|------------------|---------------|---------|-------|------|------------------|------|------|-------|------|-------|
| | EDS-S | EDS-BZ/BG (T) | EDS-BZTR/BGTR | EDS-SRB | EDS-B | ISPC | EFHD | DFCF | EFR | GBSA2 | GBS | EDS-H |
| STEEL WASHERS | | | | | | | | | | | | |
| DVP-EF/DF-8240D/R | | 1390 | 1220 | | | | 2790 | 2790 | 1820 | | | |
| DVP-EFB/DFB-8240D/H | 1410 | 1410 | 1220 | 1180 | 1410 | | 1410 | 1410 | 1410 | 1410 | 1410 | 1410 |
| DVP-EFB/DFB-8040D | 1430 | 1430 | 1220 | 1180 | 1430 | | 1430 | 1430 | 1430 | 1430 | 1430 | 1430 |
| DVP-EFZK-8240D | | 1390 | 1220 | | | | 1390 | | | | | |
| DVP-EF-4010N/N3 | | | | | | | | | | | | 1460 |
| DVP-EF-5010N/D | 1510 | 1440 | 1220 | 1180 | 1460 | | 1510 | 2400 | 1820 | 2400 | 1510 | 1460 |
| DVP-K-4040H | 1520 | | | 1180 | | | | | | | | |
| DVP-EF-7007N/D/H | 1520 | 1440 | 1220 | 1180 | 1460 | | 1750 | 1820 | 1820 | 1750 | 1750 | 1460 |
| DVP-EF-7010 N/D | 1520 | 1440 | 1220 | 1180 | 1460 | | 1520 | 1520 | 1520 | 1520 | 1520 | 1460 |
| DVP-EF/DF-7070 D | | 1440 | 1220 | | | | | 1440 | | | | |
| DVP-EF-8040D/N/H/XH | 1570 | 1440 | 1220 | 1180 | 1410 | | 1820 | 1820 | 1820 | 1820 | 1750 | 1460 |
| DVP-EF-7005D/N | 1400 | | | 1180 | 1400 | | | | | | | 1400 |
| EDF-BAR-F/IB | 1190 | 1190 | 1190 | 1180 | 1190 | | 1190 | | 1190 | 1190 | 1190 | 1190 |
| PLASTIC WASHERS | | | | | | | | | | | | |
| TWP-8040Lxxx | 1360 | | | 1180 | 1360 | | | | | | | 1360 |
| TLK-45xxx | 1510 | | | 1180 | 1280 | | 1790 | | 1820 | 1820 | 1710 | 1480 |
| TLK-75xxx | 1390 | | | 1180 | 1390 | | 1390 | | 1390 | 1390 | 1390 | 1390 |
| TRP-45Lxxx | 1380 | | | 1180 | 1380 | | | | | | | 1380 |
| TRP-75L065 | 1310 | | | 1180 | 1310 | | | | | | | 1310 |
| PLUG PIN COMBINATIONS | | | | | | | | | | | | |
| ISPC-50xxx | | | | | | | | | | | 2120 | |
| ISPC-70N | | | | | | | | | | | 2170 | |
| SUBSTRUCTURE | Steel deck | | | | | | | | | | | |
| | 0,7 – 0,88 mm | 0,7 – 2x 1,25 mm | | | | | | | | | | |
| | Concrete | | | | | | Aerated Concrete | | | Wood | | |

= possible combination
= no combination

ANNEX 4 AXIAL LOAD RESISTANCE – CHARACTERISTIC VALUES

Page 15 of 146 pages – European Technical Approval Eurofast® ETA-06/0007 issued on 26-01-2012

| WASHERS | SCREWS | | | | | | | | | | | |
|------------------------------|---------------|------------------|---------------|---------|------------------|------|------|------|------|-------|------|-------|
| | EDS-S | EDS-BZ/BG (T) | EDS-BZTR/BGTR | EDS-SRB | EDS-B | ISPC | EFHD | DFCF | EFR | GBSA2 | GBS | EDS-H |
| STEEL WASHERS | | | | | | | | | | | | |
| DVP-EF/DF-8240D/R | | 1) | 1) | | | | 1) | 1) | 1) | | | |
| DVP-EFB/DFB-8240D/H | 1) | 1) | 1) | 1) | 1) | | 1) | 1) | 1) | 1) | 1) | 1) |
| DVP-EFB/DFB-8040D | 1) | 1) | 1) | 1) | 1) | | 1) | 1) | 1) | 1) | 1) | 1) |
| DVP-EFZK-8240D | | 1) | 1) | | | | 1) | | | | | |
| DVP-EF-4010N/N3 | | | | | | | | | | | | 1) |
| DVP-EF-5010N/D | 1260 | 1) | 1090 | 1600 | 1160 | | 1420 | 1780 | 1680 | 1780 | 1330 | 1160 |
| DVP-K-4040H | 1) | | | | | | | | | | | |
| DVP-EF-7007N/D/H | 1260 | 1) | 1090 | 1000 | 1160 | | 1420 | 1820 | 1680 | 1780 | 1330 | 1160 |
| DVP-EF-7010 N/D | 1) | 1) | 1) | 1) | 1) | | 1) | 1) | 1) | 1) | 1) | 1) |
| DVP-EF/DF-7070 D | | 1) | | | | | | 1) | | | | |
| DVP-EF-8040D/N/H/XH | 1060 | 1) | 1050 | 1000 | 1050 | | 1820 | 1050 | 1680 | 1780 | 1050 | 1060 |
| DVP-EF-7005D/N | 1260 | | | 1000 | 1160 | | | | | | | 1160 |
| EDF-BAR-F/FB | 1090 | 1090 | 1090 | 1000 | 1090 | | 1090 | | 1090 | 1090 | 1090 | 1090 |
| PLASTIC WASHERS | | | | | | | | | | | | |
| TWP-8040Lxxx | 1030 | | | 1000 | 1030 | | | | | | | 1030 |
| TLK-45xxx | 1220 | | | 1000 | 970 | | 1420 | | 1680 | 1680 | 1150 | 990 |
| TLK-75xxx | 1020 | | | 1000 | 1020 | | 1020 | | 1020 | 1020 | 1020 | 1020 |
| TRP-45Lxxx | 1160 | | | 1000 | 1160 | | | | | | | 1160 |
| TRP-75L065 | 930 | | | 930 | 930 | | | | | | | 930 |
| PLUG PIN COMBINATIONS | | | | | | | | | | | | |
| ISPC-50xxx | | | | | | | | | | | | |
| ISPC-70N | | | | | | | | | | | | |
| SUBSTRUCTURE | 0,7 – 0,88 mm | Steel deck | | | | | | | | | | |
| | | 0,7 – 2x 1,25 mm | | | | | | | | | | |
| | | Concrete | | | Aerated Concrete | | | Wood | | | | |

1) Characteristic value not determined

= possible combination
= no combination

ANNEX 5 DRAWINGS

Page 16 of 151 pages – European Technical Approval Eurofast® ETA-06/0007 issued on 01-03-2016

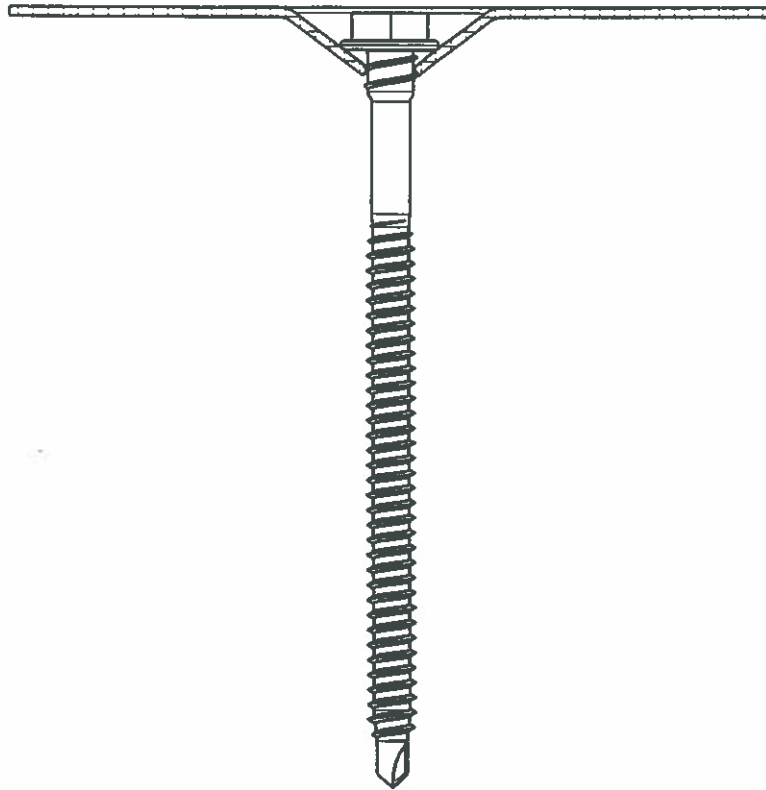
CONTENTS

| EUROFAST® FASTENER | EUROFAST® WASHER | PAGE |
|------------------------|------------------|------|
| DVP EF/DF 8240 D | EDS-BZT/BGT | 18 |
| DVP EF/DF 8240 D | EDS-BZTR/BGTR | 19 |
| DVP EF/DF 8240 D | EFHD | 20 |
| DVP EF/DF 8240 D | DFCF | 21 |
| DVP EF/DF 8240 D | EFR | 22 |
| DVP EFB/DFB 8240 D/H | EDS-S | 23 |
| DVP EFB/DFB 8240 D/H | EDS-BZT/BGT | 24 |
| DVP EFB/DFB 8240 D/H | EDS-BZTR/BGTR | 25 |
| DVP EFB/DFB 8240 D/H/R | EDS-SRB | 26 |
| DVP EFB/DFB 8240 D/H/R | EDS-B | 27 |
| DVP EFB/DFB 8240 D/H | EFHD | 28 |
| DVP EFB/DFB 8240 D/H | DFCF | 29 |
| DVP EFB/DFB 8240 D/H | EFR | 30 |
| DVP EFB/DFB 8240 D/H | GBS A2 | 31 |
| DVP EFB/DFB 8240 D/H | GBS | 32 |
| DVP EFB/DFB 8240 D/H | EDS-H | 33 |
| DVP EFB/DFB 8040 D | EDS-S | 34 |
| DVP EFB/DFB 8040 D | EDS-BZT/BGT | 35 |
| DVP EFB/DFB 8040 D | EDS-BZTR/BGTR | 36 |
| DVP EFB/DFB 8040 D | EDS-SRB | 37 |
| DVP EFB/DFB 8040 D | EDS-B | 38 |
| DVP EFB/DFB 8040 D | EFHD | 39 |
| DVP EFB/DFB 8040 D | DFCF | 40 |
| DVP EFB/DFB 8040 D | EFR | 41 |
| DVP EFB/DFB 8040 D | GBS A2 | 42 |
| DVP EFB/DFB 8040 D | GBS | 43 |
| DVP EFB/DFB 8040 D | EDS-H | 44 |
| DVP EFZK 8240D | EDS-BZT/BGT | 45 |
| DVP EFZK 8240D | EDS-BZTR/BGTR | 46 |
| DVP EFZK 8240D | DFCF | 47 |
| DVP EF 4010N/N3 | EDS-H | 48 |
| DVP EF 5010N/D | EDS-S | 49 |
| DVP EF 5010N/D | EDS-BZT/BGT | 50 |
| DVP EF 5010N/D | EDS-BZTR/BGTR | 51 |
| DVP EF 5010N/D | EDS-SRB | 52 |
| DVP EF 5010N/D | EDS-B | 53 |
| DVP EF 5010N/D | EFHD | 54 |
| DVP EF 5010N/D | DFCF | 55 |
| DVP EF 5010N/D | EFR | 56 |
| DVP EF 5010N/D | GBS A2 | 57 |
| DVP EF 5010N/D | GBS | 58 |
| DVP EF 5010N/D | EDS-H | 59 |
| DVP K 4040H | EDS-S | 60 |
| DVP EF 7007 N/D | EDS-S | 61 |
| DVP EF 7007 N/D | EDS-BZT/BGT | 62 |
| DVP EF 7007 N/D | EDS-BZTR/BGTR | 63 |
| DVP EF 7007 N/D | EDS-SRB | 64 |
| DVP EF 7007 N/D | EDS-B | 65 |
| DVP EF 7007 N/D | EFHD | 66 |
| DVP EF 7007 N/D | DFCF | 67 |
| DVP EF 7007 N/D | EFR | 68 |
| DVP EF 7007 N/D | GBS A2 | 69 |
| DVP EF 7007 N/D | GBS | 70 |
| DVP EF 7007 N/D | EDS-H | 71 |
| DVP EF 7010 N/D | EDS-S | 72 |
| DVP EF 7010 N/D | EDS-BZT/BGT | 73 |
| DVP EF 7010 N/D | EDS-BZTR/BGTR | 74 |
| DVP EF 7010 N/D | EDS-SRB | 75 |
| DVP EF 7010 N/D | EDS-B | 76 |
| DVP EF 7010 N/D | EFHD | 77 |
| DVP EF 7010 N/D | DFCF | 78 |
| DVP EF 7010 N/D | EFR | 79 |
| DVP EF 7010 N/D | GBS A2 | 80 |
| DVP EF 7010 N/D | GBS | 81 |
| DVP EF 7010 N/D | EDS-H | 82 |
| DVP EF 7070D | EDS-BZT/BGT | 83 |

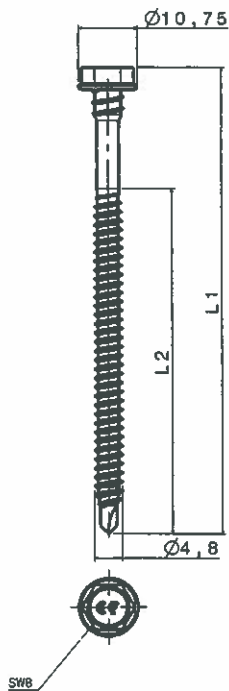
ANNEX 5 DRAWINGS

Page 17 of 151 pages – European Technical Approval Eurofast® ETA-06/0007 issued on 01-03-2016

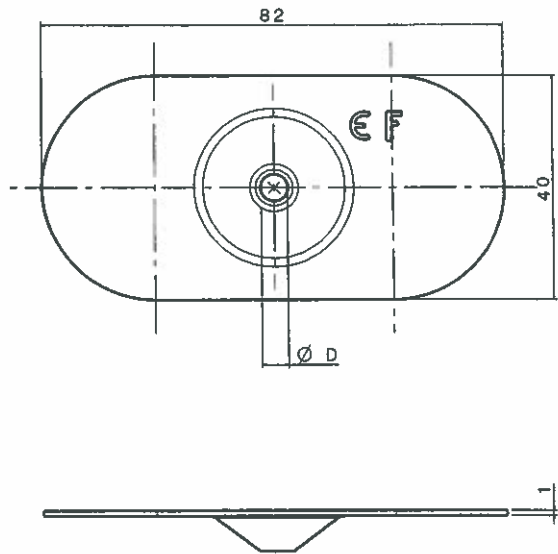
| EUROFAST® FASTENER | EUROFAST® WASHER | PAGE |
|--------------------|------------------|------|
| DVP EF 7070D | EDS-BZTR/BGTR | 84 |
| DVP EF 7070D | DFCF | 85 |
| DVP EF 8040D | EDS-S | 86 |
| DVP EF 8040N/H/XH | EDS-S | 87 |
| DVP EF 8040D | EDS-BZT/BGT | 88 |
| DVP EF 8040N/H/XH | EDS-BZT/BGT | 89 |
| DVP EF 8040D | EDS-BZTR/BGTR | 90 |
| DVP EF 8040N/H/XH | EDS-BZTR/BGTR | 91 |
| DVP EF 8040D | EDS-SRB | 92 |
| DVP EF 8040N/H/XH | EDS-SRB | 93 |
| DVP EF 8040D | EDS-B | 94 |
| DVP EF 8040N/H/XH | EDS-B | 95 |
| DVP EF 8040D | EFHD | 96 |
| DVP EF 8040N/H/XH | EFHD | 97 |
| DVP EF 8040D | DFCF | 98 |
| DVP EF 8040N/H/XH | DFCF | 99 |
| DVP EF 8040D | EFR | 100 |
| DVP EF 8040N/H/XH | EFR | 101 |
| DVP EF 8040D | GBS A2 | 102 |
| DVP EF 8040N/H/XH | GBS A2 | 103 |
| DVP EF 8040D | GBS | 104 |
| DVP EF 8040N/H/XH | GBS | 105 |
| DVP EF 8040D | EDS-H | 106 |
| DVP EF 8040N/H/XH | EDS-H | 107 |
| DVP EF 7005N/D | EDS-S | 108 |
| DVP EF 7005N/D | EDS-SRB | 109 |
| DVP EF 7005N/D | EDS-B | 110 |
| DVP EF 7005N/D | EDS-H | 111 |
| EDF BAR F/FB | EDS-S | 112 |
| EDF BAR F/FB | EDS-BZT/BGT | 113 |
| EDF BAR F/FB | EDS-BZTR/BGTR | 114 |
| EDF BAR F/FB | EDS-SRB | 115 |
| EDF BAR F/FB | EDS-B | 116 |
| EDF BAR F/FB | EFHD | 117 |
| EDF BAR F/FB | EFR | 118 |
| EDF BAR F/FB | GBS A2 | 119 |
| EDF BAR F/FB | GBS | 120 |
| EDF BAR F/FB | EDS-H | 121 |
| TWP 8040 | EDS-S | 122 |
| TWP 8040 | EDS-SRB | 123 |
| TWP 8040 | EDS-B | 124 |
| TWP 8040 | EDS-H | 125 |
| TLK Ø45 | EDS-S | 126 |
| TLK Ø45 | EDS-SRB | 127 |
| TLK Ø45 | EDS-B | 128 |
| TLK Ø45 | EFHD | 129 |
| TLK Ø45 | EFR | 130 |
| TLK Ø45 | GBSA2 | 131 |
| TLK Ø45 | GBS | 132 |
| TLK Ø45 | EDS-H | 133 |
| TLK Ø75 | EDS-S | 134 |
| TLK Ø75 | EDS-SRB | 135 |
| TLK Ø75 | EDS-B | 136 |
| TLK Ø75 | EFHD | 137 |
| TLK Ø75 | EFR | 138 |
| TLK Ø75 | GBS A2 | 139 |
| TLK Ø75 | GBS | 140 |
| TLK Ø75 | EDS-H | 141 |
| TRP Ø45 | EDS-S | 142 |
| TRP Ø45 | EDS-SRB | 143 |
| TRP Ø45 | EDS-B | 144 |
| TRP Ø45 | EDS-H | 145 |
| TRP Ø75 | EDS-S | 146 |
| TRP Ø75 | EDS-SRB | 147 |
| TRP Ø75 | EDS-B | 148 |
| TRP Ø75 | EDS-H | 149 |
| ISPC | ISPC nail | 150 |
| ISPC-70N | ISPC nail | 151 |



VRF Eurofast EDS-BZT/BGT



VRF Eurofast DVP-EF/DF-8240D

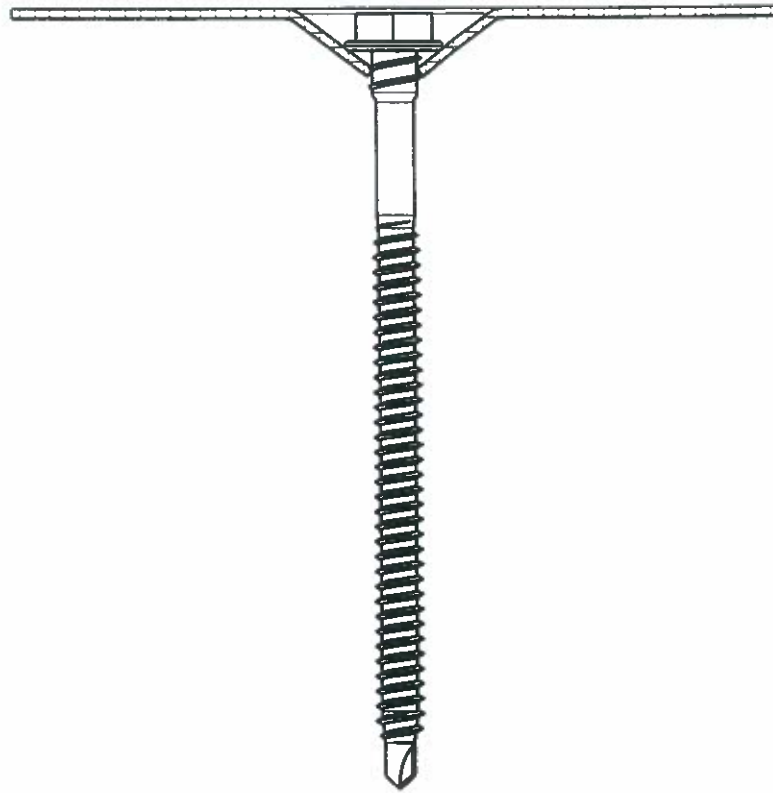


Van Roij Fasteners Europe b.v.

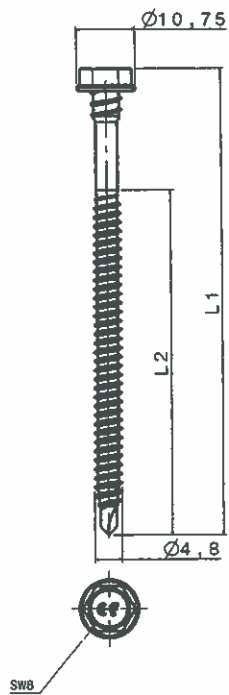
Combination:

Eurofast DVP-EF/DF-8240D
Eurofast EDS-BZT/BGT $\varnothing 4,8 \times L$

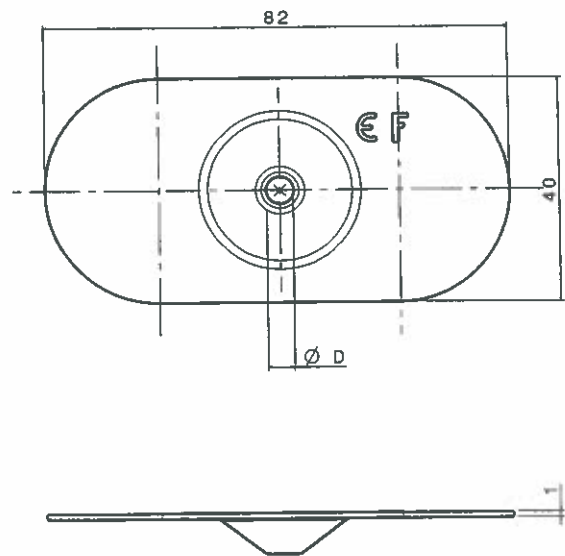
Eurofast® ETA-06/0007
01-03-2016 18 / 151



VRF Eurofast EDS-BZTR/BGTR



VRF Eurofast DVP-EF/DF-8240D

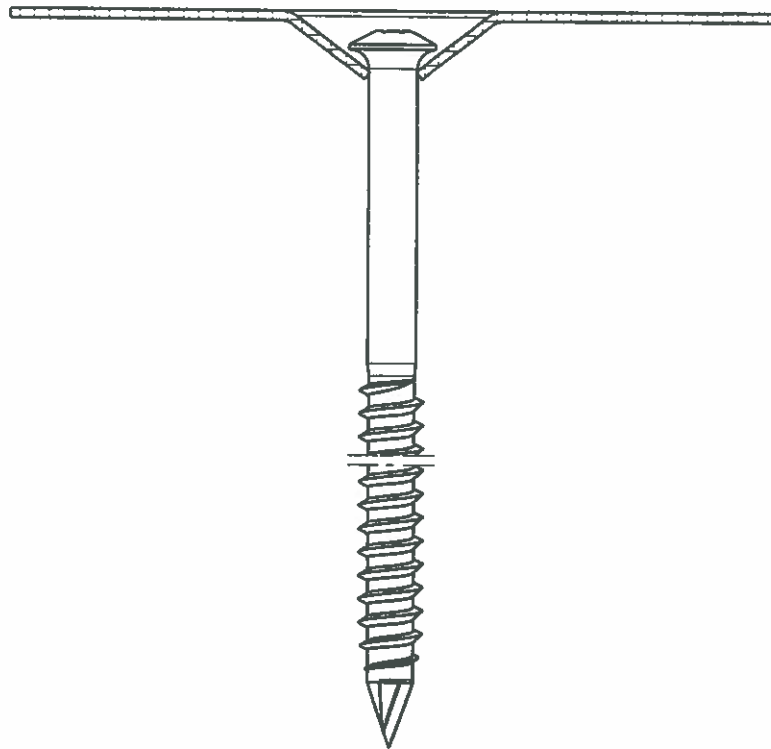


Van Roij Fasteners Europe b.v.

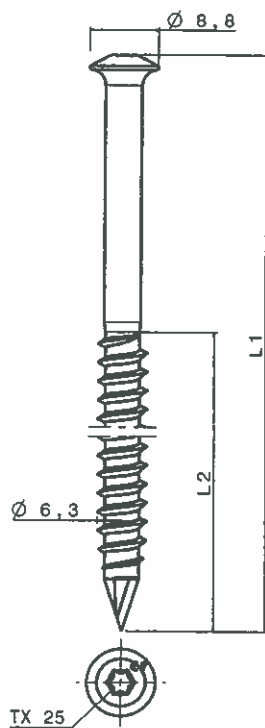
Combination:

Eurofast DVP-EF/DF-8240D
Eurofast EDS-BZTR/BGTR $\varnothing 4,8 \times L$

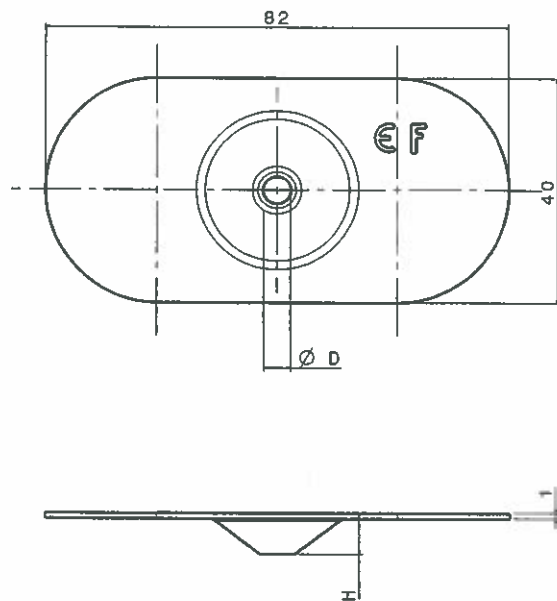
Eurofast® ETA-06/0007
01-03-2016 19/151



VRF Eurofast EFHD



VRF Eurofast DVP-EF/DF-8240D

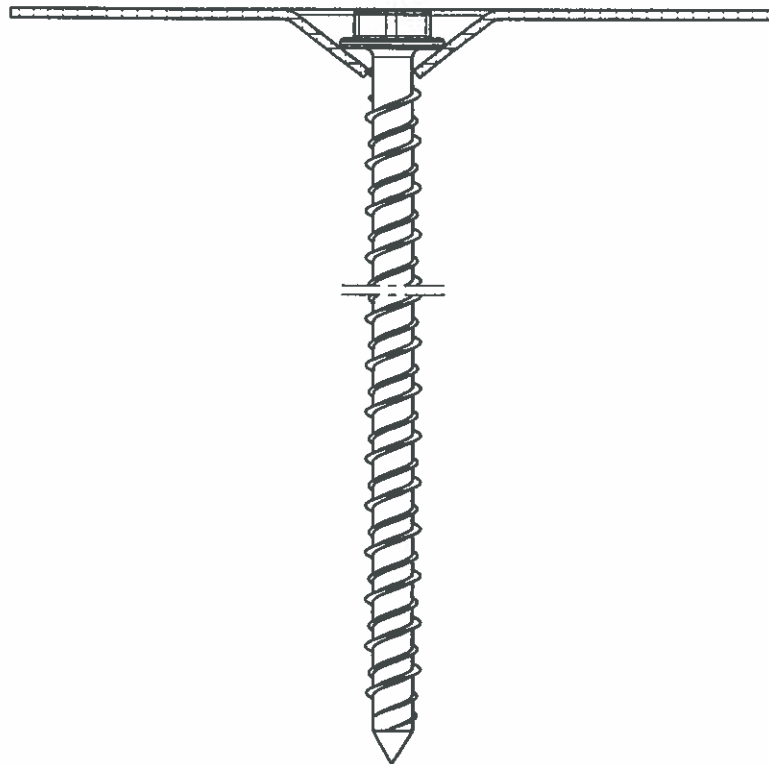


Van Roij Fasteners Europe b.v.

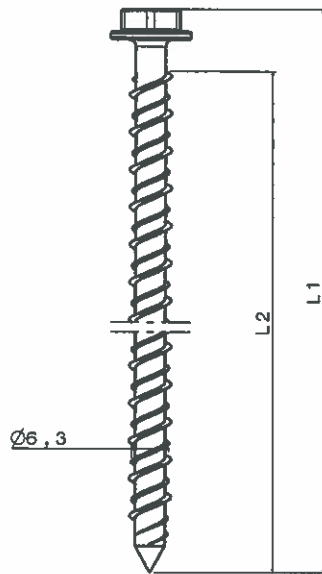
Combination:

Eurofast DVP-EF/DF-8240D
Eurofast EFHD $\varnothing 6,3 \times L$

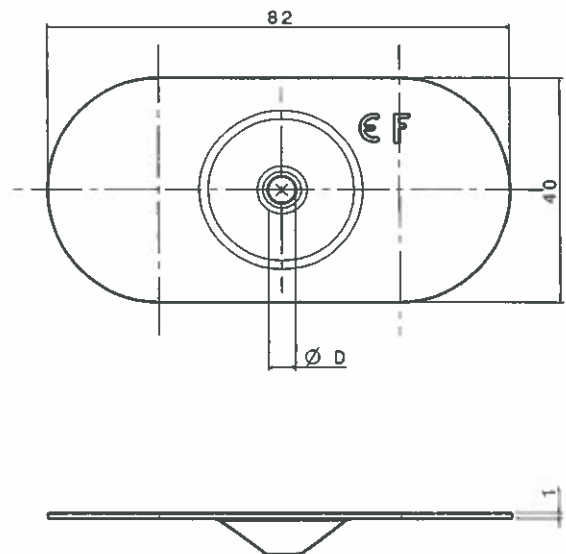
Eurofast® ETA-06/0007
01-03-2016 20/151



VRF Eurofast DFCF



VRF Eurofast DVP-EF/DF-8240D

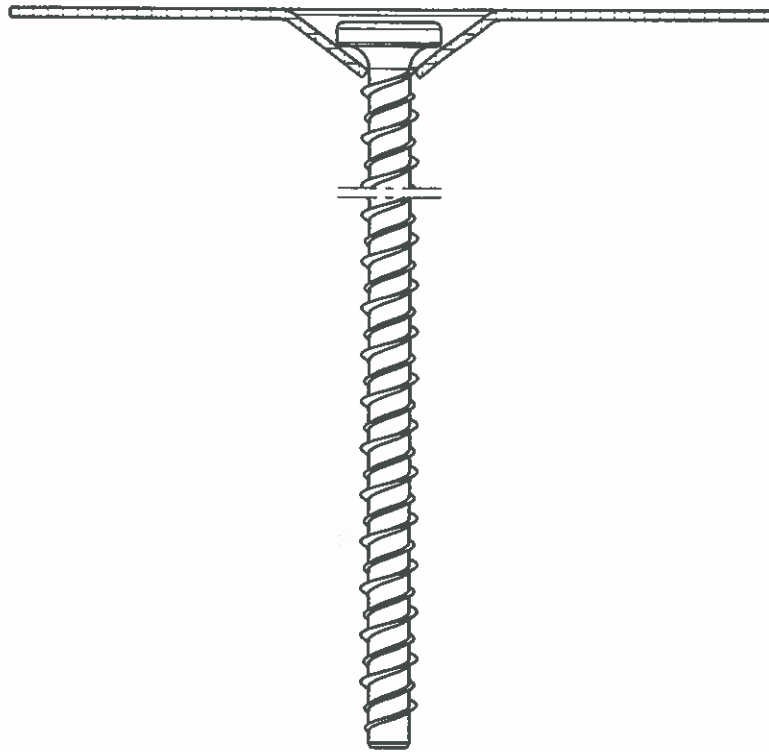


Van Roij Fasteners Europe b.v.

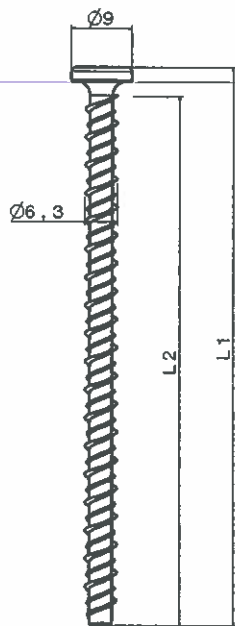
Combination:

Eurofast DVP-EF/DF-8240D
Eurofast DFCF $\phi 6,3 \times L$

Eurofast® ETA-06/0007
01-03-2016 21 /151

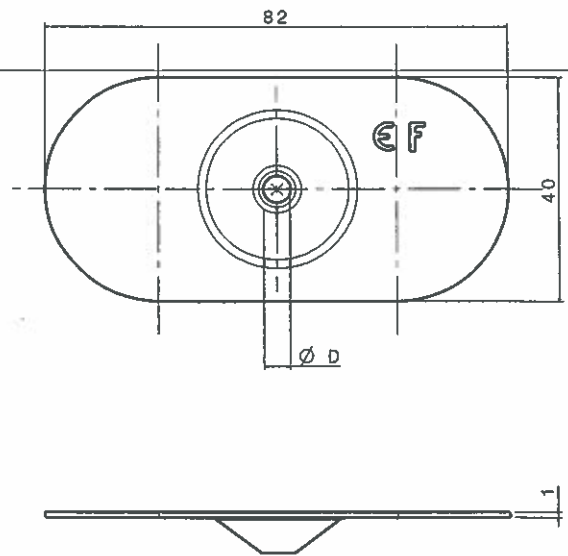


VRF Eurofast EFR



TX25

VRF Eurofast DVP-EF/DF-8240D

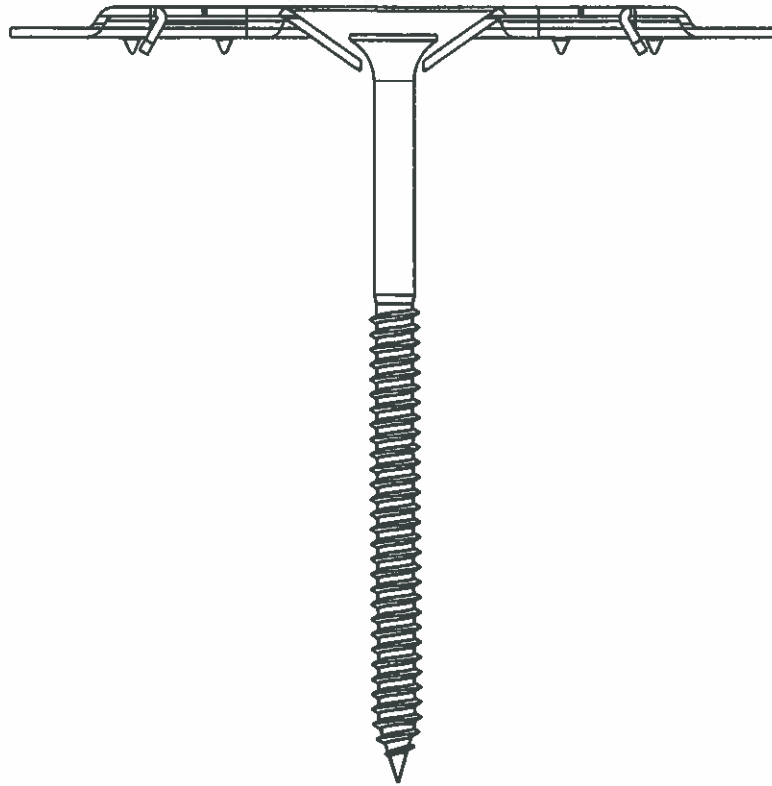


Van Roij Fasteners Europe b.v.

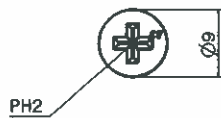
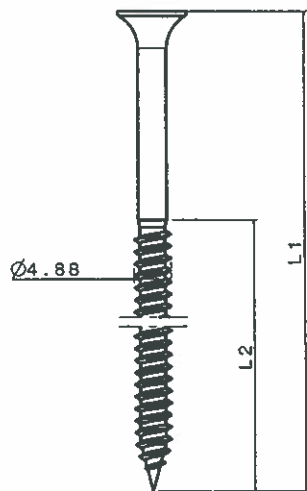
Combination:

Eurofast DVP-EF/DF-8240D
Eurofast EFR $\text{Ø} 6,3 \times L$

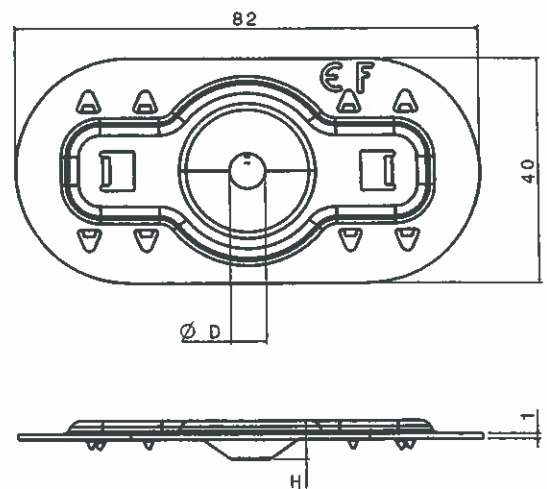
Eurofast® ETA-06/0007
01-03-2016 22 / 151



VRF Eurofast EDS-S



VRF Eurofast
DVP-EFB/DFB-8240D/H

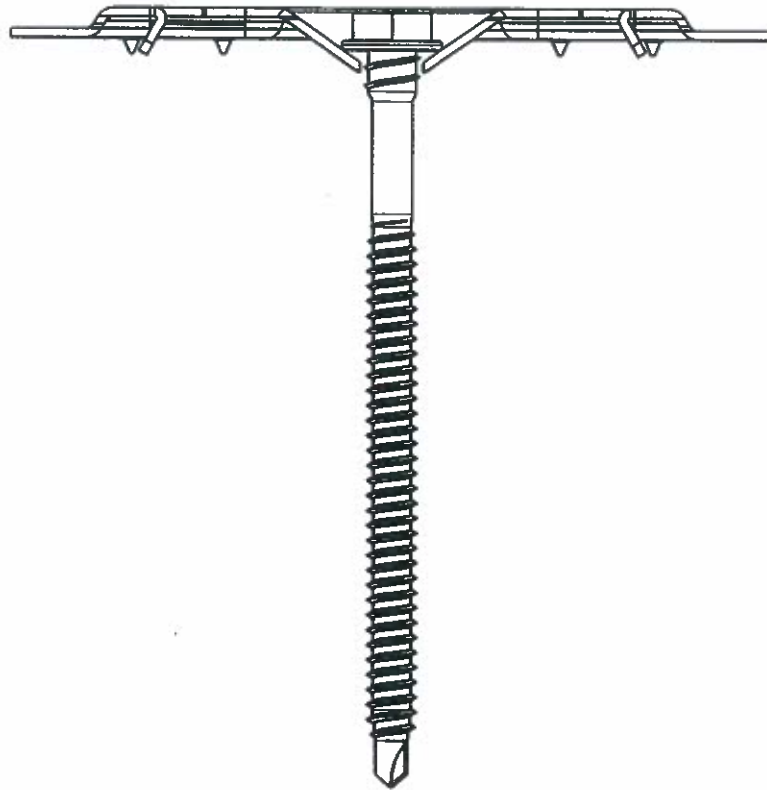


van Roij Fasteners Europe b.v.

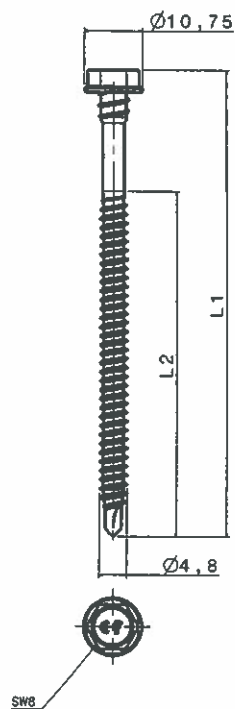
Combination:

Eurofast DVP-EFB/DFB-8240D/H
Eurofast EDS-S $\Phi 4,8 \times L$

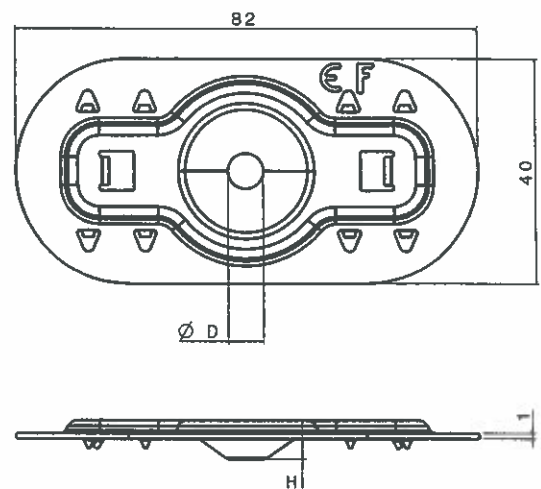
Eurofast® ETA-06/0007
01-03-2016 23 /151



VRF Eurofast EDS-BZT/BGT



VRF Eurofast
DVP-EFB/DFB-8240D/H

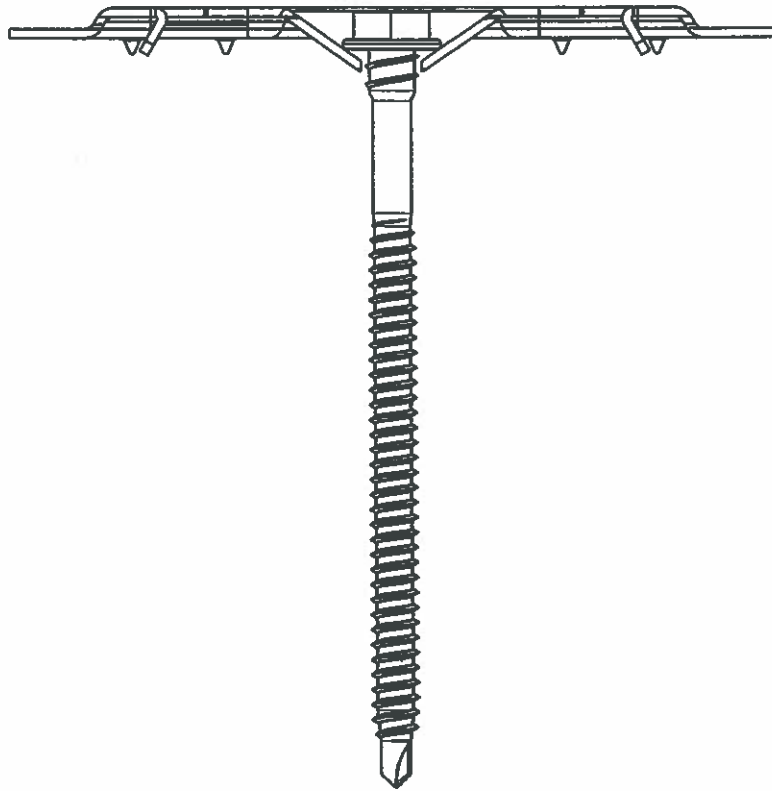


van Roij Fasteners Europe b.v.

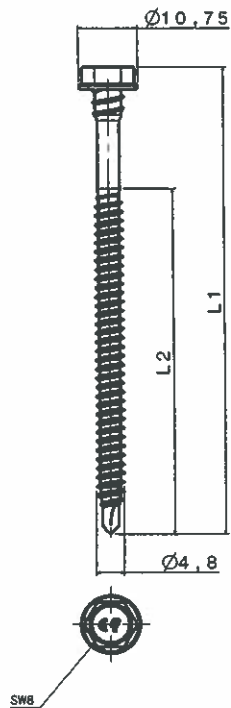
Combination:

Eurofast DVP-EFB/DFB-8240D/H
Eurofast EDS-BZT/BGT $\varnothing 4,8 \times L$

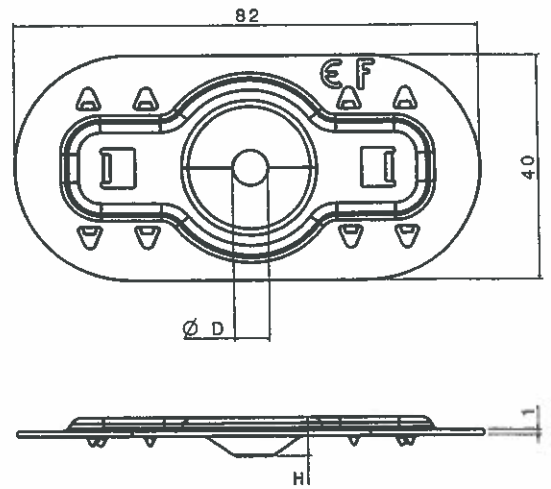
Eurofast® ETA-06/0007
01-03-2016 24 / 151



VRF Eurofast EDS-BZTR/BGTR



VRF Eurofast
DVP-EFB/DFB-8240D/H

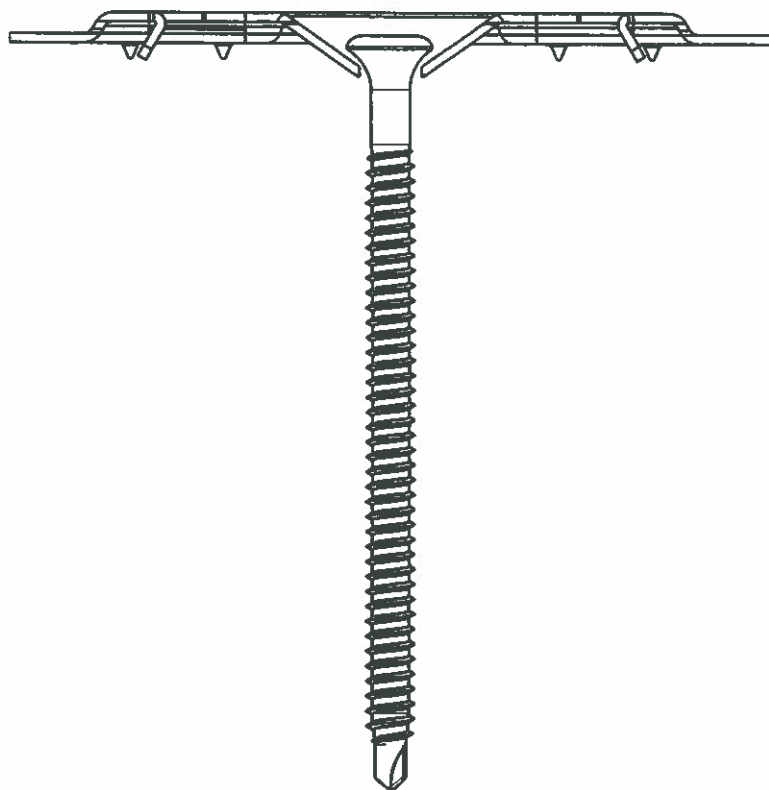


van Roij Fasteners Europe b.v.

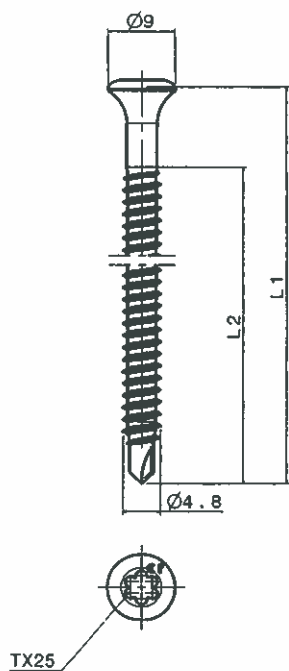
Combination:

Eurofast DVP-EFB/DFB-8240D/H
Eurofast EDS-BZTR/BGTR $\varnothing 4,8 \times L$

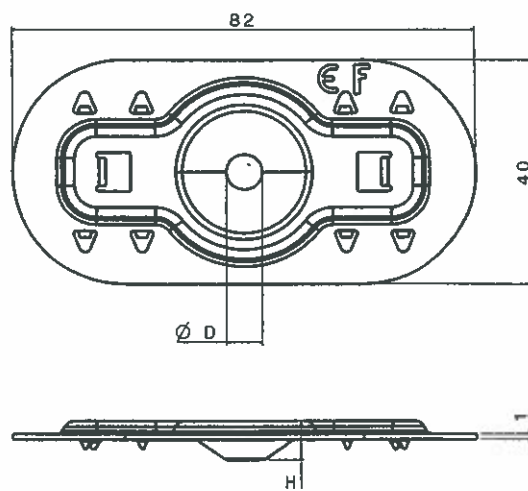
Eurofast® ETA-06/0007
01-03-2016 25 / 151



VRF Eurofast EDS-SRB



VRF Eurofast
DVP-EFB/DFB-8240D/H/R

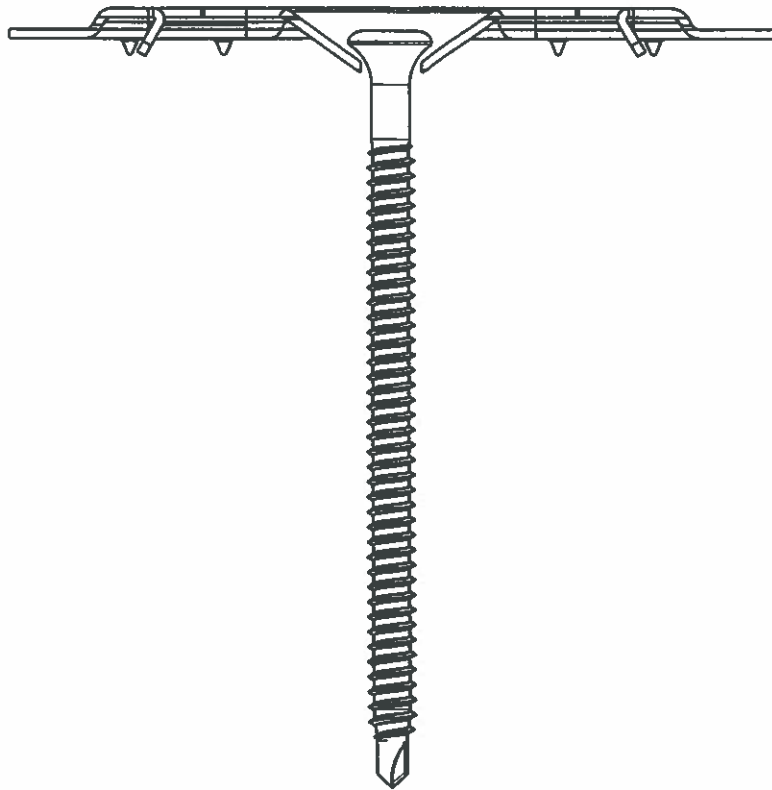


van Roij Fasteners Europe b.v.

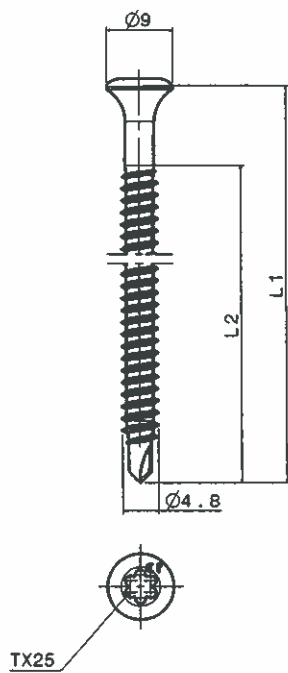
Combination:

Eurofast DVP-EFB/DFB-8240D/H/R
Eurofast EDS-SRB $\varnothing 4,8 \times L$

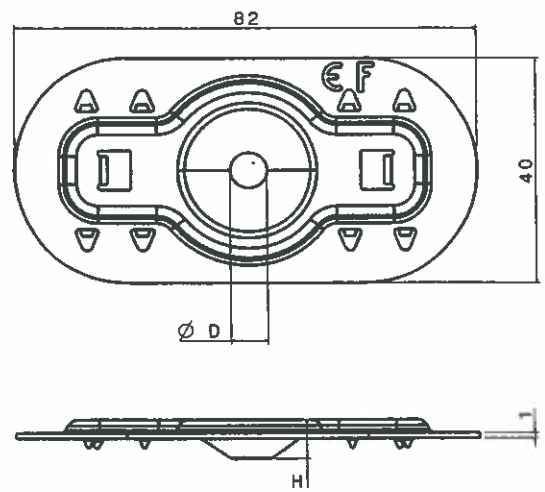
Eurofast® ETA-06/0007
01-03-2016 26 /151



VRF Eurofast EDS-B



VRF Eurofast
DVP-EFB/DFB-8240D/H/R

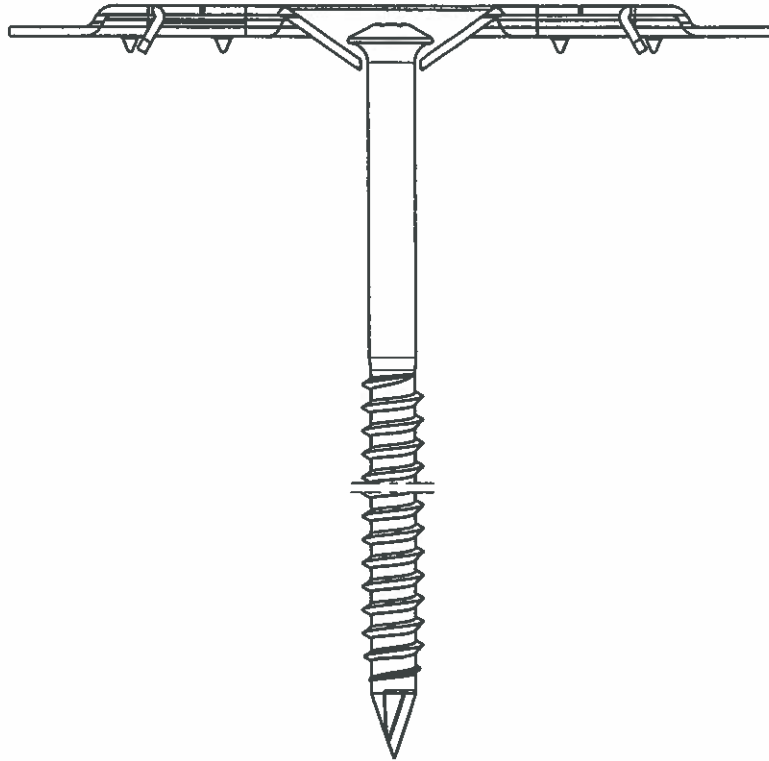


van Roij Fasteners Europe b.v.

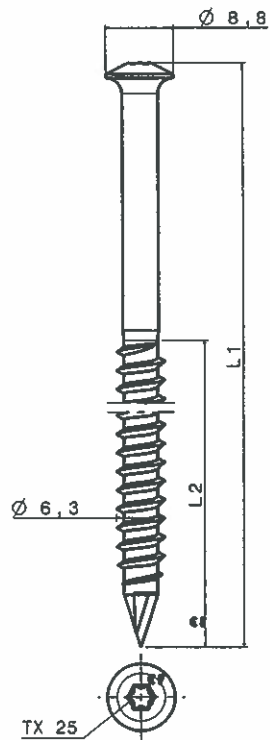
Combination:

Eurofast DVP-EFB/DFB-8240D/H/R
Eurofast EDS-B $\varnothing 4,8 \times L$

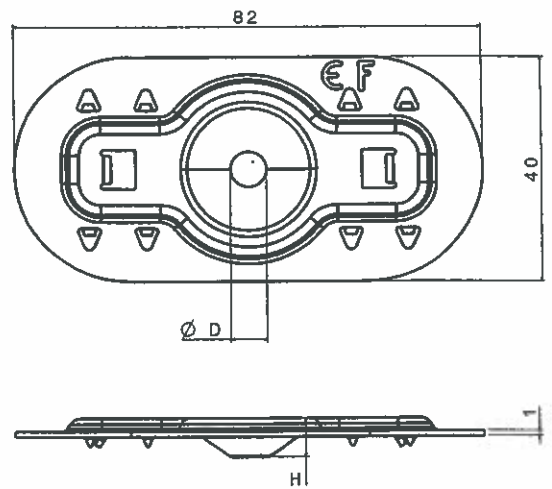
Eurofast® ETA-06/0007
01-03-2016 27 /151



VRF Eurofast EFHD



VRF Eurofast
DVP-EFB/DFB-8240D/H

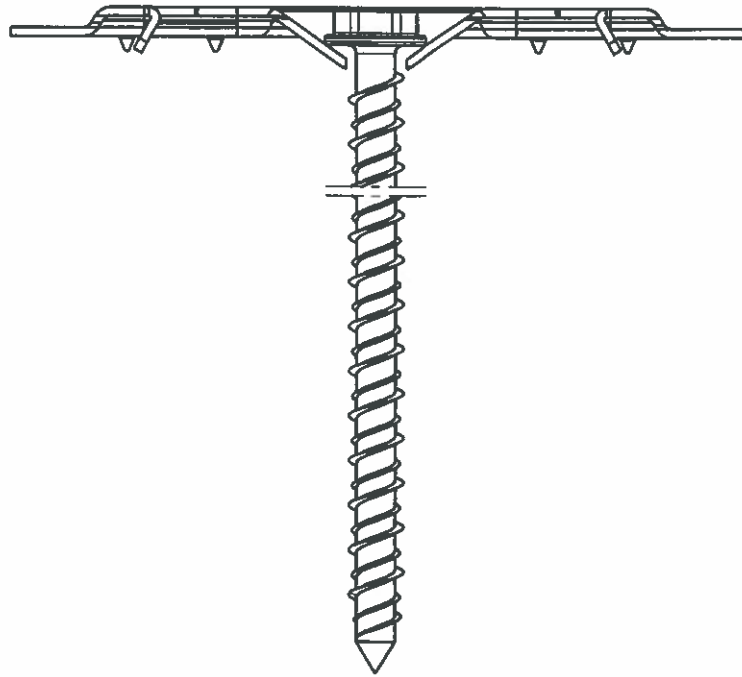


van Roij Fasteners Europe b.v.

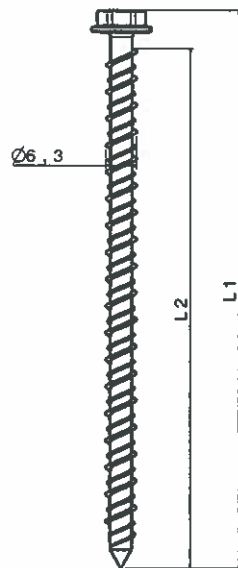
Combination:

Eurofast DVP-EFB/DFB-8240D/H
Eurofast EFHD $\varnothing 6,3 \times L$

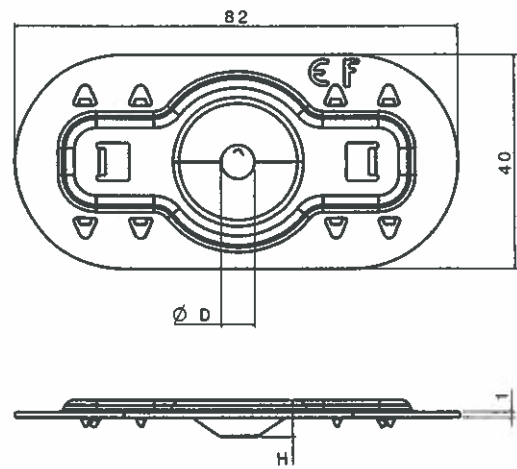
Eurofast® ETA-06/0007
01-03-2016 28 / 151



VRF Eurofast DFCF



VRF Eurofast
DVP-EFB/DFB-8240D/H

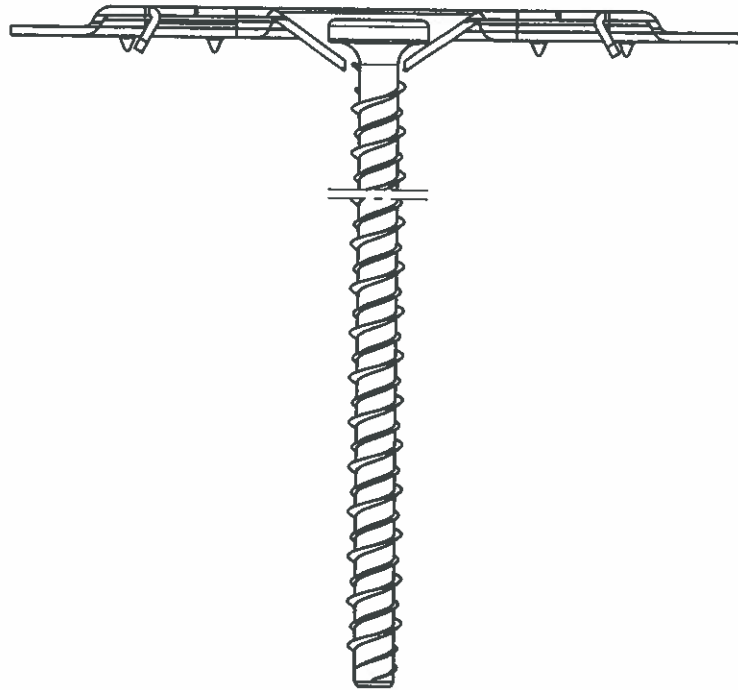


van Roij Fasteners Europe b.v.

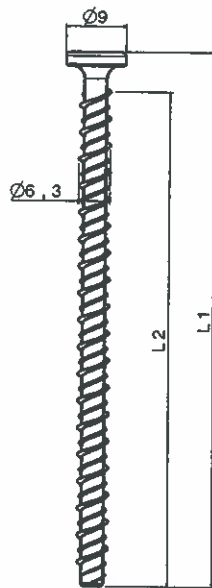
Combination:

Eurofast DVP-EFB/DFB-8240D/H
Eurofast DFCF $\varnothing 6,3 \times L$

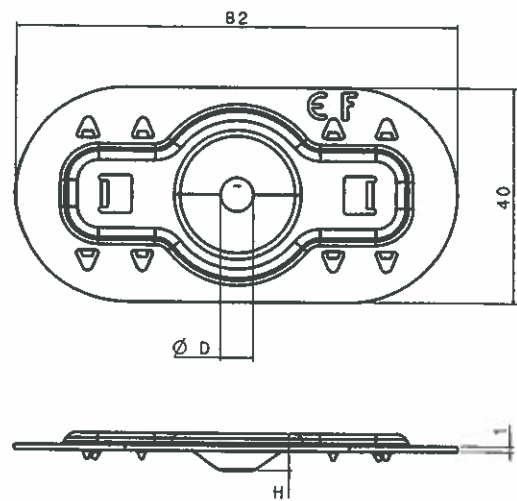
Eurofast® ETA-06/0007
01-03-2016 29 / 151



VRF Eurofast EFR



VRF Eurofast
DVP-EFB/DFB-8240D/H

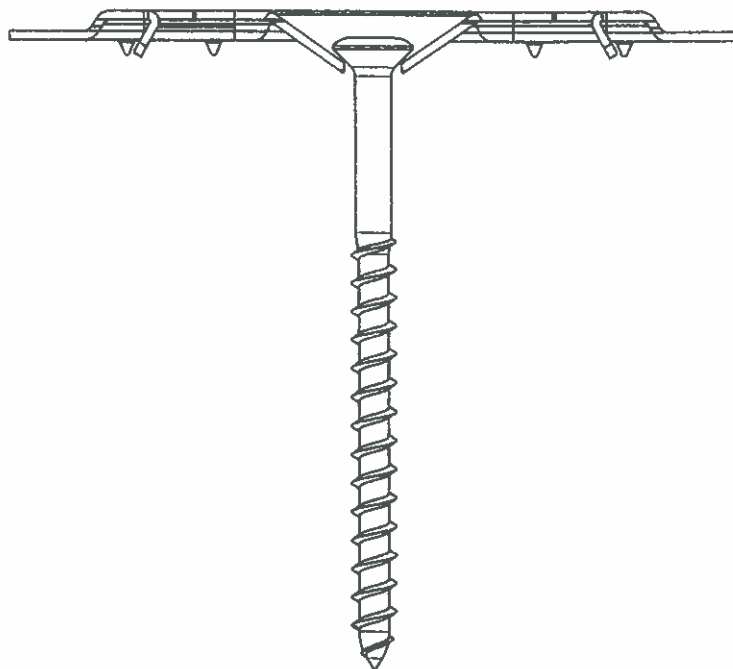


van Roij Fasteners Europe b.v.

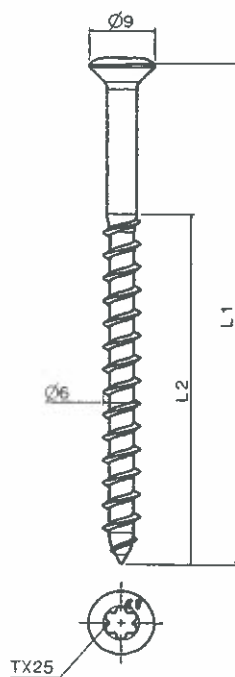
Combination:

Eurofast DVP-EFB/DFB-8240D/H
Eurofast EFR $\varnothing 6,3 \times L$

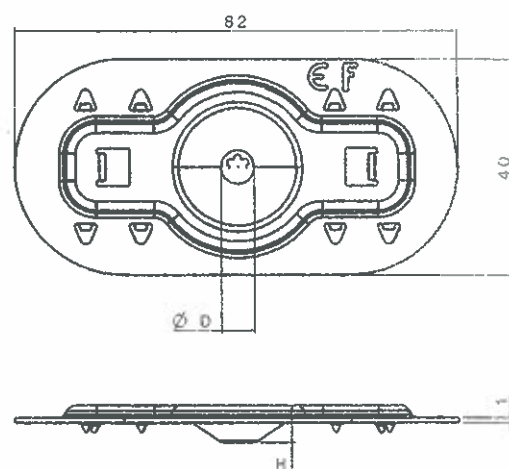
Eurofast® ETA-06/0007
01-03-2016 30 /151



VRF Eurofast GBS A2



VRF Eurofast
DVP-EFB/DFB-8240D/H

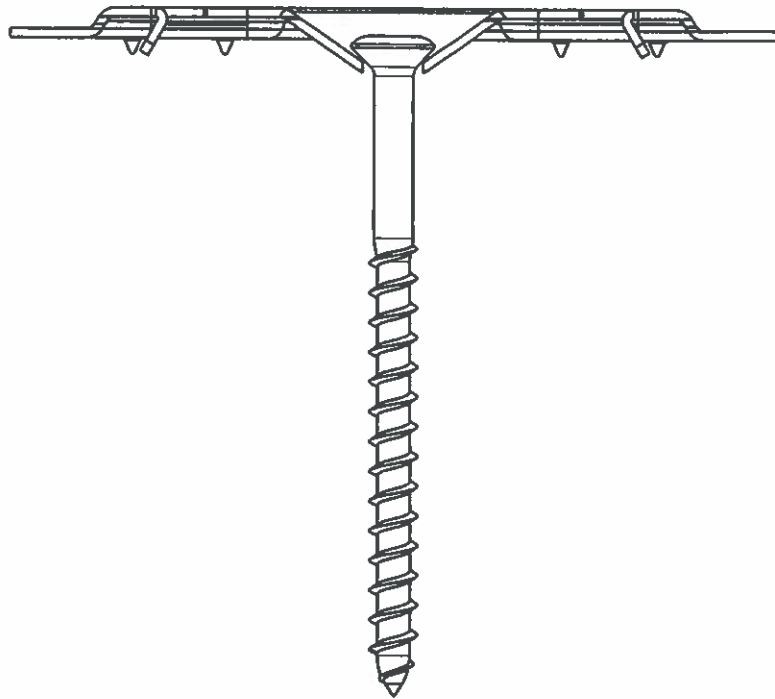


van Roij Fasteners Europe b.v.

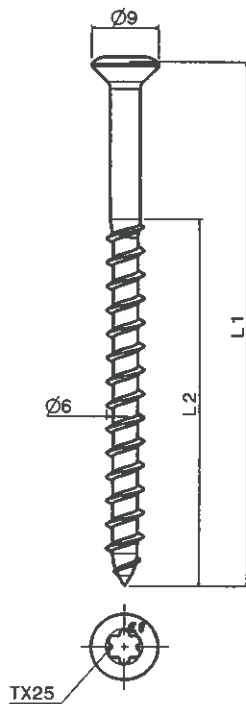
Combination:

Eurofast DVP-EFB/DFB-8240D/H
Eurofast GBS A2 $\varnothing 6,0 \times L$

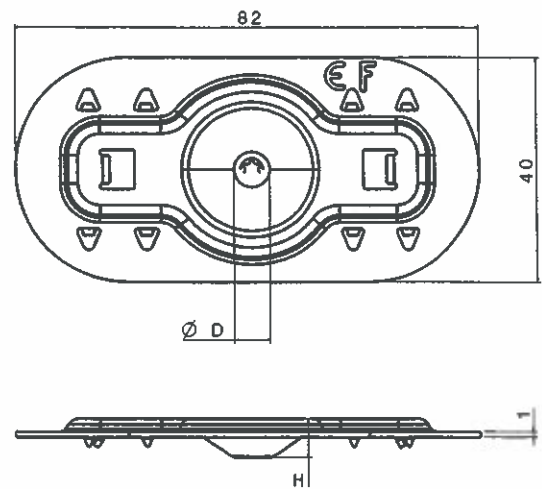
Eurofast® ETA-06/0007
01-03-2016 31 / 151



VRF Eurofast GBS



**VRF Eurofast
DVP-EFB/DFB-8240D/H**

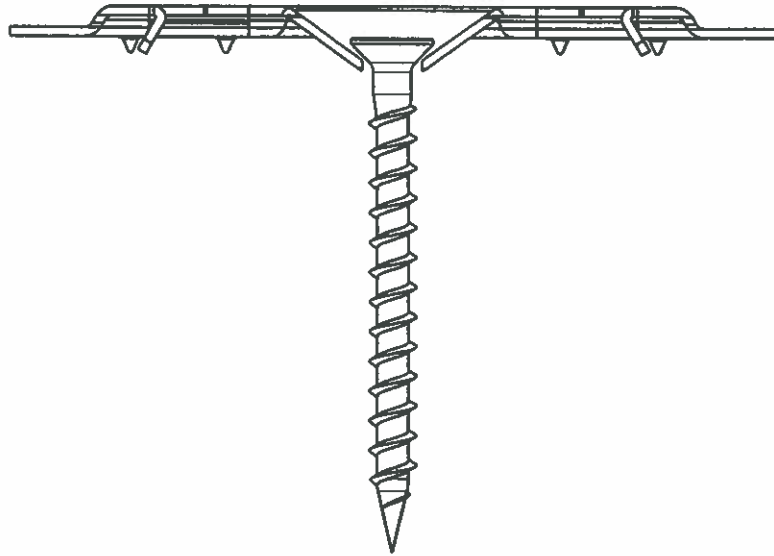


van Roij Fasteners Europe b.v.

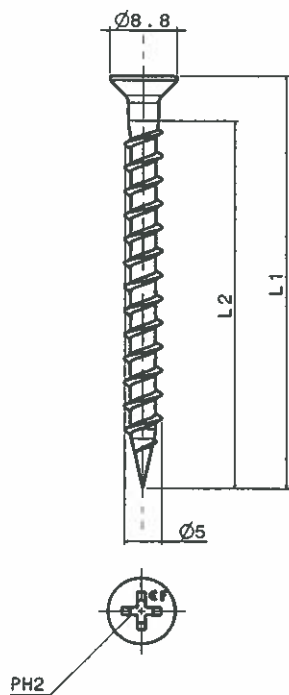
Combination:

Eurofast DVP-EFB/DFB-8240D/H
Eurofast GBS $\varnothing 6,0 \times L$

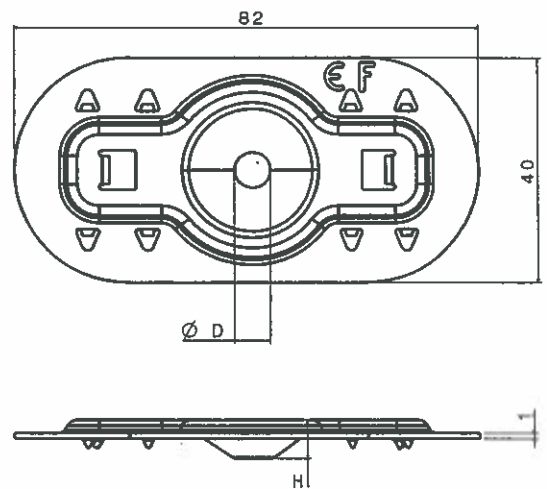
Eurofast® ETA-06/0007
01-03-2016 32 /151



VRF Eurofast EDS-H



**VRF Eurofast
DVP-EFB/DFB-8240D/H**

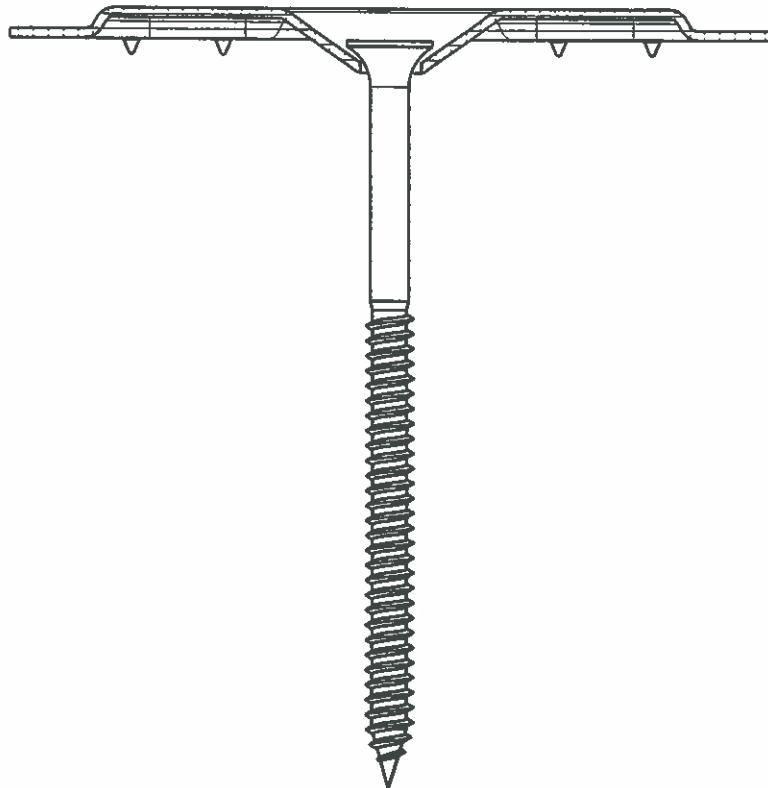


van Roij Fasteners Europe b.v.

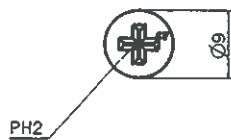
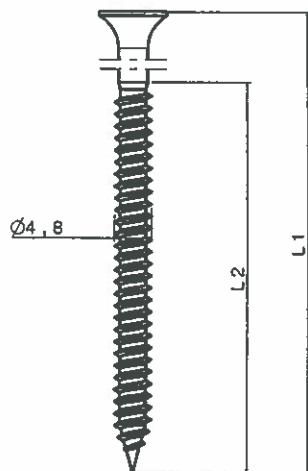
Combination:

Eurofast DVP-EFB/DFB-8240D/H
Eurofast EDS-H $\varnothing 5,0 \times L$

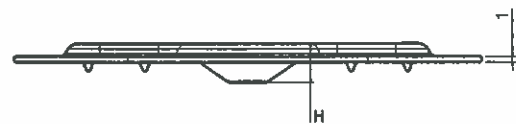
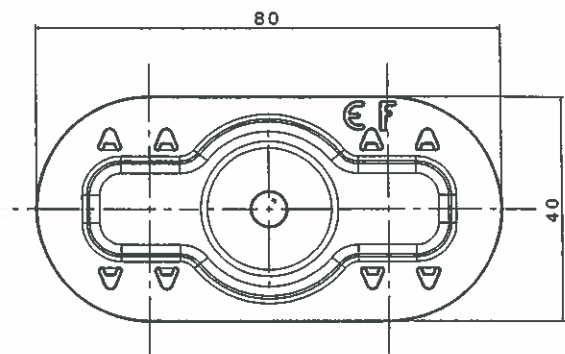
Eurofast® ETA-06/0007
01-03-2016 33 /151



VRF Eurofast EDS-S



VRF Eurofast
DVP-EFB/DFB-8040D

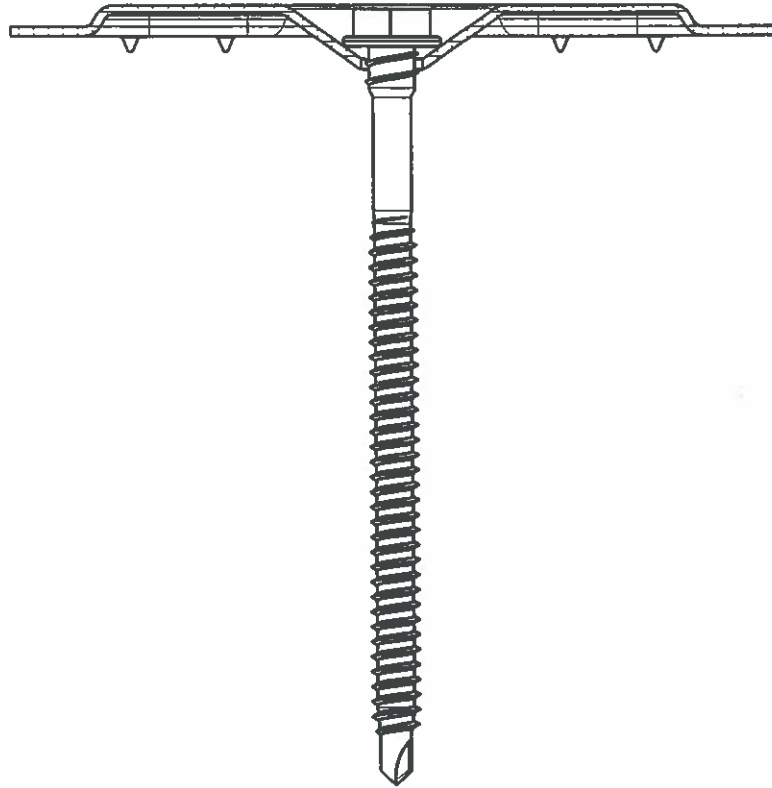


van Roij Fasteners Europe b.v.

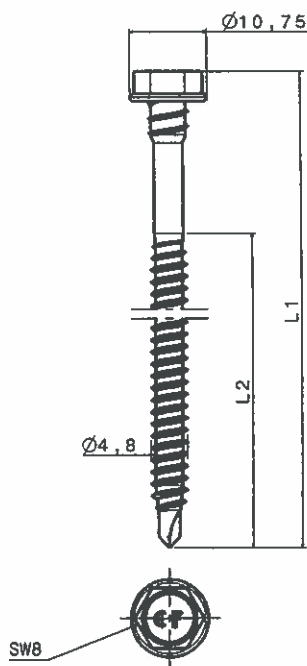
Combination:

Eurofast DVP-EFB/DFB-8040D
Eurofast EDS-S $\Phi 4,8 \times L$

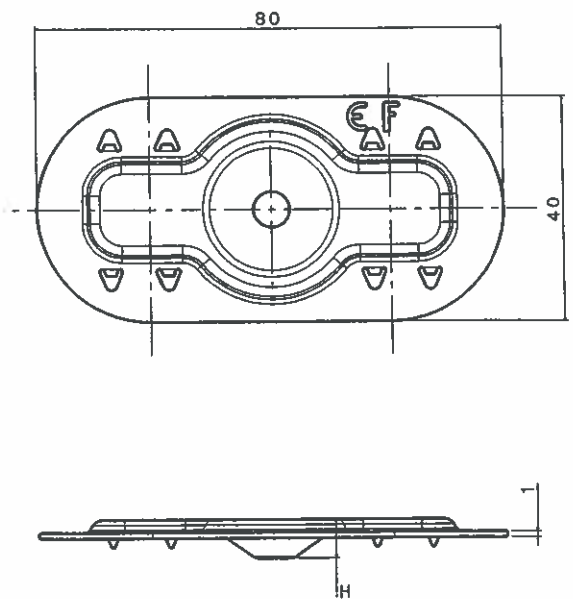
Eurofast® ETA-06/0007
01-03-2016 34 / 151



VRF Eurofast EDS-BZT/BGT



VRF Eurofast
DVP-EFB/DFB-8040D

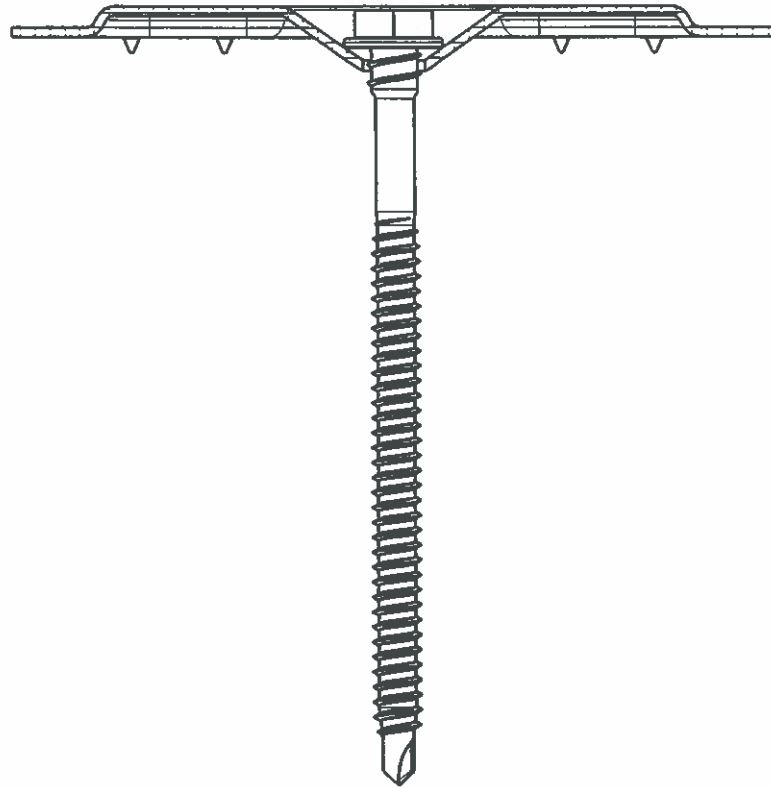


van Roij Fasteners Europe b.v.

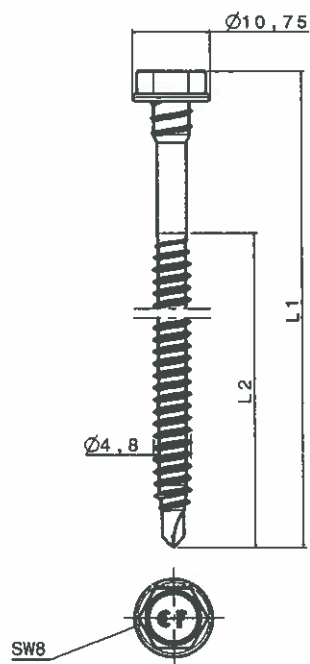
Combination:

Eurofast DVP-EFB/DFB-8040D
Eurofast EDS-BZT/BGT $\varnothing 4,8 \times L$

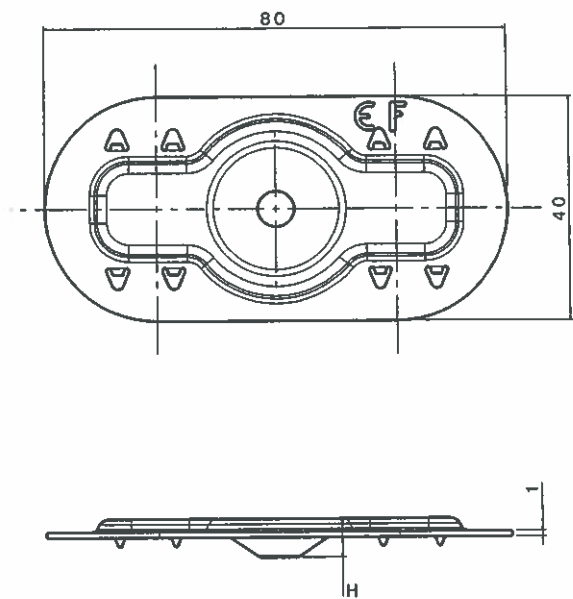
Eurofast® ETA-06/0007
01-03-2016 35/151



VRF Eurofast EDS-BZTR/BGTR



VRF Eurofast
DVP-EFB/DFB-8040D

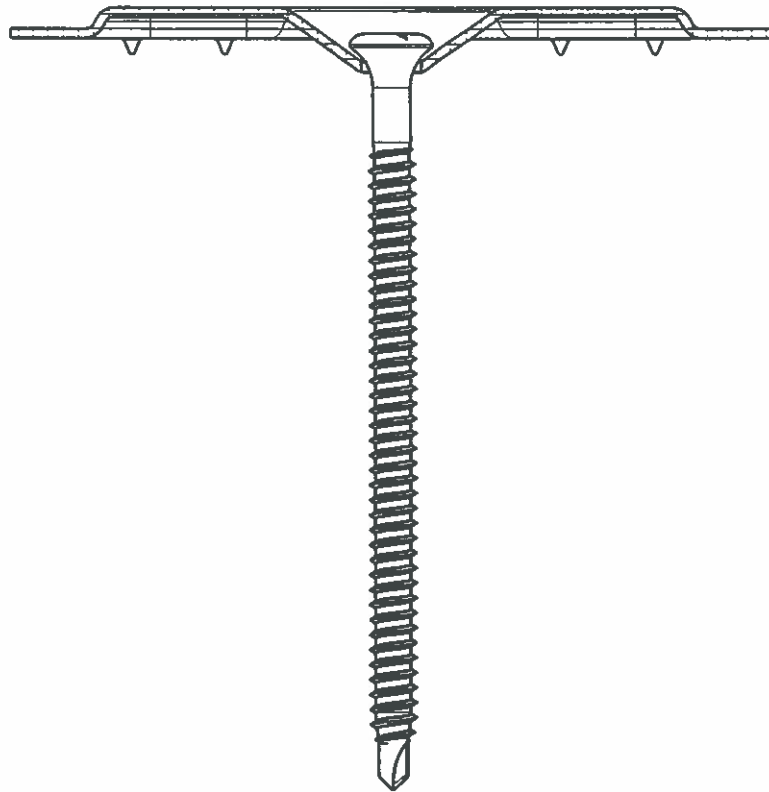


van Roij Fasteners Europe b.v.

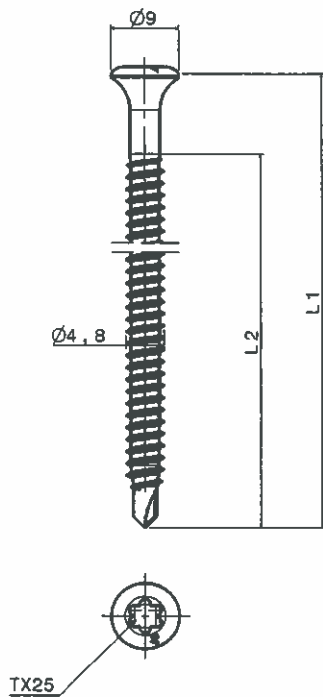
Combination:

Eurofast DVP-EFB/DFB-8040D
Eurofast EDS-BZTR/BGTR $\varnothing 4,8 \times L$

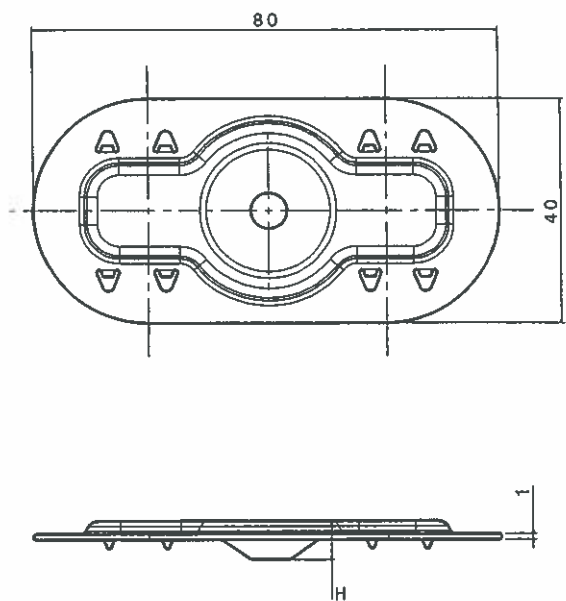
Eurofast® ETA-06/0007
01-03-2016 36 /151



VRF Eurofast EDS-SRB



VRF Eurofast
DVP-EFB/DFB-8040D

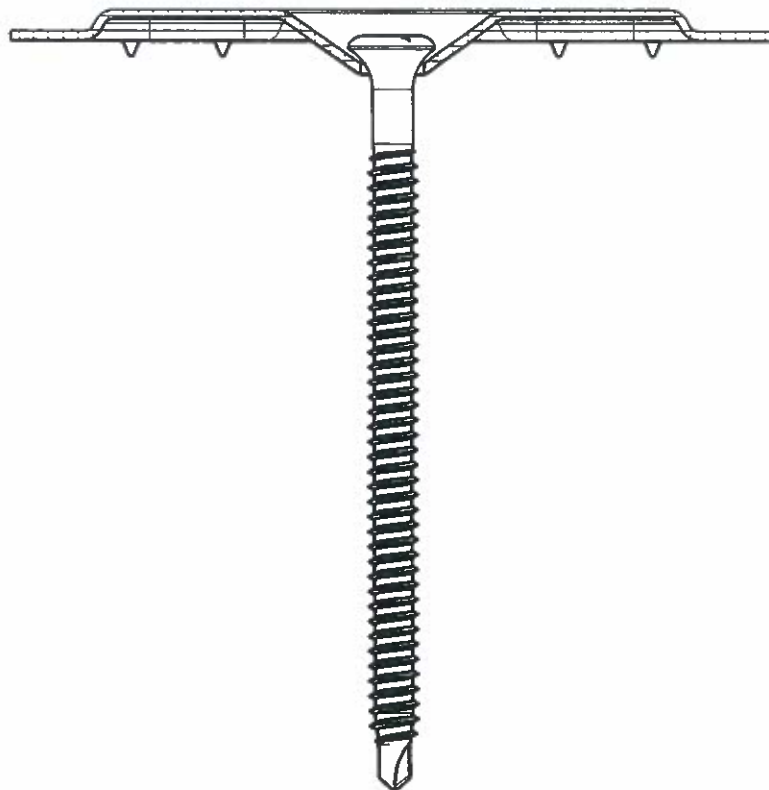


Van Roij Fasteners Europe b.v.

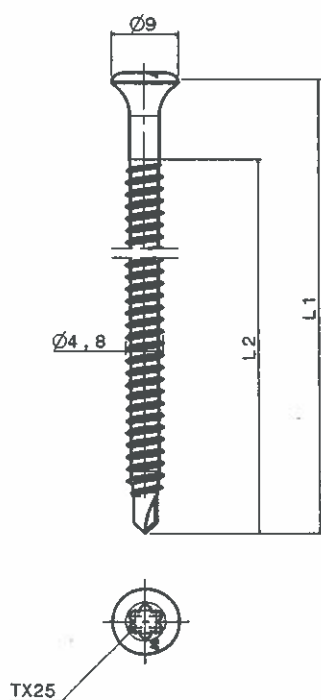
Combination:

Eurofast DVP-EFB/DFB-8040D
Eurofast EDS-SRB $\varnothing 4,8 \times L$

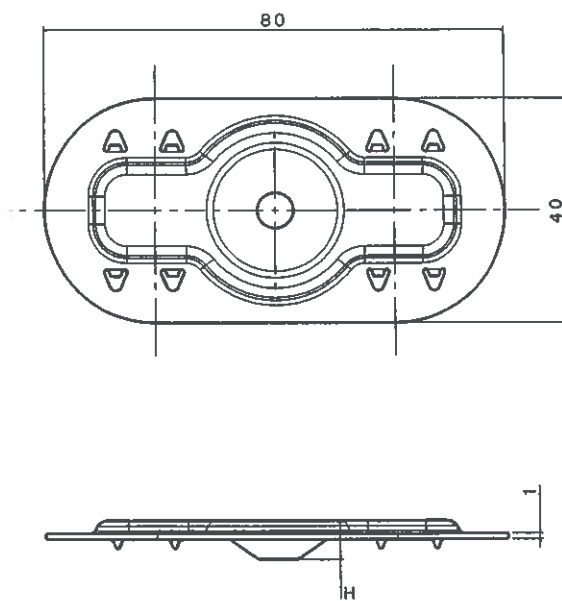
Eurofast® ETA-06/0007
01-03-2016 37 / 151



VRF Eurofast EDS-B



VRF Eurofast
DVP-EFB/DFB-8040D

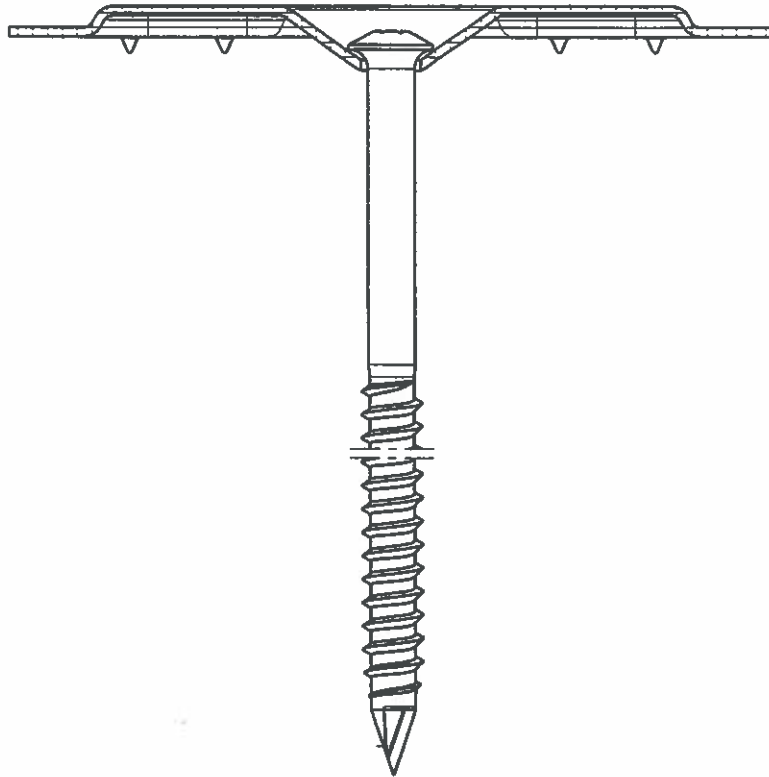


Van Roij Fasteners Europe b.v.

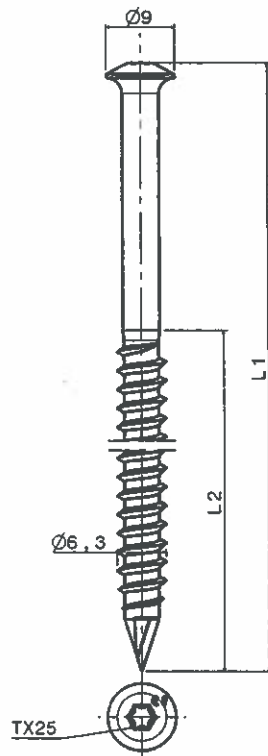
Combination:

Eurofast DVP-EFB/DFB-8040D
Eurofast EDS-B ϕ 4,8 x L

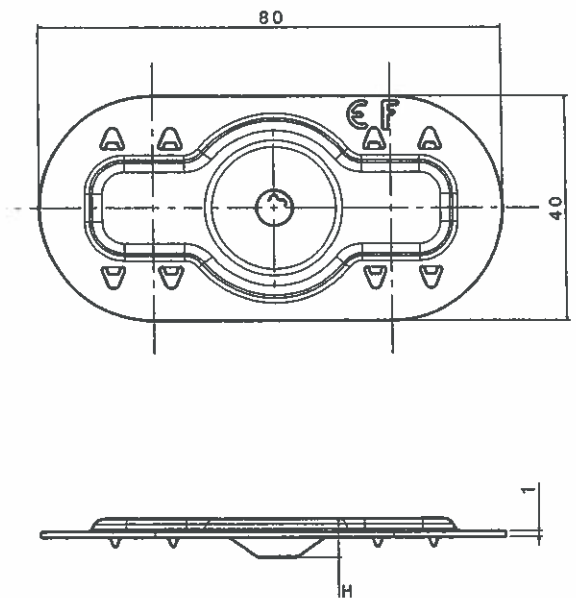
Eurofast® ETA-06/0007
01-03-2016 38 / 151



VRF Eurofast EFHD



VRF Eurofast
DVP-EFB/DFB-8040D

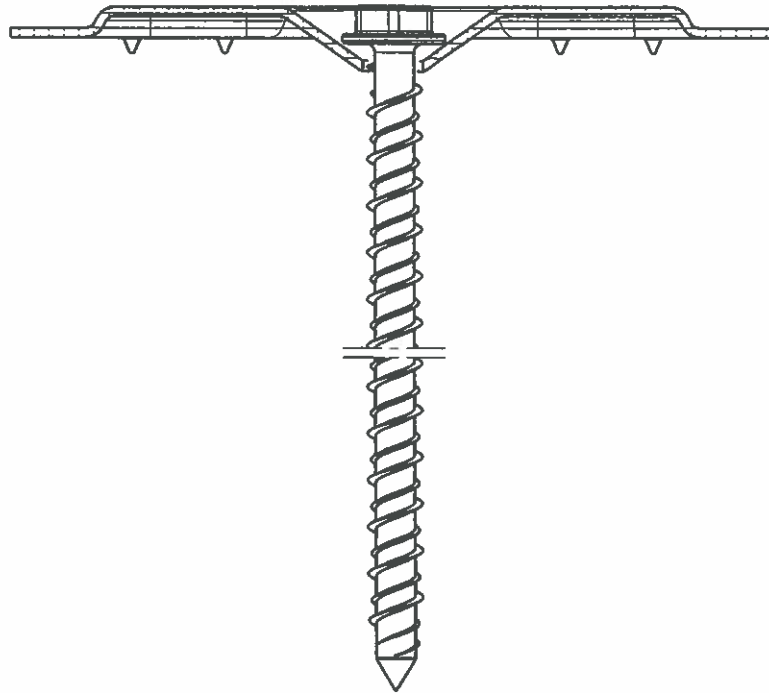


van Roij Fasteners Europe b.v.

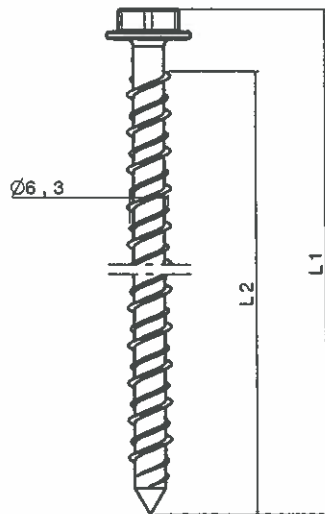
Combination:

Eurofast DVP-EFB/DFB-8040D
Eurofast EFHD $\phi 6,3 \times L$

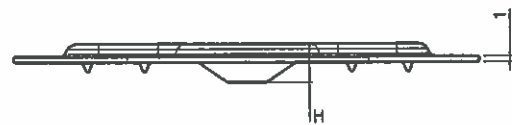
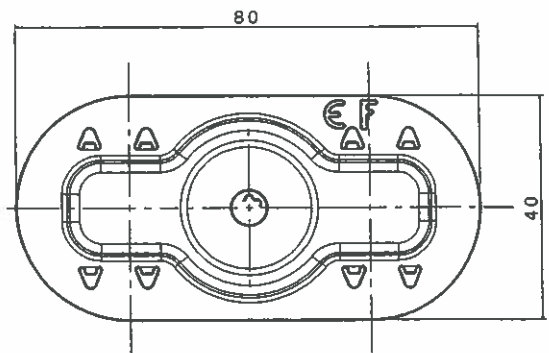
Eurofast® ETA-06/0007
01-03-2016 39/151



VRF Eurofast DFCF



VRF Eurofast
DVP-EFB/DFB-8040D

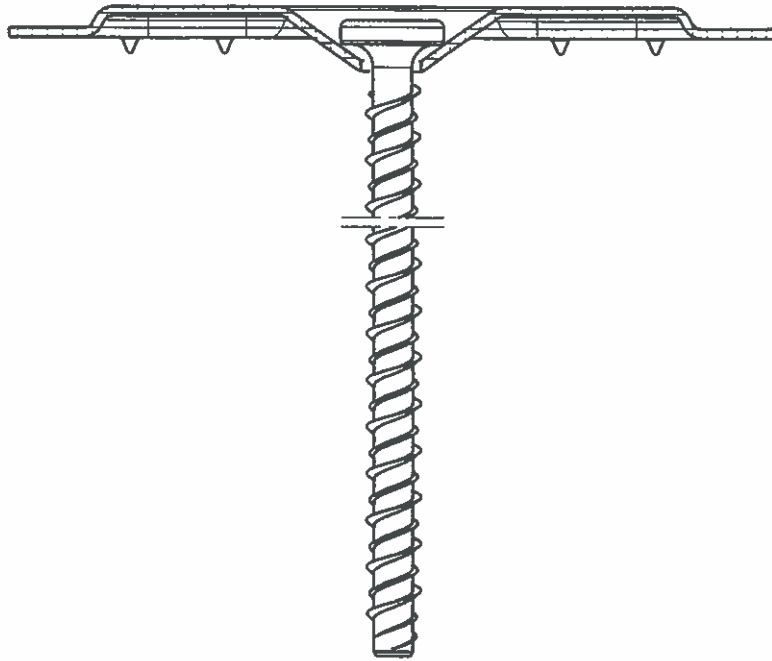


van Roij Fasteners Europe b.v.

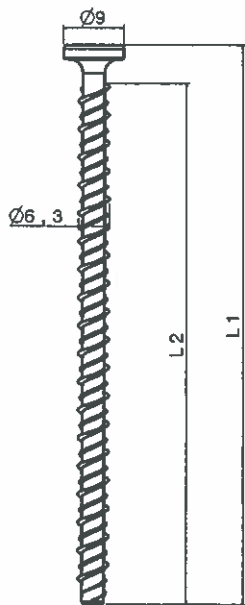
Combination:

Eurofast DVP-EFB/DFB-8040D
Eurofast DFCF $\varnothing 6,3 \times L$

Eurofast® ETA-06/0007
01-03-2016 40 / 151

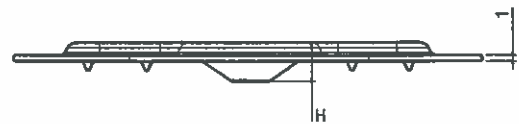
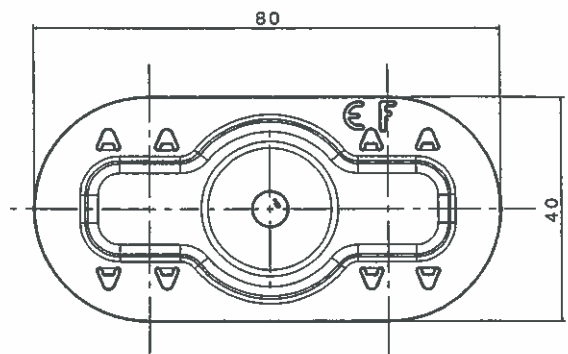


VRF Eurofast EFR



TX25

**VRF Eurofast
DVP-EFB/DFB-8040D**

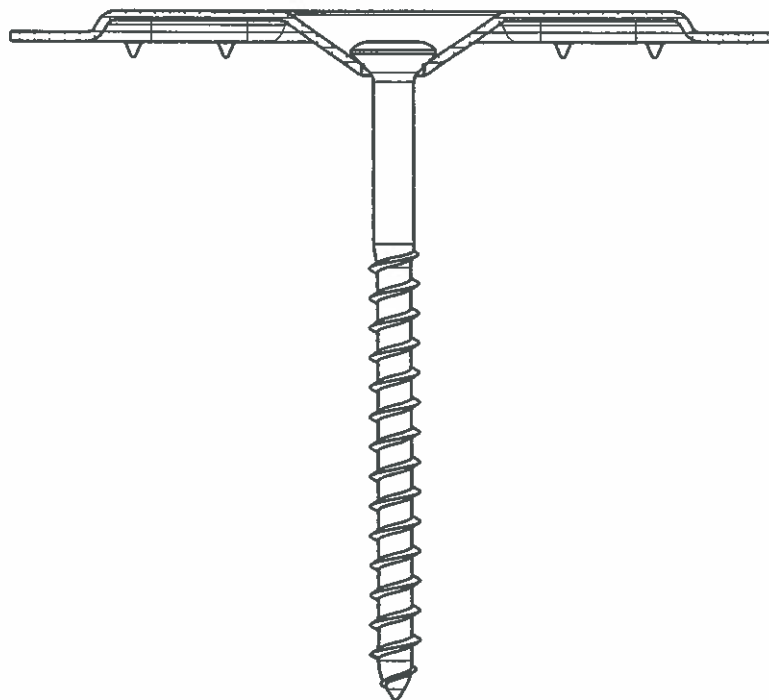


van Roij Fasteners Europe b.v.

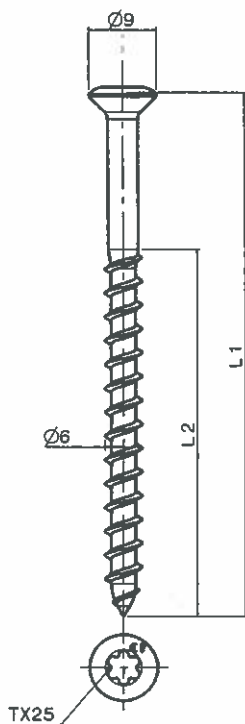
Combination:

Eurofast DVP-EFB/DFB-8040D
Eurofast EFR $\phi 6,3 \times L$

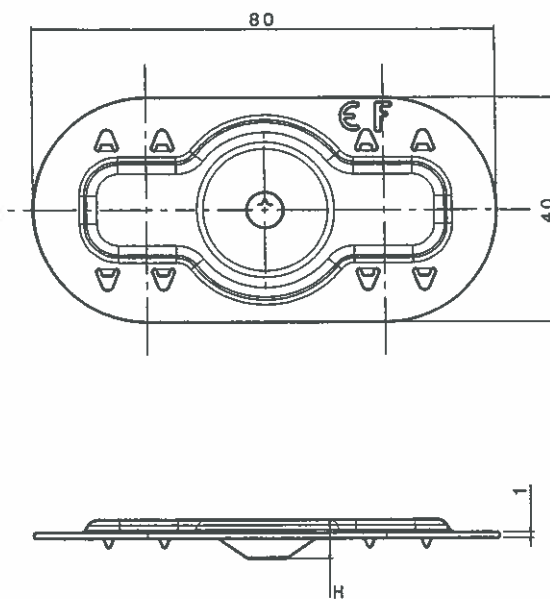
Eurofast® ETA-06/007
01-03-2016 41 /151



VRF Eurofast GBS A2



VRF Eurofast
DVP-EFB/DFB-8040D

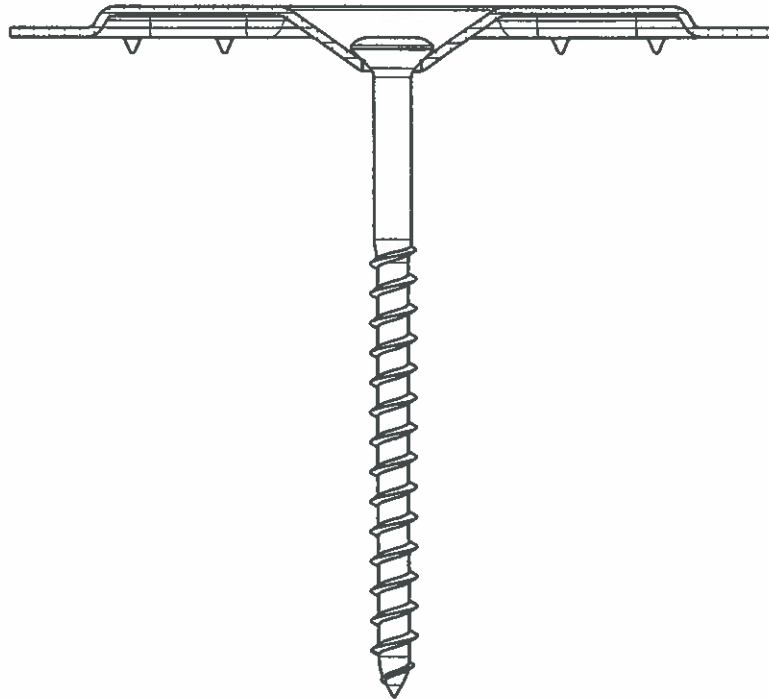


van Roij Fasteners Europe b.v.

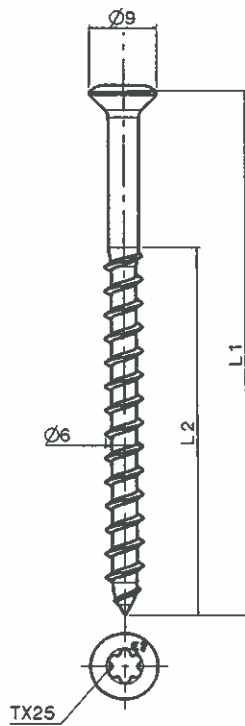
Combination:

Eurofast DVP-EFB/DFB-8040D
Eurofast GBS A2 $\varnothing 6,0 \times L$

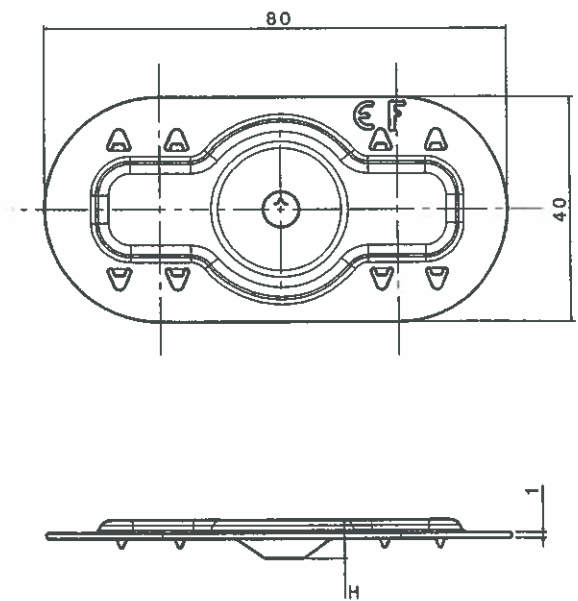
Eurofast® ETA-06/0007
01-03-2016 42 /151



VRF Eurofast GBS



**VRF Eurofast
DVP-EFB/DFB-8040D**

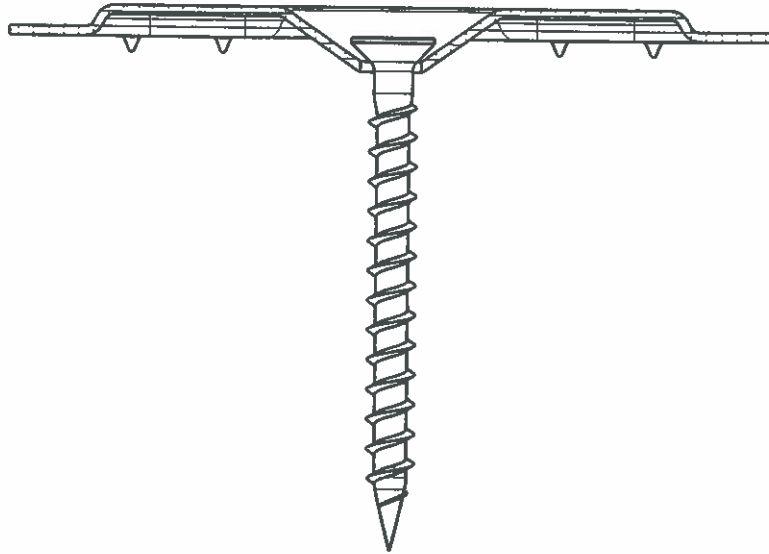


van Roij Fasteners Europe b.v.

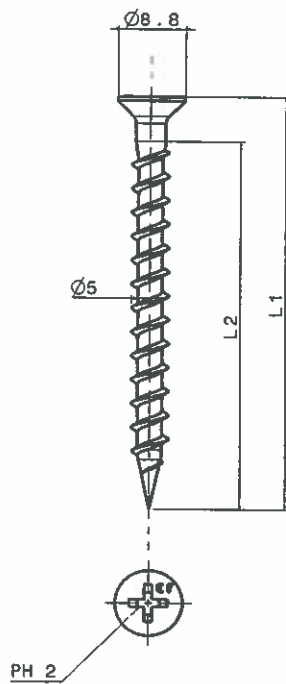
Combination:

Eurofast DVP-EFB/DFB-8040D
Eurofast GBS $\phi 6,0 \times L$

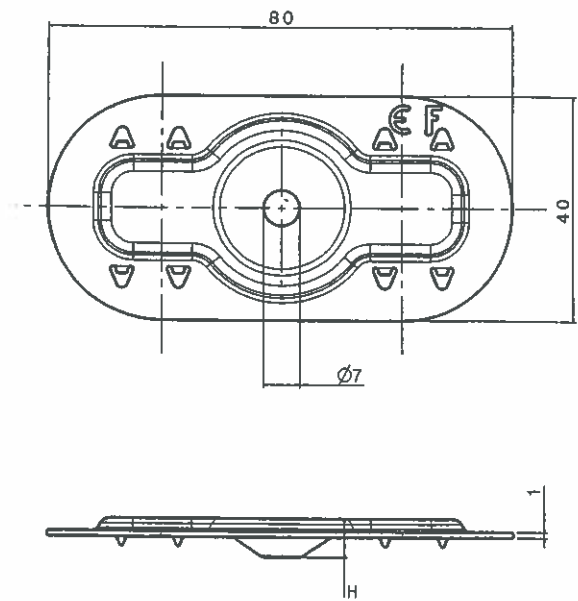
Eurofast® ETA-06/0007
01-03-2016 43 /151



VRF Eurofat EDS-H



VRF Eurofat
DVP-EFB/DFB-8040D

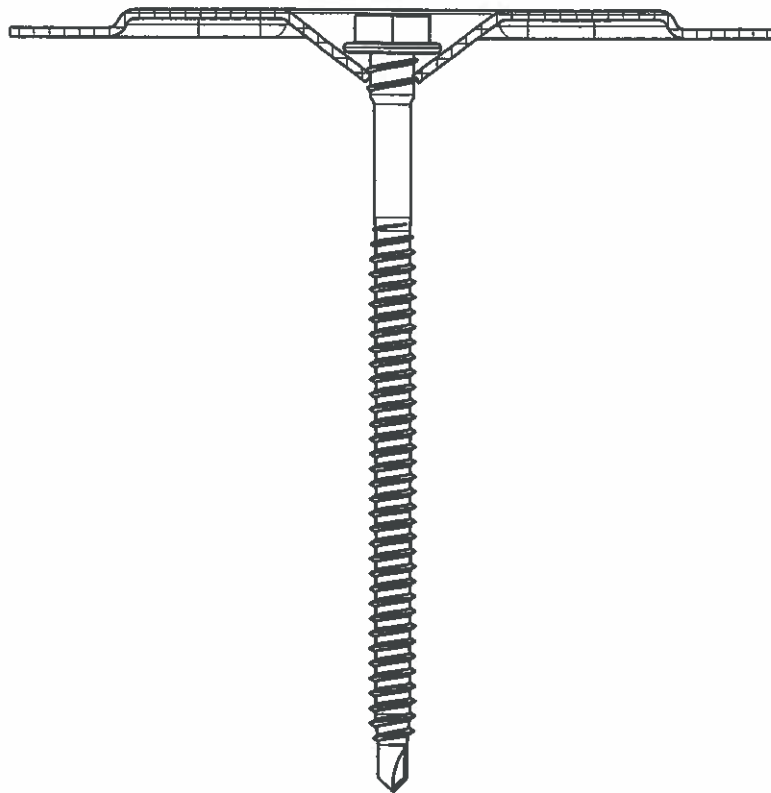


van Roij Fasteners Europe b.v.

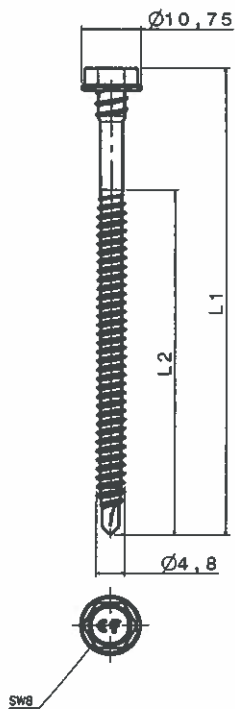
Combination:

Eurofast DVP-EFB/DFB-8040D
Eurofat EDS-H $\phi 5,0 \times L$

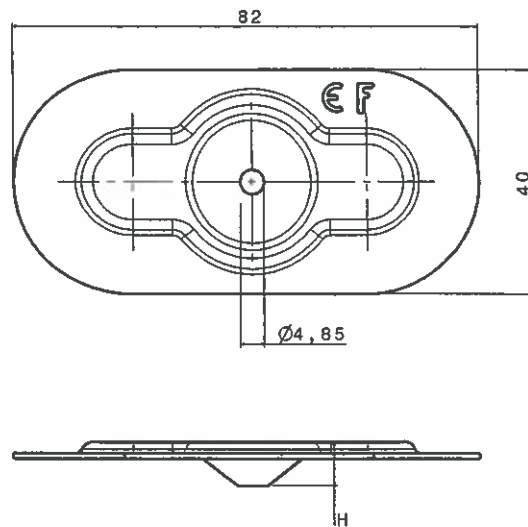
Eurofast® ETA-06/0007
01-03-2016 44 /151



VRF Eurofast EDS-BZT/BGT



VRF Eurofast
DVP-EFZK-8240D

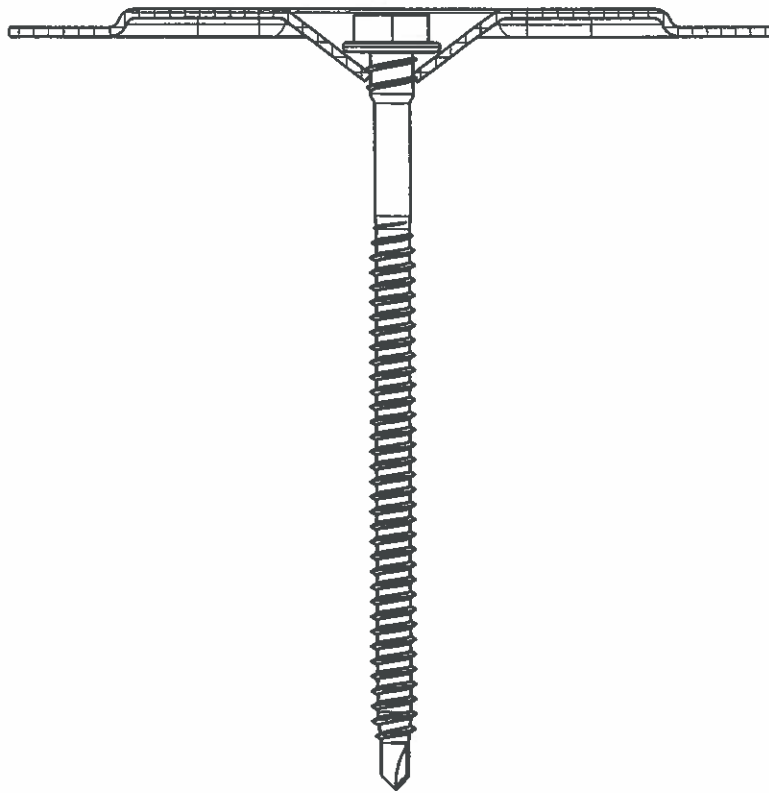


van Roij Fasteners Europe b.v.

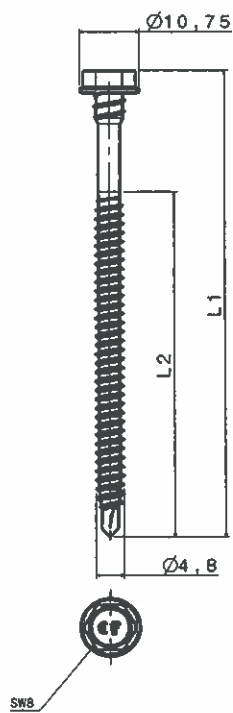
Combination:

Eurofast DVP-EFZK-8240D
Eurofast EDS-BZT/BGT ϕ 4,8 x L

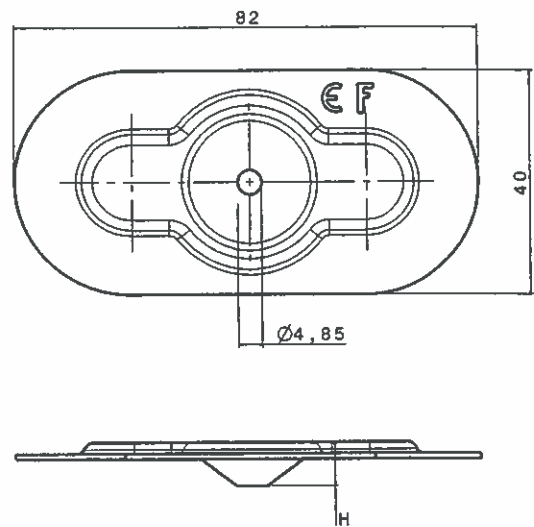
Eurofast® ETA-06/0007
01-03-2016 45 /151



VRF Eurofast EDS-BZTR/BGTR



VRF Eurofast
DVP-EFZK-8240D

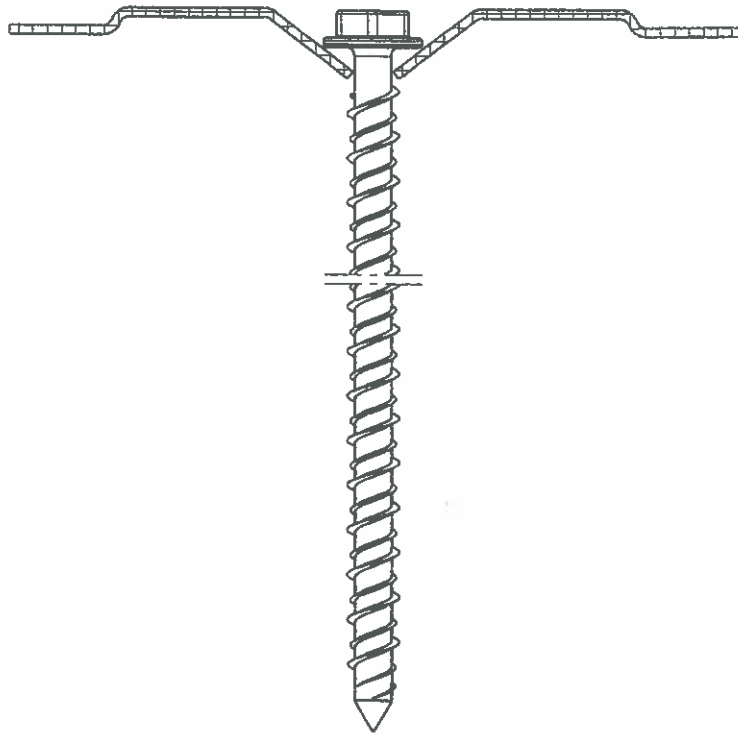


van Roij Fasteners Europe b.v.

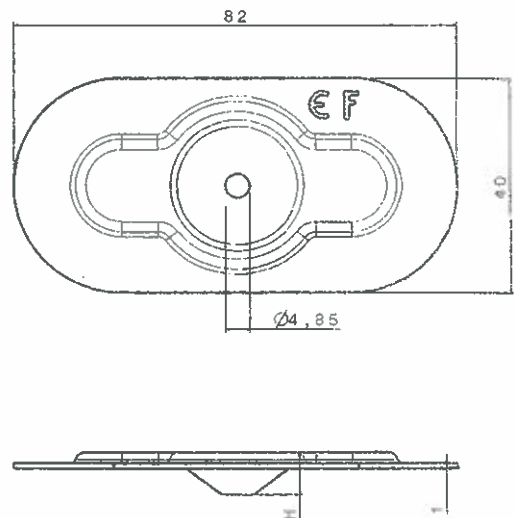
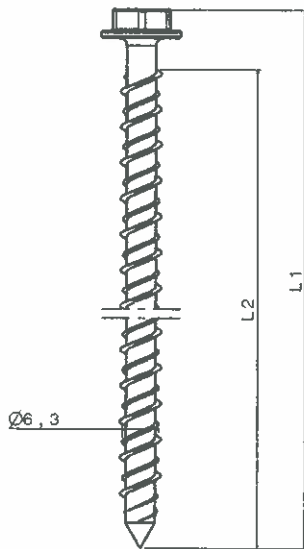
Combination:

Eurofast DVP-EFZK-8240D
Eurofast EDS-BZTR/BGTR $\varnothing 4,8 \times L$

Eurofast® ETA-06/0007
01-03-2016 46/151



VRF Eurofast DVP-EFZK-8240D

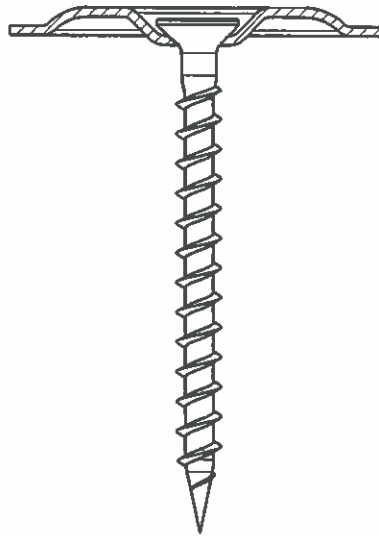


Van Roij Fasteners Europe b.v.

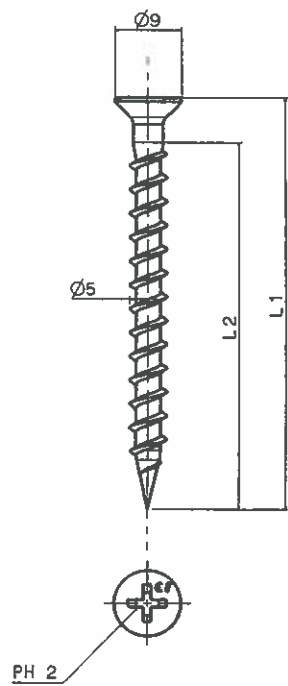
Combination:

Eurofast DVP-EFZK-8240D
Eurofast DFCF $\varnothing 6,3 \times L$

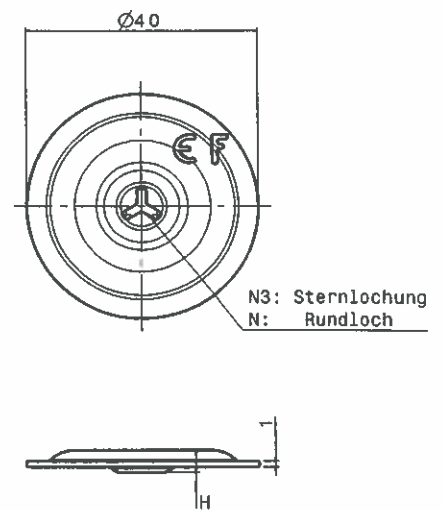
Eurofast® ETA-06/0007
01-03-2016 47/151



VRF Eurofast EDS-H



VRF Eurofast DVP-EF- 4010N/N3

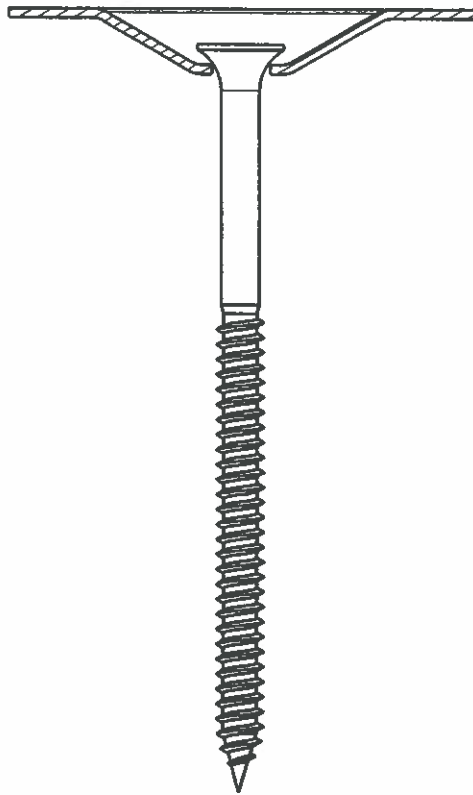


Van Roij Fasteners Europe b.v.

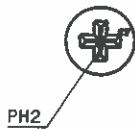
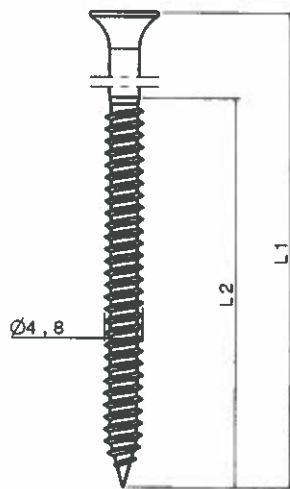
Combination:

Eurofast DVP-EF-4010N/N3
Eurofast EDS-H Ø 5,0 x L

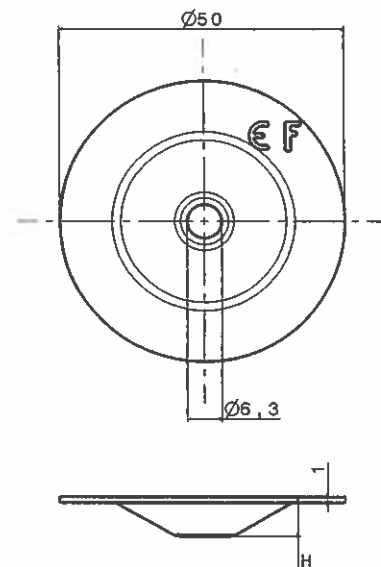
Eurofast® ETA-06/0007
01-03-2016 48 /151



VRF Eurofast EDS-S



VRF Eurofast DVP-EF-5010N/D

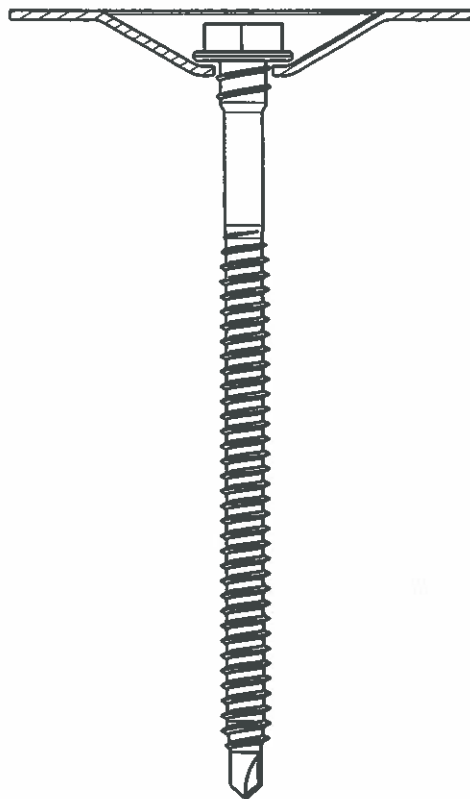


Van Roij Fasteners Europe b.v.

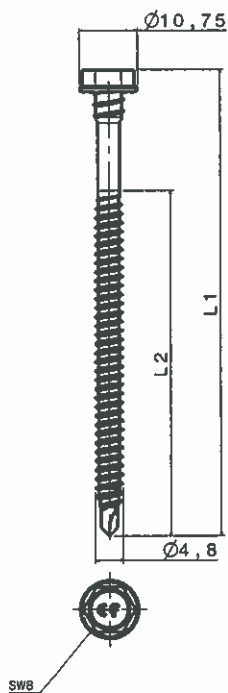
Combination:

Eurofast DVP-EF-5010N/D
Eurofast EDS-S $\varnothing 4,8 \times L$

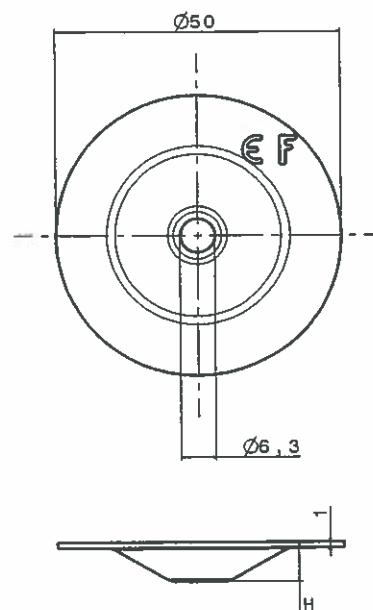
Eurofast® ETA-06/0007
01-03-2016 49 / 151



VRF Eurofast EDS-BZT/BGT



VRF Eurofast DVP-EF-5010N/D

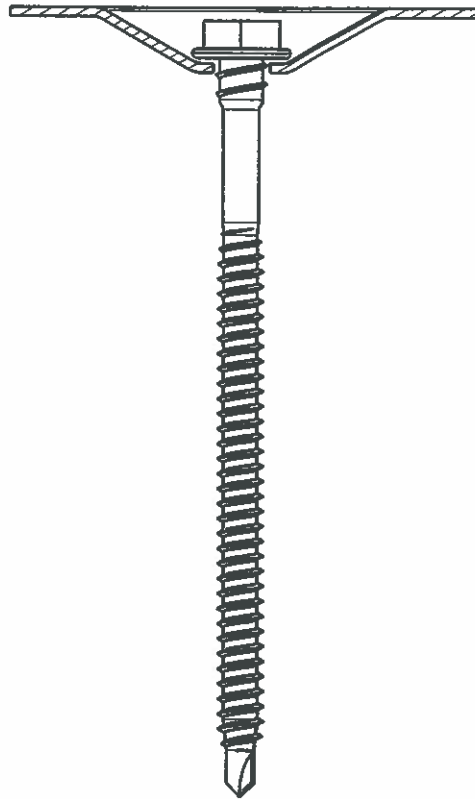


Van Roij Fasteners Europe b.v.

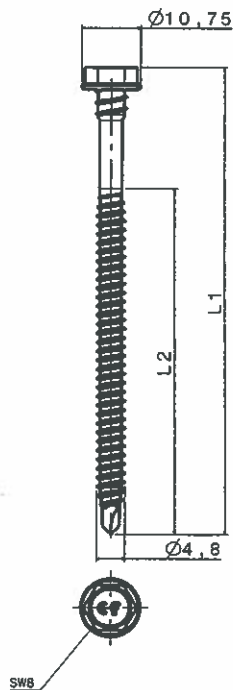
Combination:

Eurofast DVP-EF-5010N/D
Eurofast EDS-BZT/BGT $\varnothing 4,8 \times L$

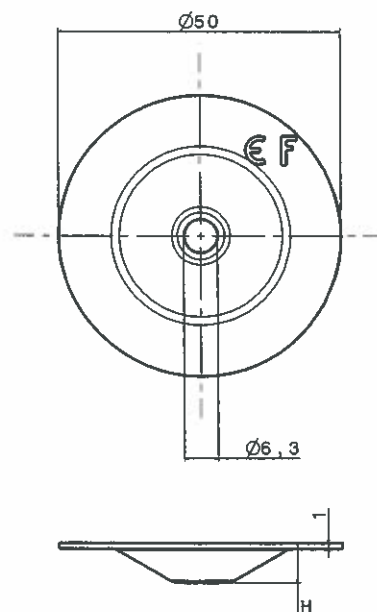
Eurofast® ETA-06/0007
01-03-2016 50 /151



VRF Eurofast EDS-BZTR/BGTR



VRF Eurofast DVP-EF-5010N/D

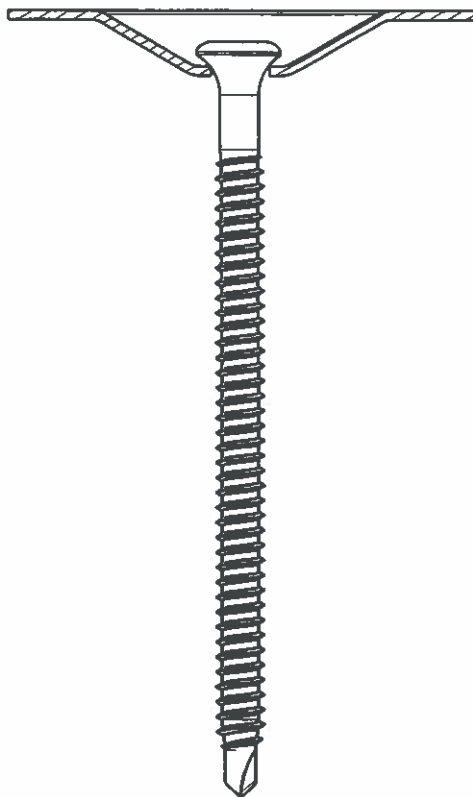


Van Roij Fasteners Europe b.v.

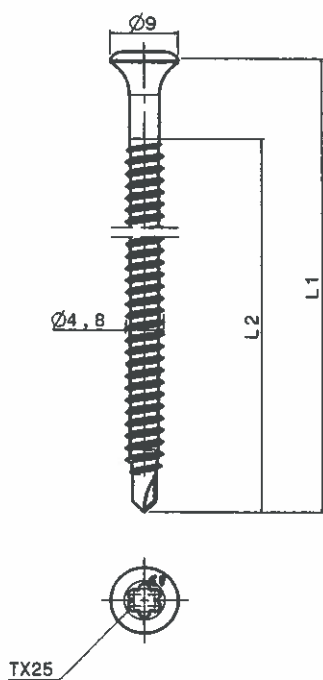
Combination:

Eurofast DVP-EF-5010N/D
Eurofast EDS-BZTR/BGTR $\varnothing 4,8 \times L$

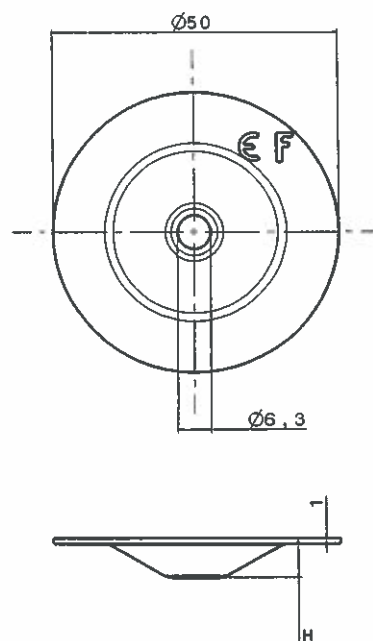
Eurofast® ETA-06/0007
01-03-2016 51 / 151



VRF Eurofast EDS-SRB



VRF Eurofast DVP-EF-5010N/D

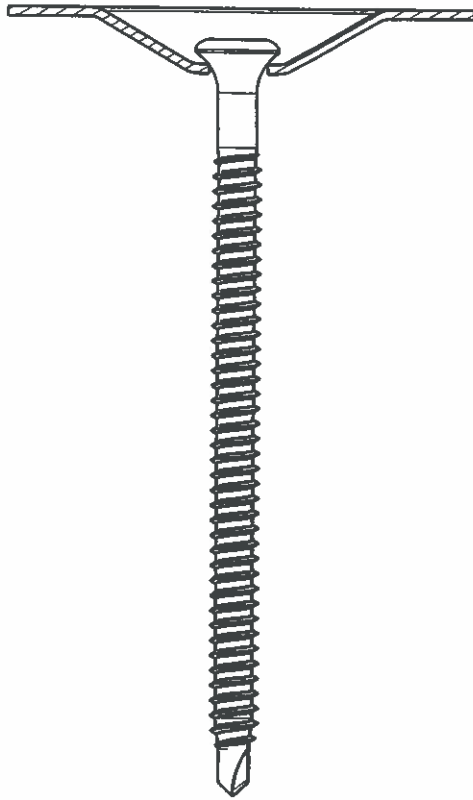


Van Roij Fasteners Europe b.v.

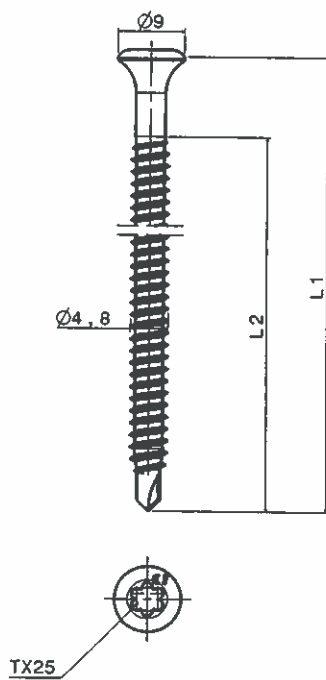
Combination:

Eurofast DVP-EF-5010N/D
Eurofast EDS-SRB $\Phi 4,8 \times L$

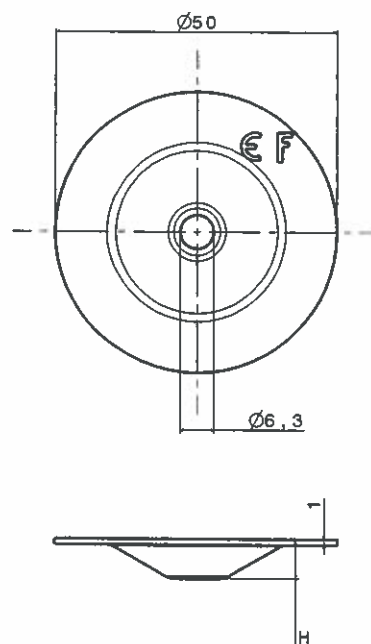
Eurofast® ETA-06/0007
01-03-2016 52 / 151



VRF Eurofast EDS-B



VRF Eurofast DVP-EF-5010N/D

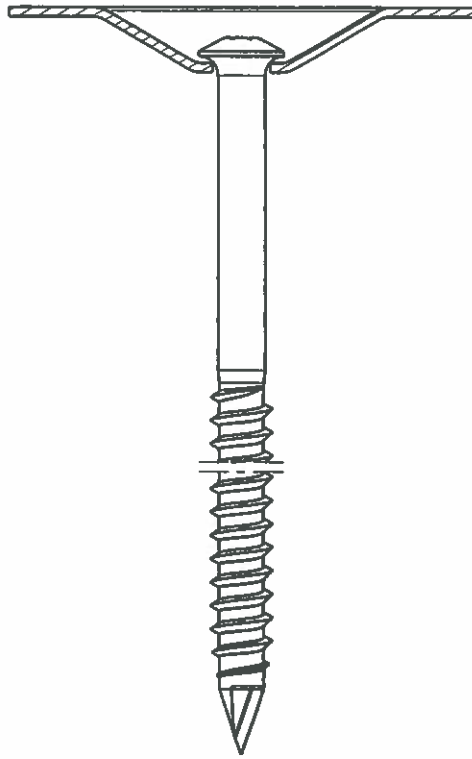


Van Roij Fasteners Europe b.v.

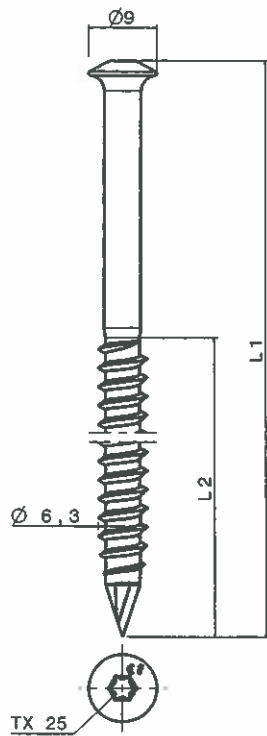
Combination:

Eurofast DVP-EF-5010N/D
Eurofast EDS-B $\varnothing 4,8 \times L$

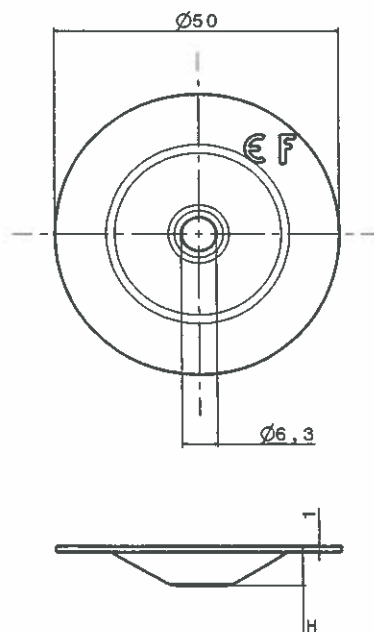
Eurofast® ETA-06/0007
01-03-2016 53 / 151



VRF Eurofast EFHD



VRF Eurofast DVP-EF-5010N/D

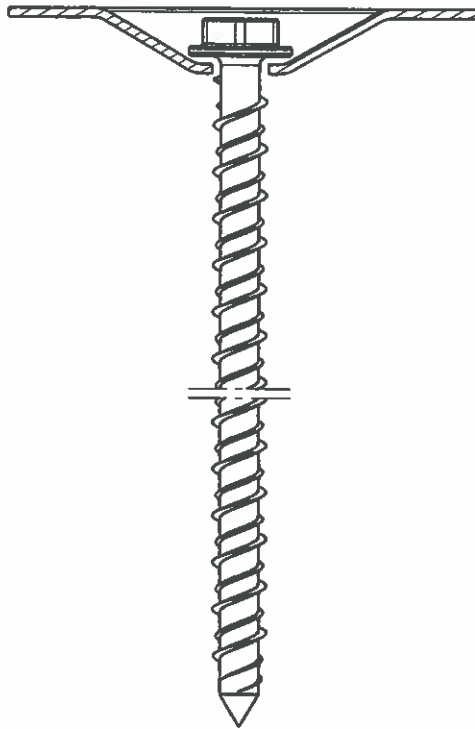


Van Roij Fasteners Europe b.v.

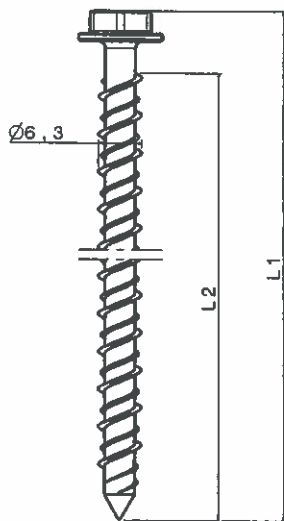
Combination:

Eurofast DVP-EF-5010N/D
Eurofast EFHD $\varnothing 6,3 \times L$

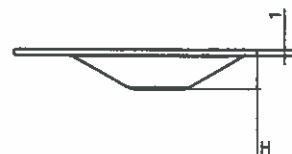
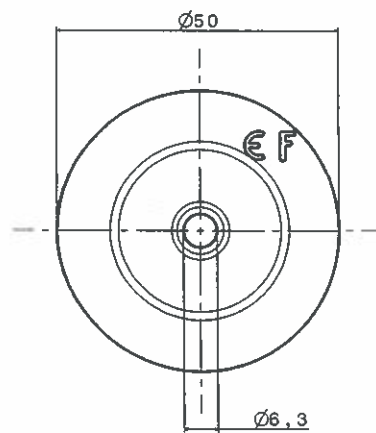
Eurofast® ETA-06/0007
01-03-2016 54 /151



VRF Eurofast DFCF



VRF Eurofast DVP-EF-5010N/D

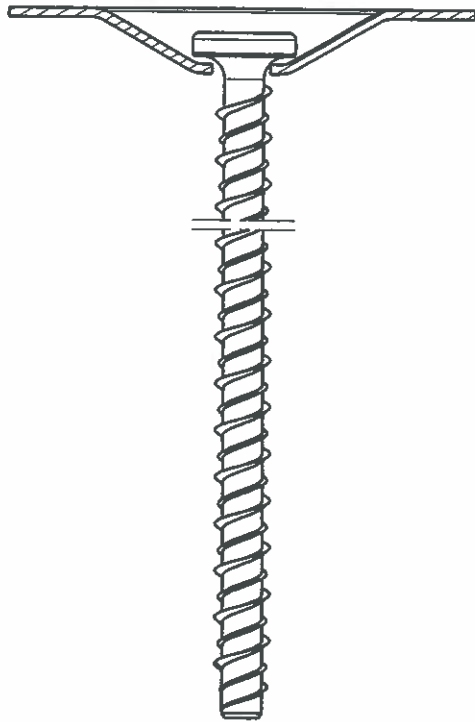


Van Roij Fasteners Europe b.v.

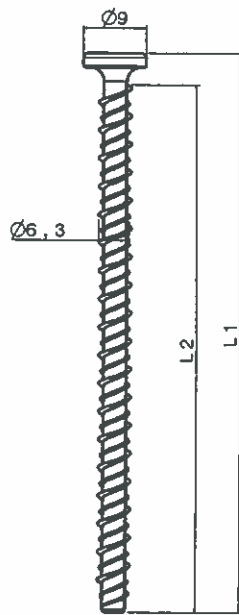
Combination:

Eurofast DVP-EF-5010N/D
Eurofast DFCF ϕ 6,3 x L

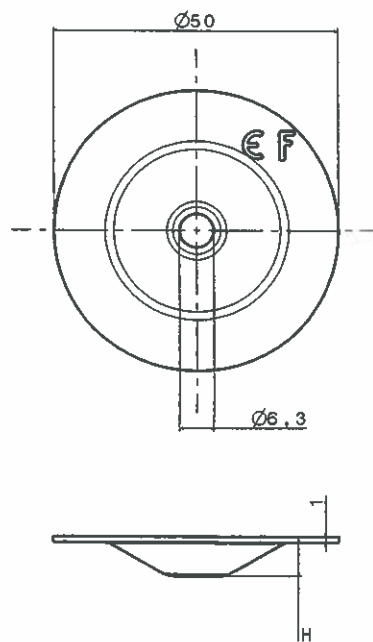
Eurofast® ETA-06/0007
01-03-2016 55 /151



VRF Eurofast EFR



VRF Eurofast DVP-EF-5010N/D

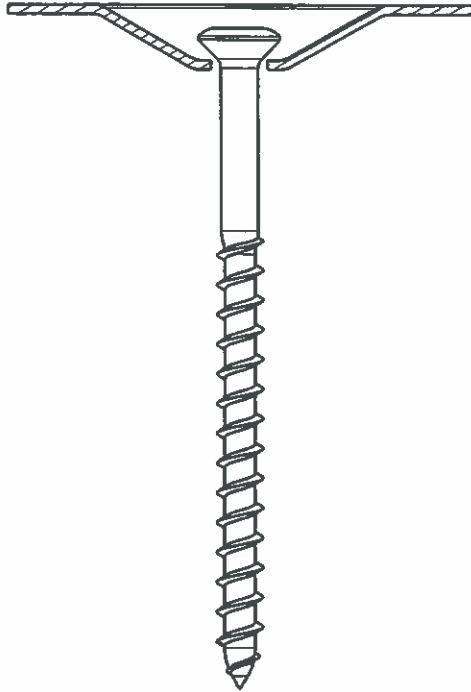


Van Roij Fasteners Europe b.v.

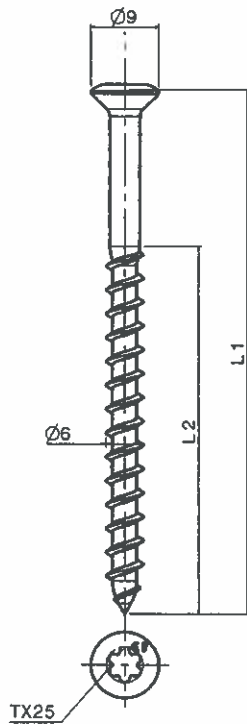
Combination:

Eurofast DVP-EF-5010N/D
Eurofast EFR $\varnothing 6,3 \times L$

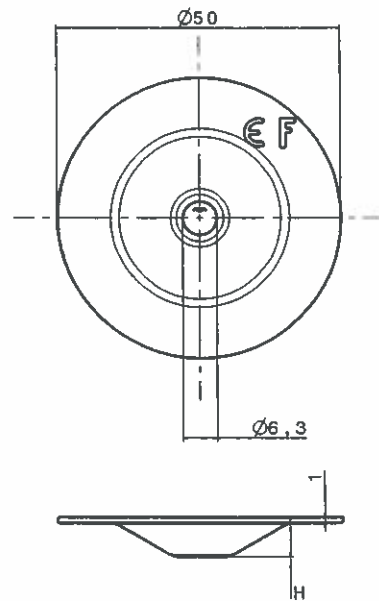
Eurofast® ETA-06/0007
01-03-2016 56 /151



VRF Eurofast GBS A2



VRF Eurofast DVP-EF-5010N/D

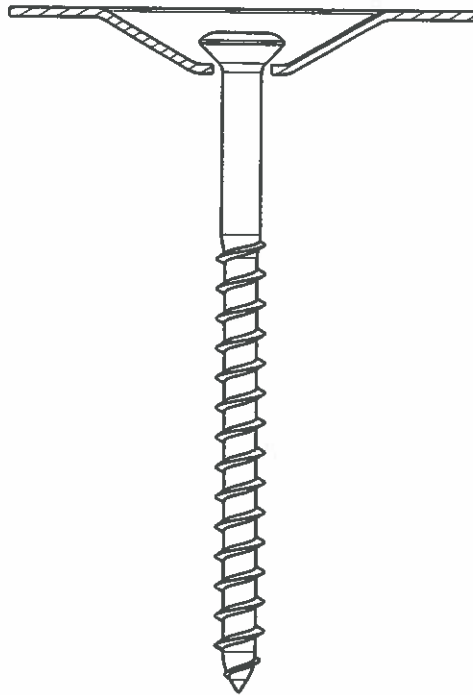


Van Roij Fasteners Europe b.v.

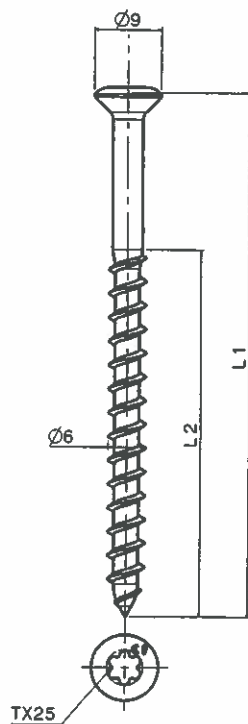
Combination:

Eurofast DVP-EF-5010N/D
Eurofast GBS A2 Ø 6,0 x L

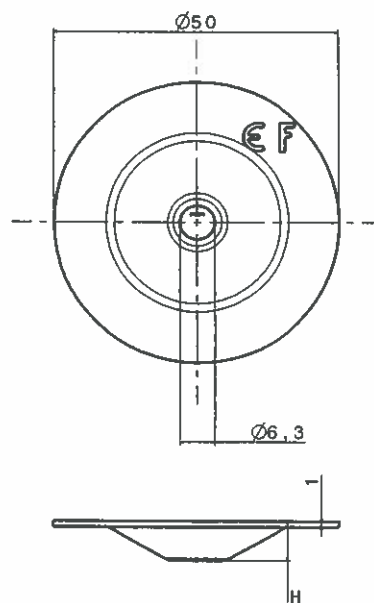
Eurofast® ETA-06/0007
01-03-2016 57/151



VRF Eurofast GBS



VRF Eurofast DVP-EF-5010N/D

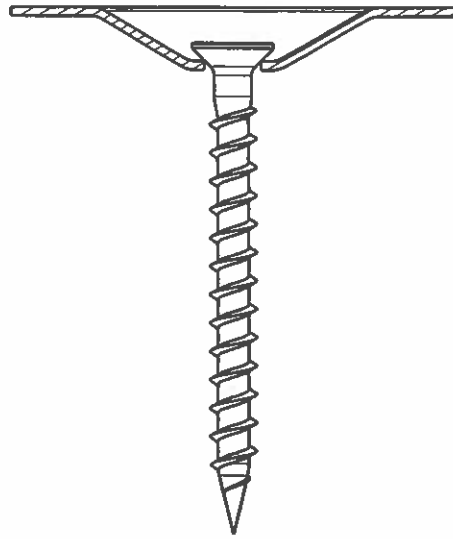


Van Roij Fasteners Europe b.v.

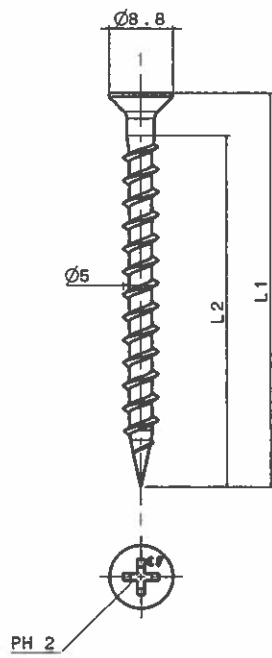
Combination:

Eurofast DVP-EF-5010N/D
Eurofast GBS $\varnothing 6,0 \times L$

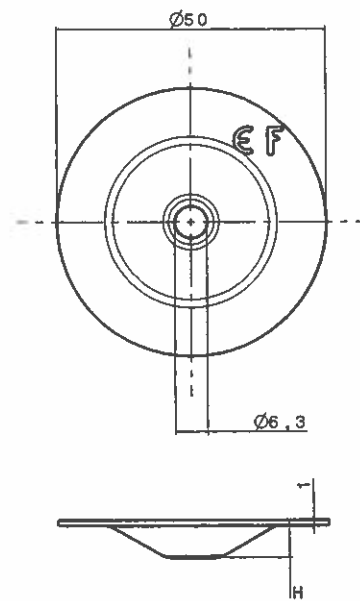
Eurofast® ETA-06/0007
01-03-2016 58 /151



VRF Eurofast EDS-H



VRF Eurofast DVP-EF-5010N/D

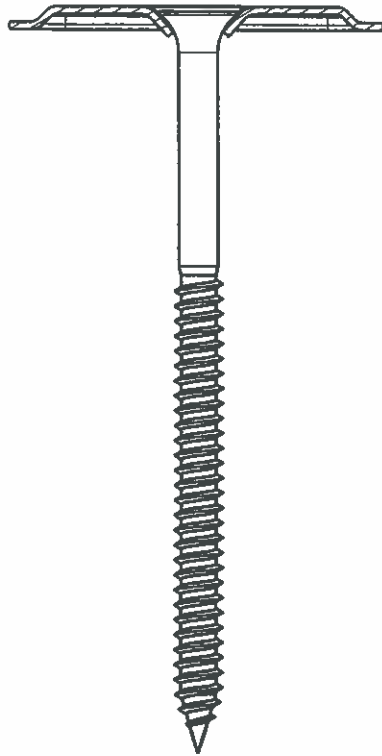


Van Roij Fasteners Europe b.v.

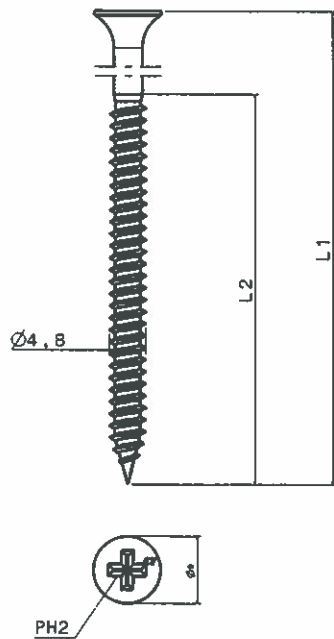
Combination:

Eurofast DVP-EF-5010N/D
Eurofast EDS-H $\varnothing 5,0 \times L$

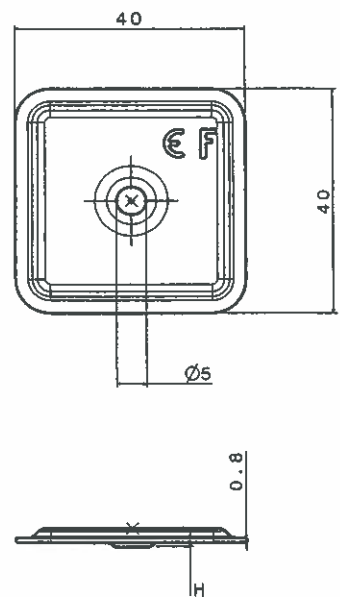
Eurofast® ETA-06/0007
01-03-2016 59 / 151



VRF Eurofast EDS-S



VRF Eurofast DVP-K-4040H

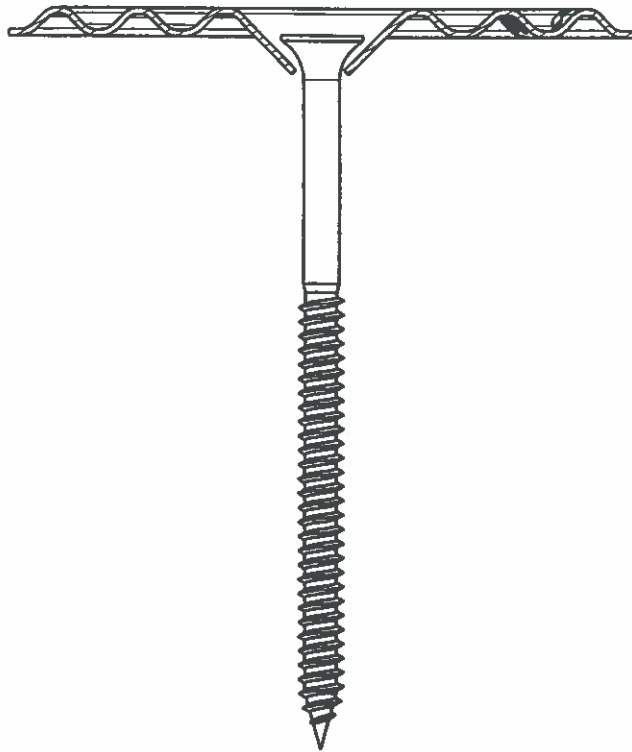


Van Roij Fasteners Europe b.v.

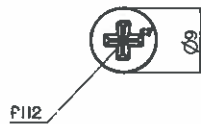
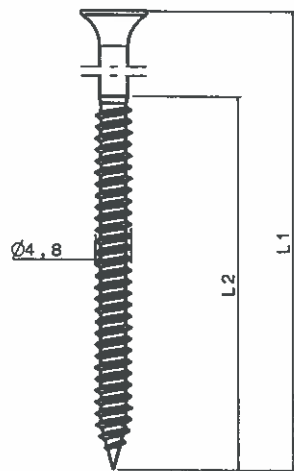
Combination:

Eurofast DVP-K-4040H
Eurofast EDS-S $\varnothing 4,8 \times L$

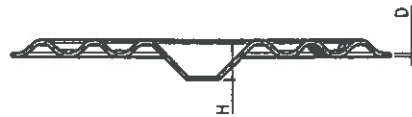
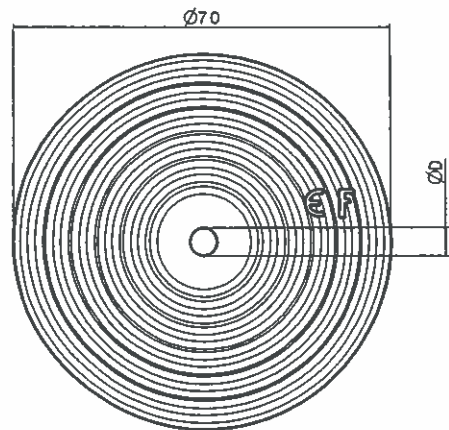
Eurofast® ETA-06/0007
01-03-2016 60/151



VRF Eurofast EDS-S



VRF Eurofast
DVP-EF-7007- N/D

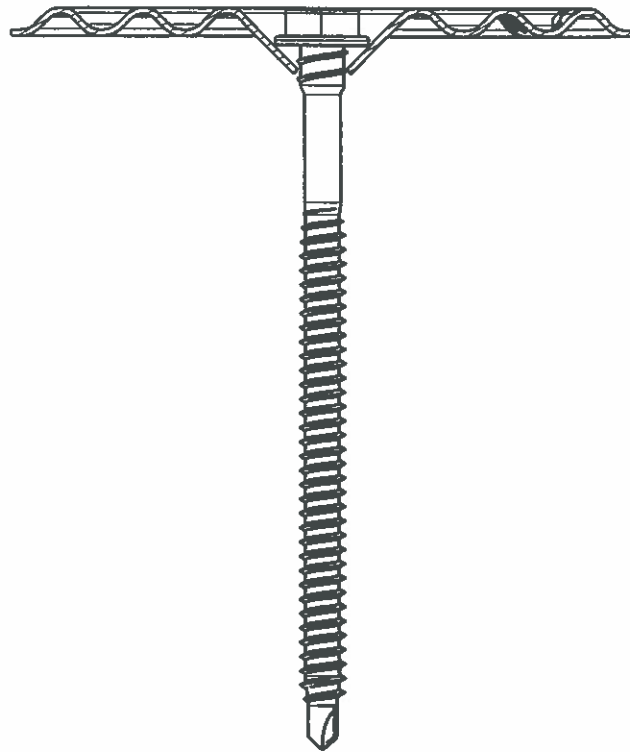


Van Roij Fasteners Europe b.v.

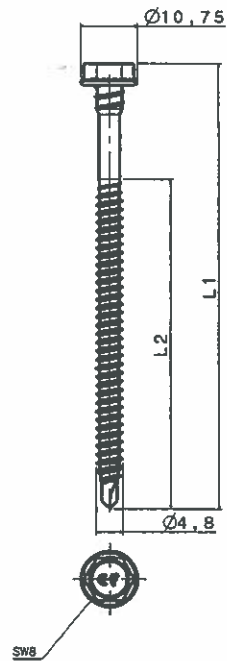
Combination:

Eurofast DVP-EF-7007-N/D
Eurofast EDS-S $\varnothing 4,8 \times L$

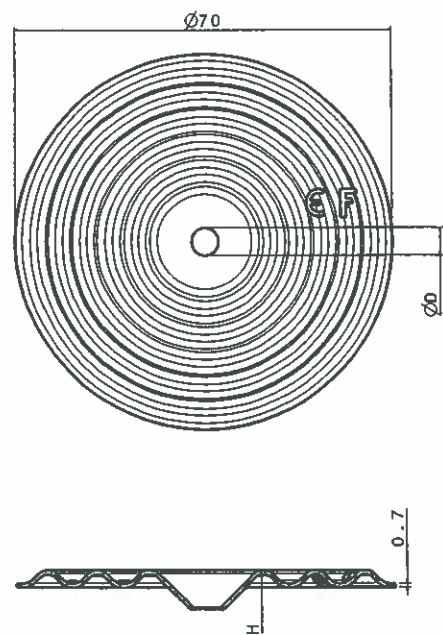
Eurofast® ETA-06/0007
01-03-2016 61/151



VRF Eurofast EDS-BZT/BGT



VRF Eurofast
DVP-EF-7007-N/D

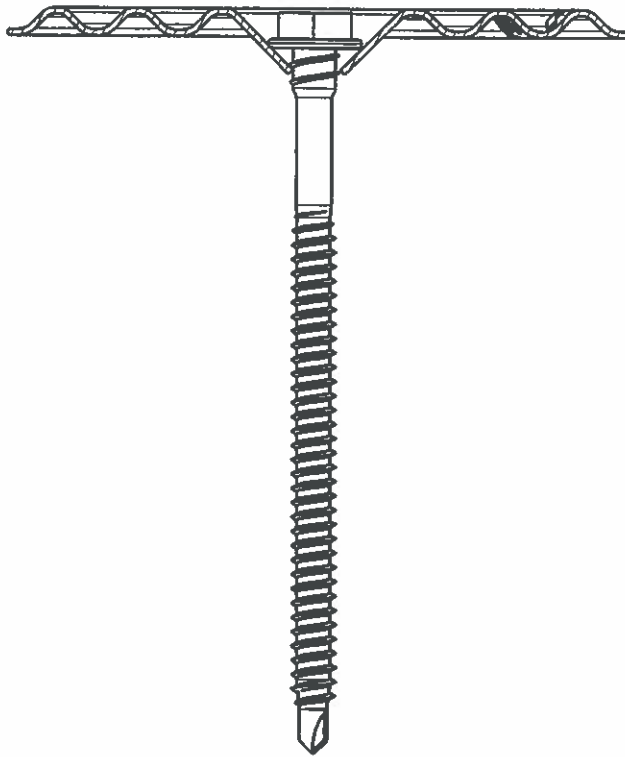


Van Roij Fasteners Europe b.v.

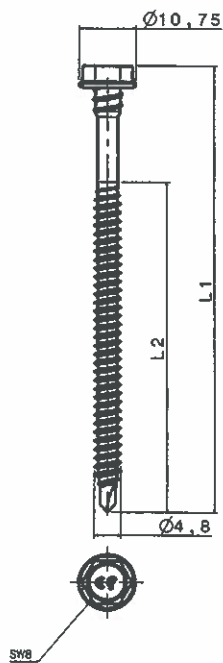
Combination:

Eurofast DVP-EF-7007-N/D
Eurofast EDS-BZT/BGT $\varnothing 4,8 \times L$

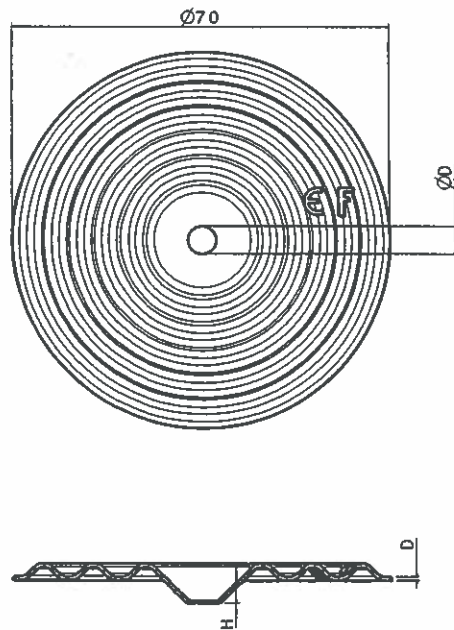
Eurofast® ETA-06/0007
01-03-2016 62 /151



VRF Eurofast EDS-BZTR/BGTR



VRF Eurofast
DVP-EF-7007-N/D

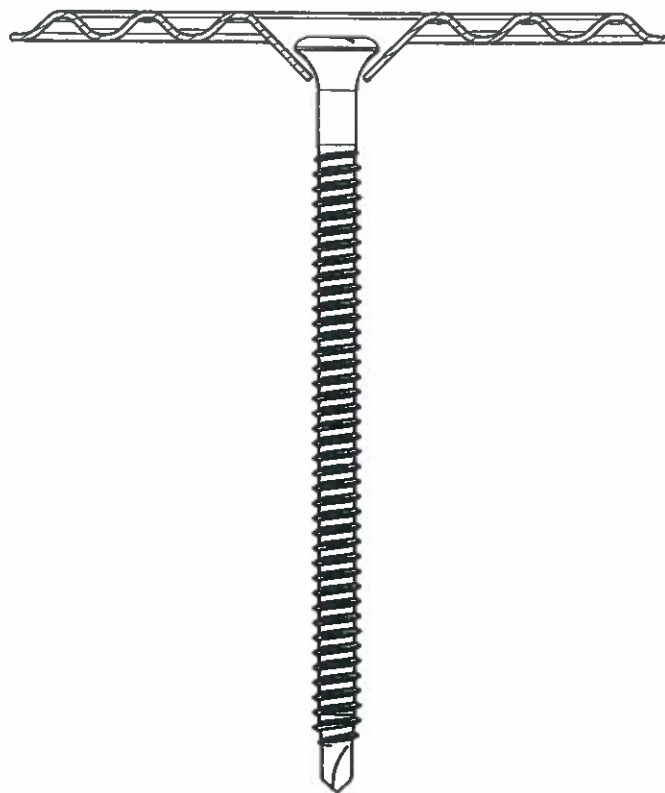


Van Roij Fasteners Europe b.v.

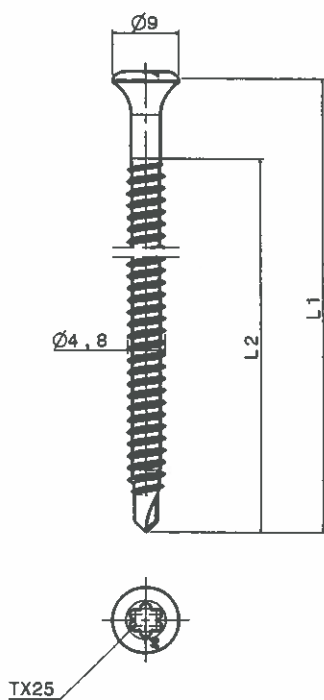
Combination:

Eurofast DVP-EF-7007-N/D
Eurofast EDS-BZTR/BGTR $\varnothing 4,8 \times L$

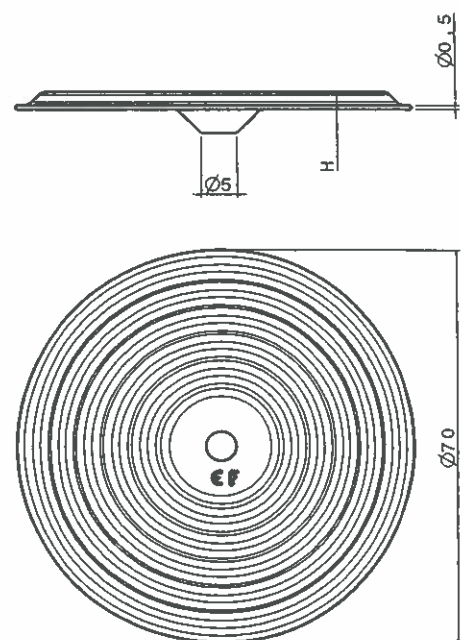
Eurofast® ETA-06/0007
01-03-2016 63 /151



VRF Eurofast EDS-SRB



VRF Eurofast
DVP-EF-7007-N/D

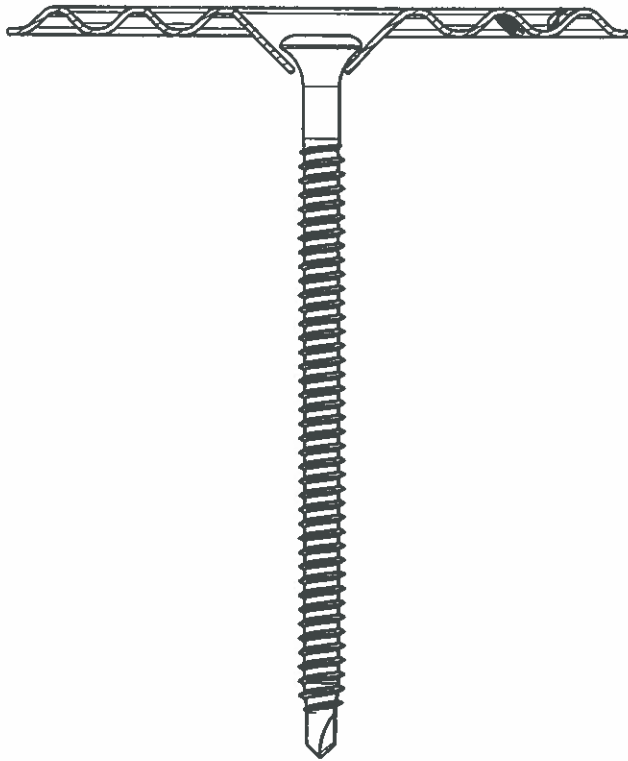


Van Roij Fasteners Europe b.v.

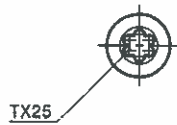
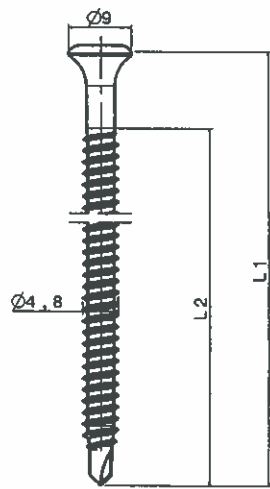
Combination:

Eurofast DVP-EF 7007 N/D
Eurofast EDS-SRB $\varnothing 4,8 \times L$

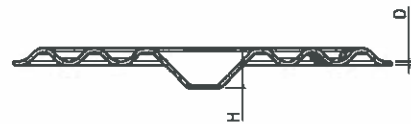
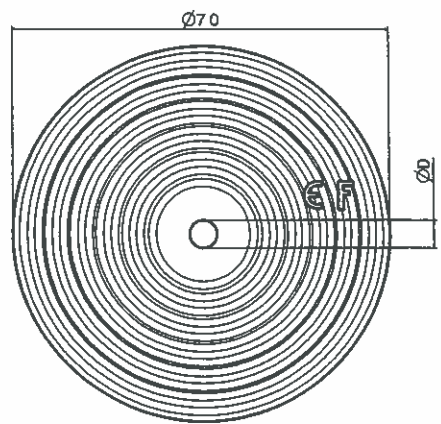
Eurofast® ETA-06/0007
01-03-2016 64 /151



VRF Eurofast EDS-B



VRF Eurofast
DVP-EF-7007-N/D

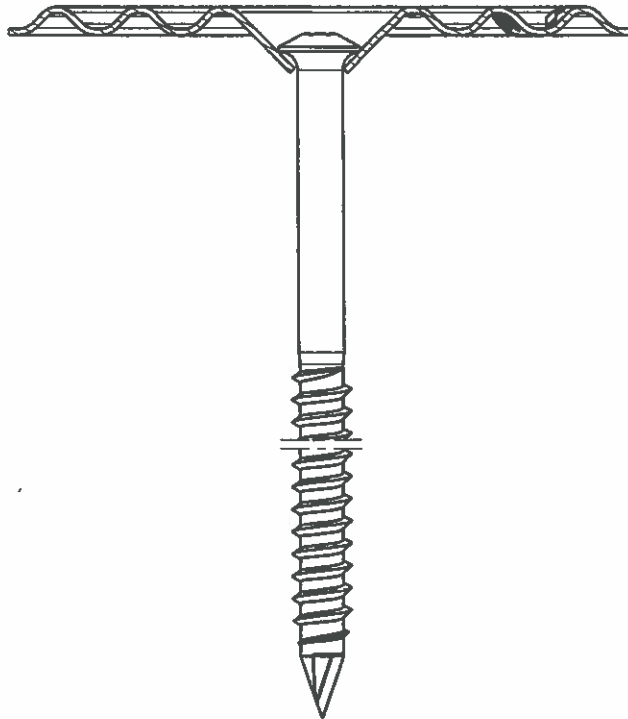


Van Roij Fasteners Europe b.v.

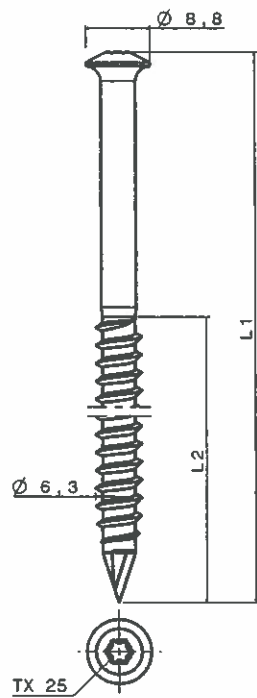
Combination:

Eurofast DVP-EF-7007-N/D
Eurofast EDS -B $\varnothing 4,8 \times L$

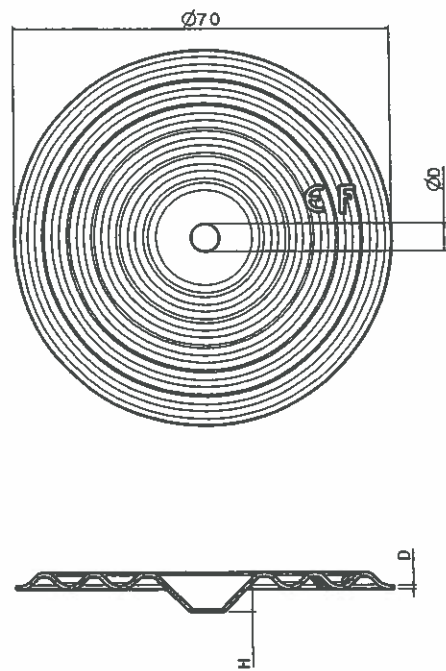
Eurofast® ETA-06/0007
01-03-2016 65 /151



VRF Eurofast EFHD



VRF Eurofast
DVP-EF-7007-N/D

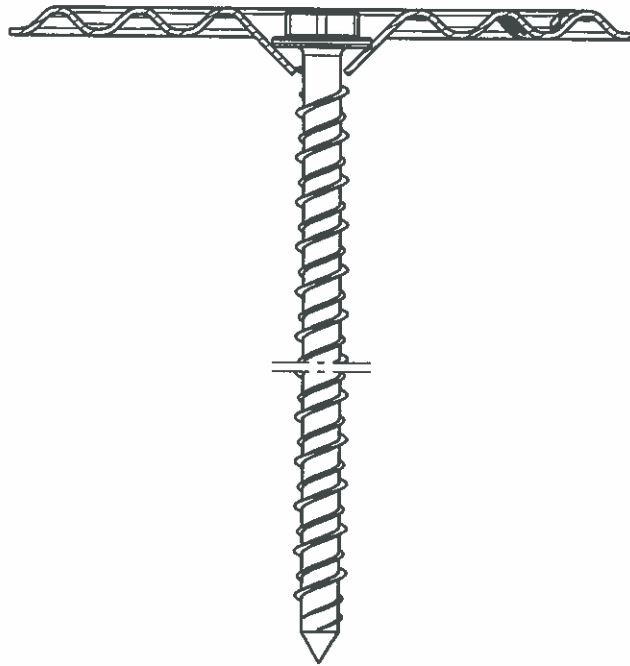


Van Roij Fasteners Europe b.v.

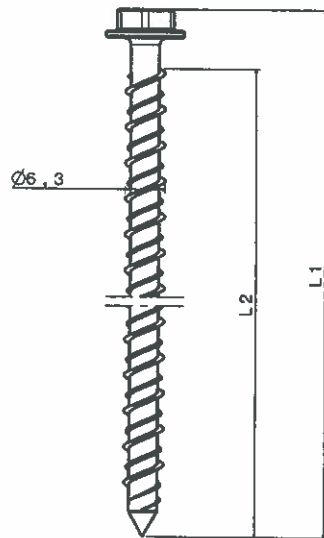
Combination:

Eurofast DVP-EF-7007-N/D
Eurofast EFHD $\varnothing 6,3 \times L$

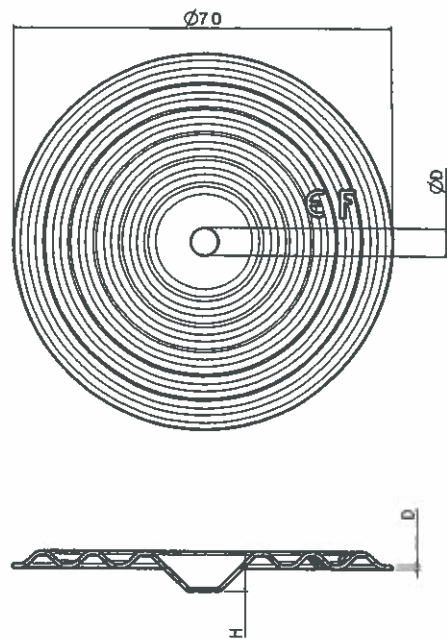
Eurofast® ETA-06/0007
01-03-2016 66/151



VRF Eurofast DFCF



VRF Eurofast
DVP-EF-7007-N/D

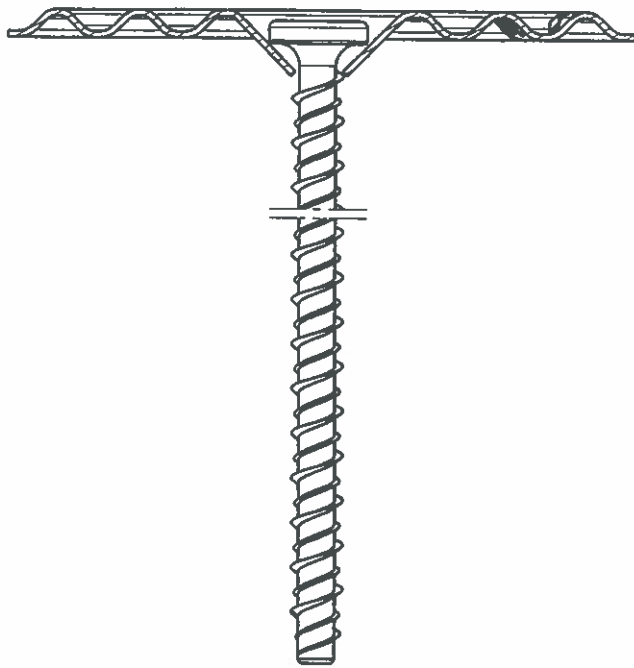


Van Roij Fasteners Europe b.v.

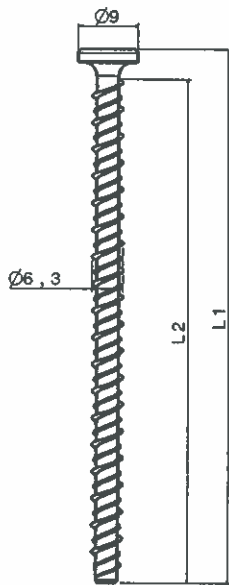
Combination:

Eurofast DVP-EF-7007-N/D
Eurofast DFCF $\varnothing 6,3 \times L$

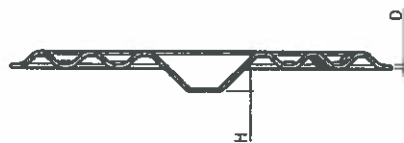
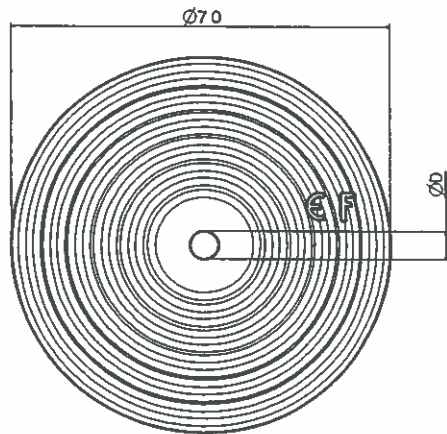
Eurofast® ETA-06/0007
01-03-2016 67/151



VRF Eurofast EFR



VRF Eurofast
DVP-EF-7007 N/D

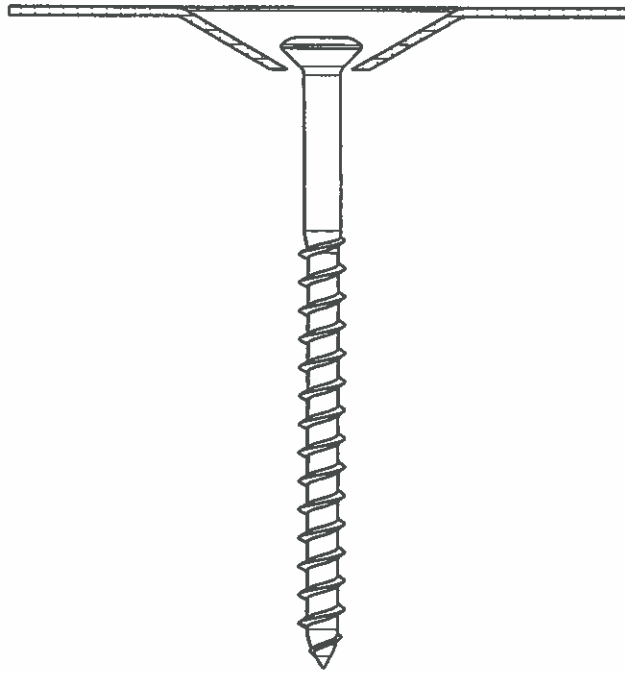


Van Roij Fasteners Europe b.v.

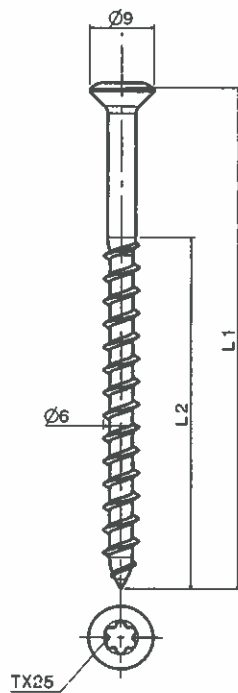
Combination:

Eurofast DVP-EF-7007 N/D
Eurofast EFR $\varnothing 6,3 \times L$

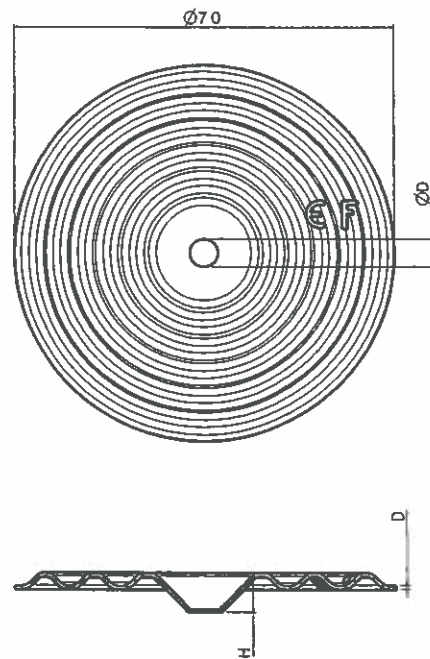
Eurofast® ETA-06/0007
01-03-2016 68 /151



VRF Eurofast GBS A2



VRF Eurofast
DVP-EF-7007-N/D

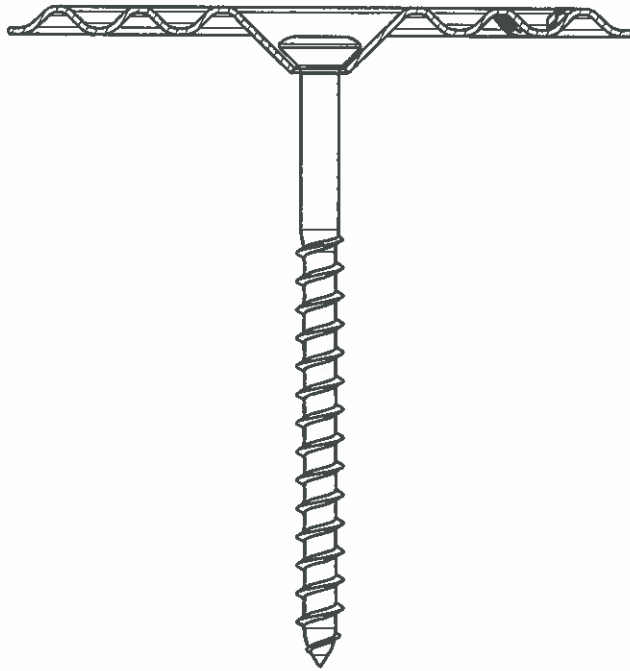


Van Roij Fasteners Europe b.v.

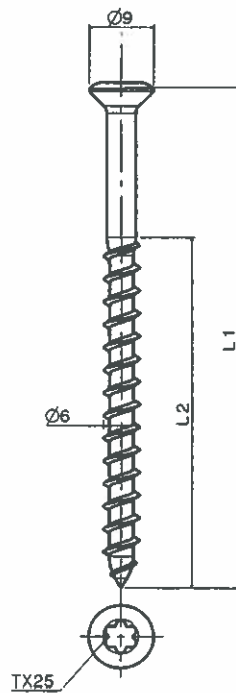
Combination:

Eurofast DVP-EF-7007-N/D
Eurofast GBSA2 $\varnothing 6,0 \times L$

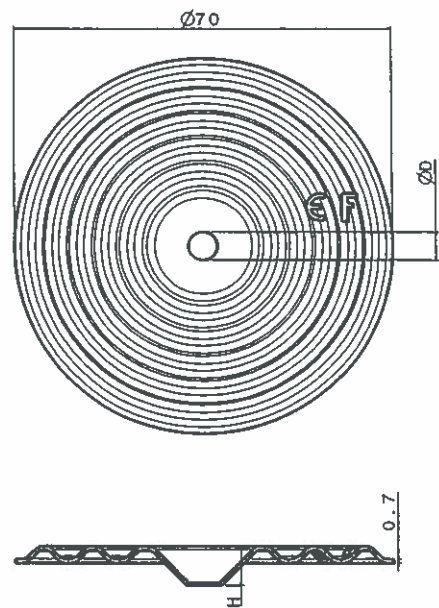
Eurofast® ETA-06/0007
01-03-2016 69/151



VRF Eurofast GBS



VRF Eurofast
DVP-EF-7007-N/D

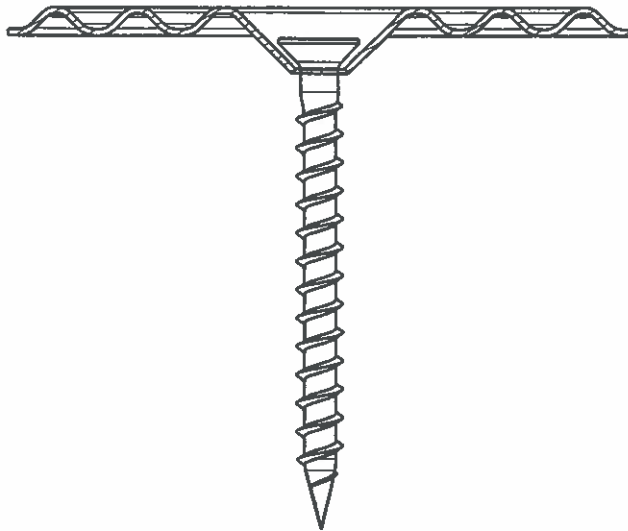


Van Roij Fasteners Europe b.v.

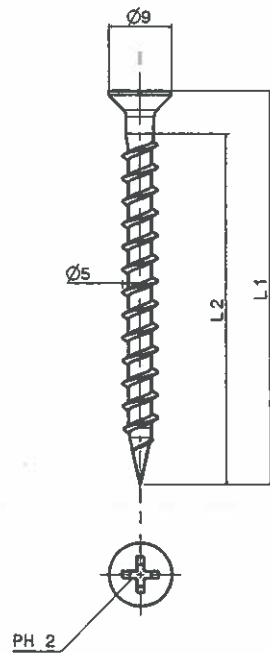
Combination:

Eurofast DVP-EF-7007-N/D
Eurofast GBS $\varnothing 6,0 \times L$

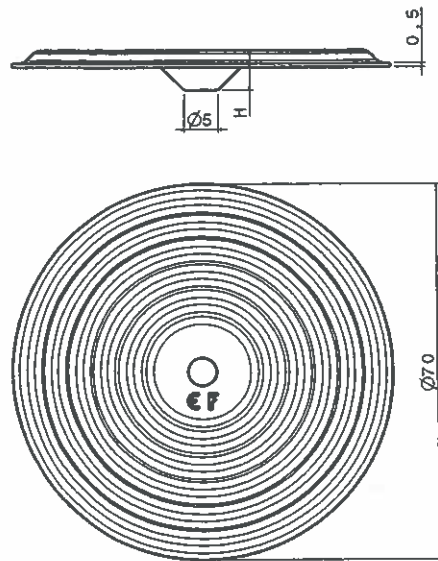
Eurofast® ETA-06/0007
01-03-2016 70 /151



VRF Eurofast EDS-H



VRF Eurofast
DVP-EF-7007-N/D

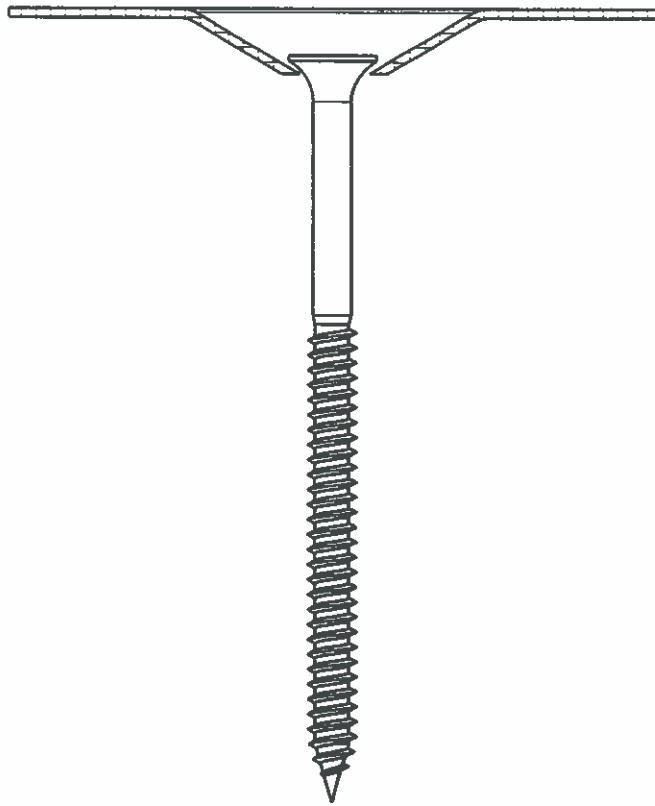


Van Roij Fasteners Europe b.v.

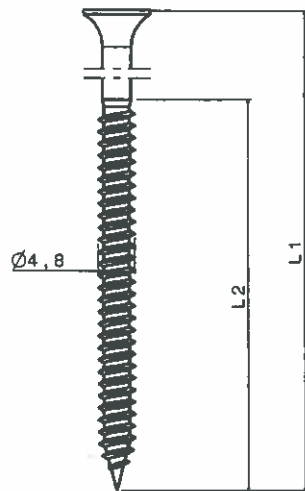
Combination:

Eurofast DVP-EF-7007-N/D
Eurofast EDS -H $\varnothing 5,0 \times L$

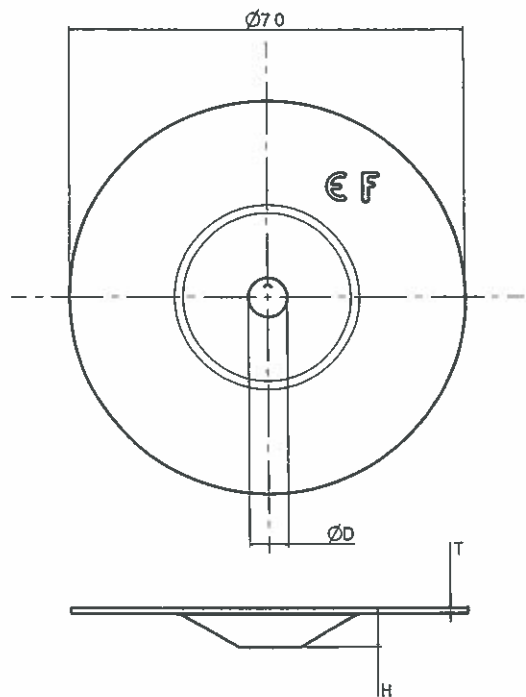
Eurofast® ETA-06/0007
01-03-2016 71 /151



VRF Eurofast EDS-S



VRF Eurofast
DVP-EF-7010- N/D

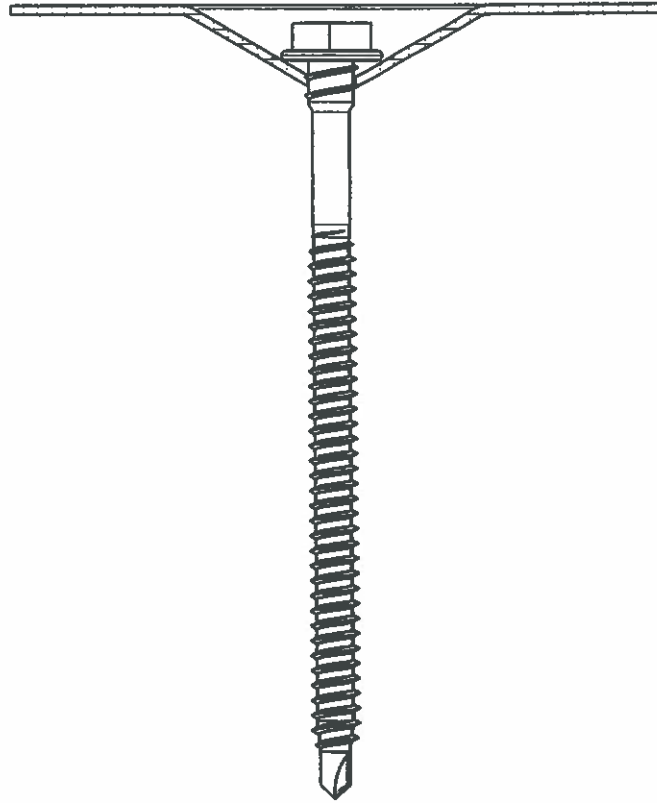


Van Roij Fasteners Europe b.v.

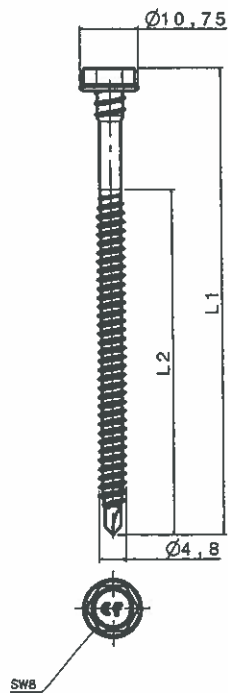
Combination:

Eurofast DVP-EF-7010- N/D
Eurofast EDS-S $\varnothing 4,8 \times L$

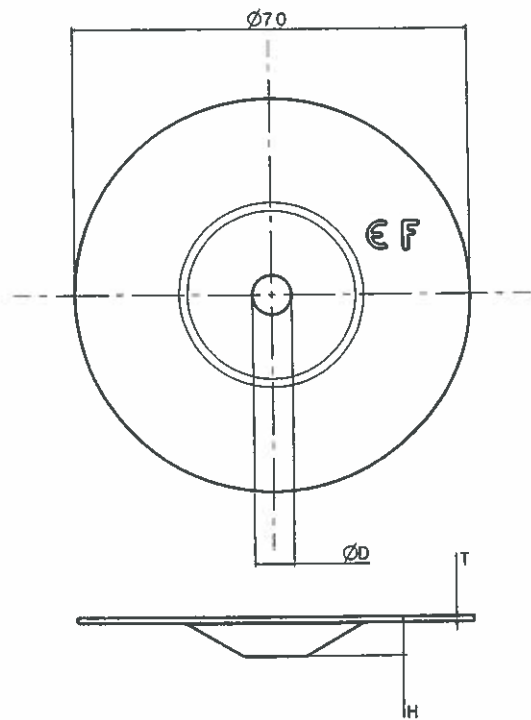
Eurofast® ETA-06/0007
01-03-2016 72 /151



VRF Eurofast EDS-BZT/BGT



**VRF Eurofast
DVP-EF-7010-N/D**

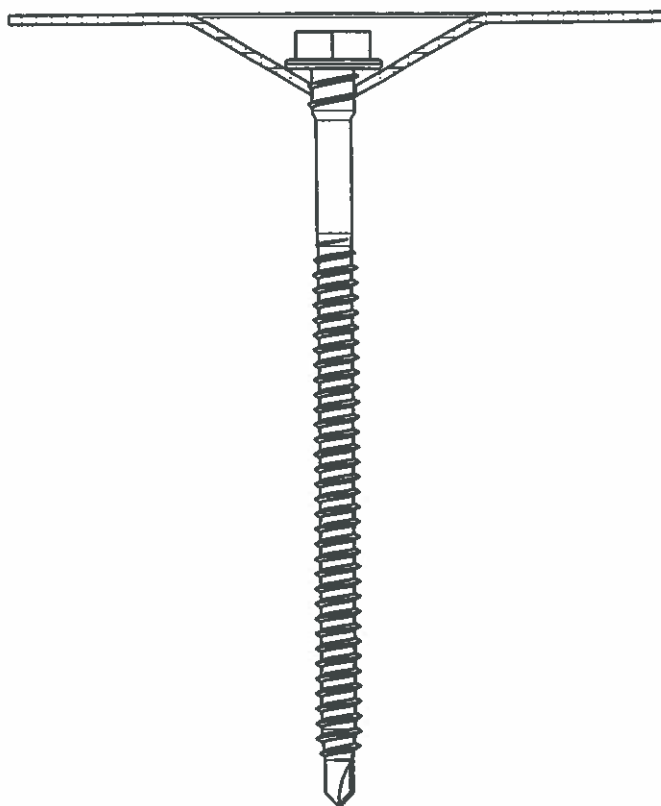


Van Roij Fasteners Europe b.v.

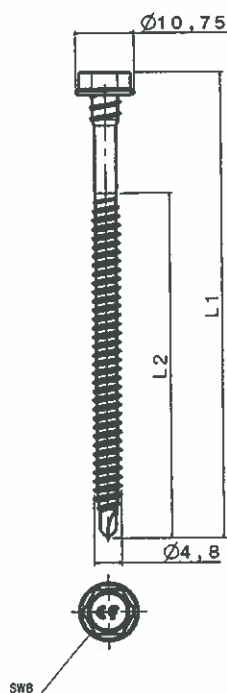
Combination:

Eurofast DVP-EF-7010-N/D
Eurofast EDS-BZT/BGT $\varnothing 4,8 \times L$

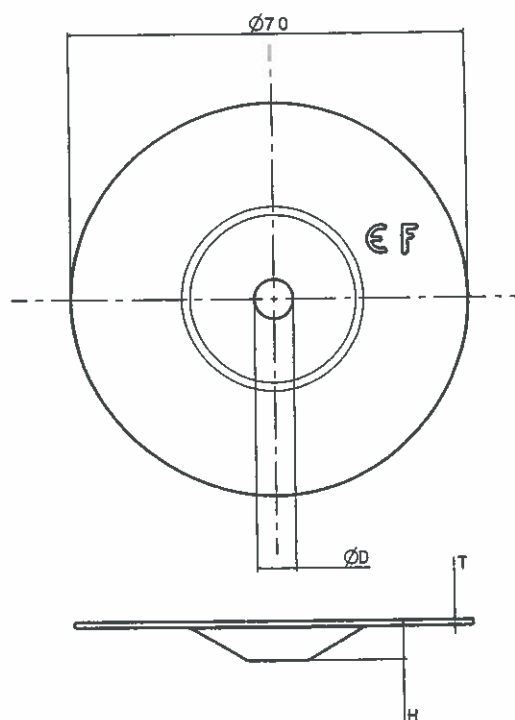
Eurofast® ETA-06/0007
01-03-2016 73 /151



VRF Eurofast EDS-BZTR/BGTR



VRF Eurofast
DVP-EF-7010-N/D

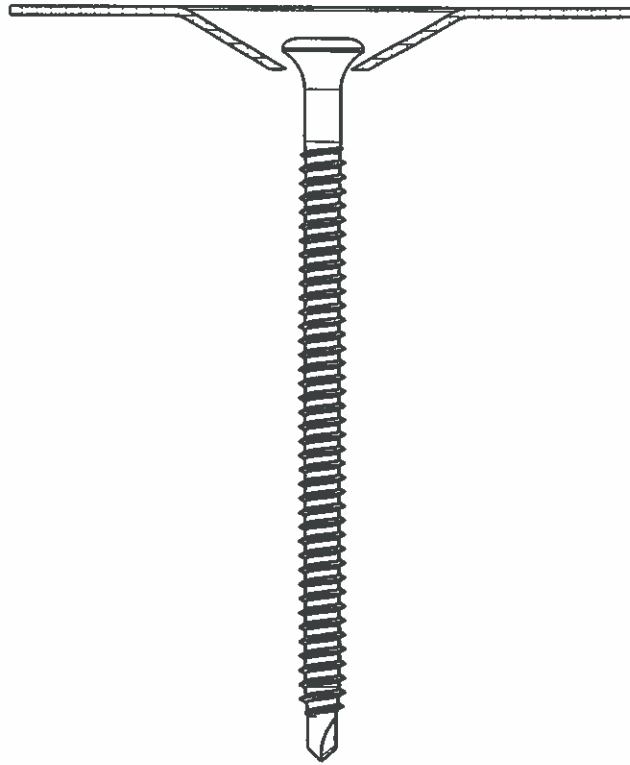


Van Roij Fasteners Europe b.v.

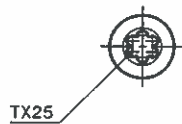
Combination:

Eurofast DVP-EF-7010-N/D
Eurofast EDS-BZTR/BGTR $\varnothing 4,8 \times L$

Eurofast® ETA-06/0007
01-03-2016 74 /151

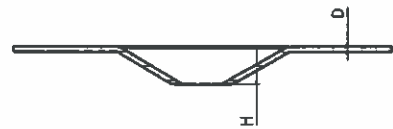
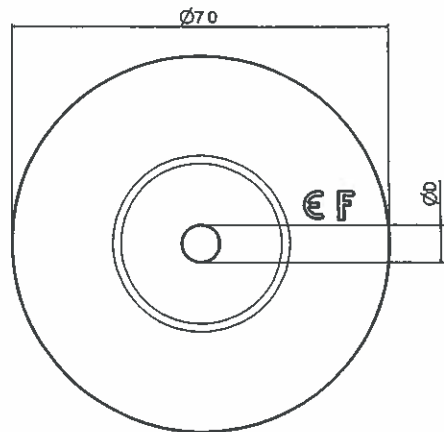


VRF Eurofast EDS-SRB



TX25

VRF Eurofast
DVP-EF-7010-N/D

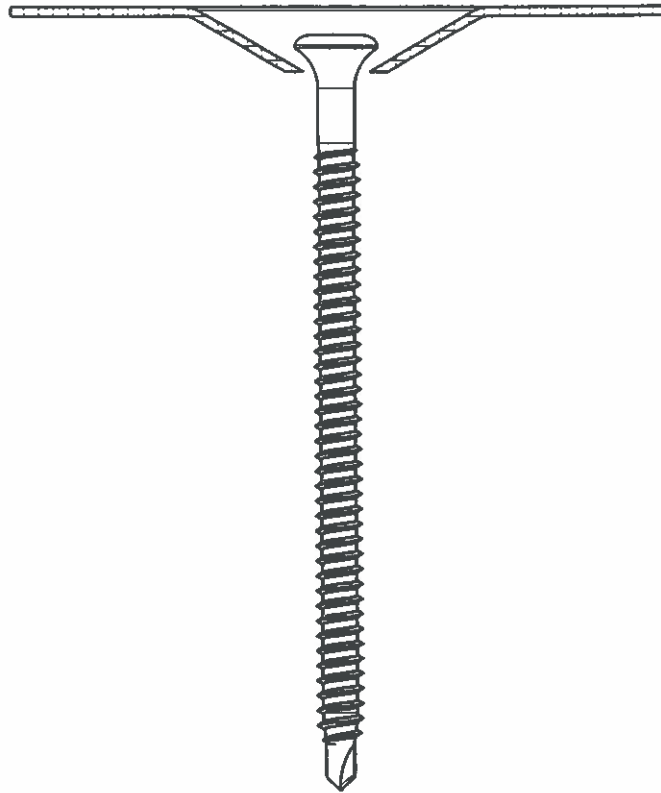


Van Roij Fasteners Europe b.v.

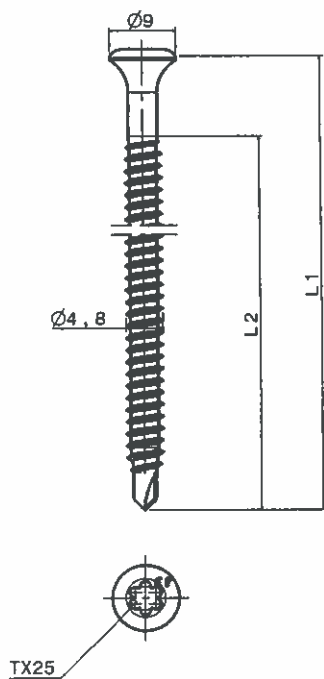
Combination:

Eurofast DVP-EF-7010-N/D
Eurofast EDS-SRB $\varnothing 4,8 \times L$

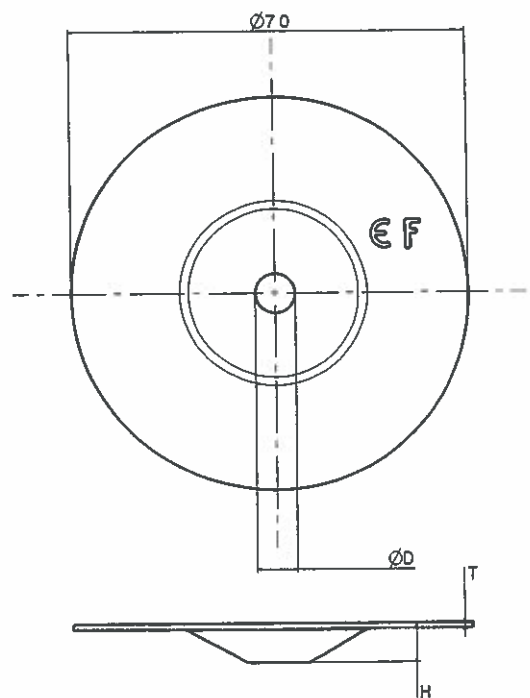
Eurofast® ETA-06/0007
01-03-2016 75 /151



VRF Eurofast EDS-B



VRF Eurofast
DVP-EF-7010-N/D

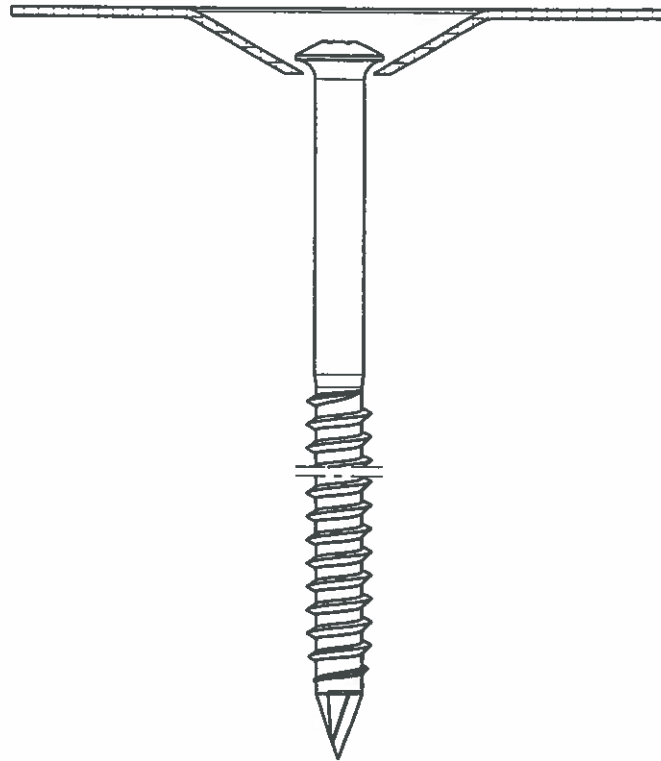


Van Roij Fasteners Europe b.v.

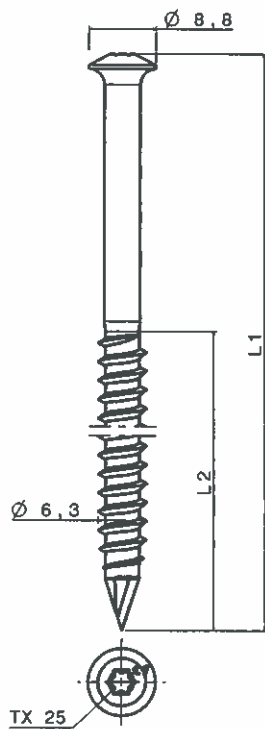
Combination:

Eurofast DVP-EF-7010-N/D
Eurofast EDS -B Φ 4,8 x L

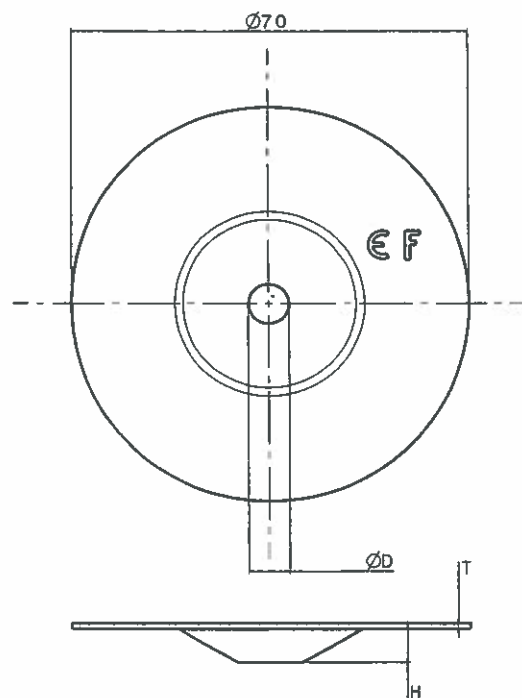
Eurofast® ETA-06/0007
01-03-2016 76/151



VRF Eurofast EFHD



VRF Eurofast
DVP-EF-7010-N/D

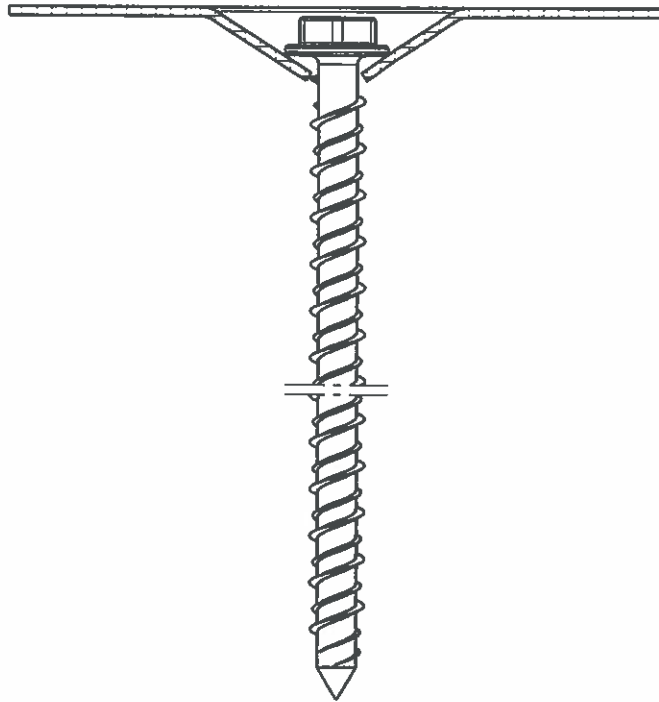


Van Roij Fasteners Europe b.v.

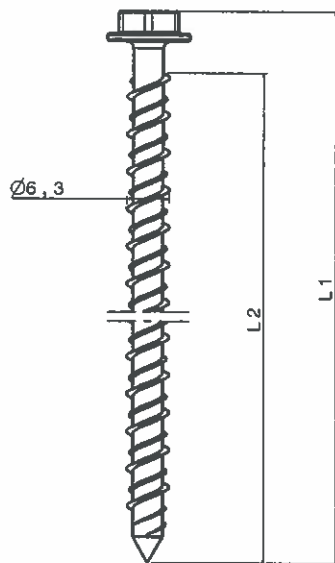
Combination:

Eurofast DVP-EF-7010-N/D
Eurofast EFHD $\varnothing 6,3 \times L$

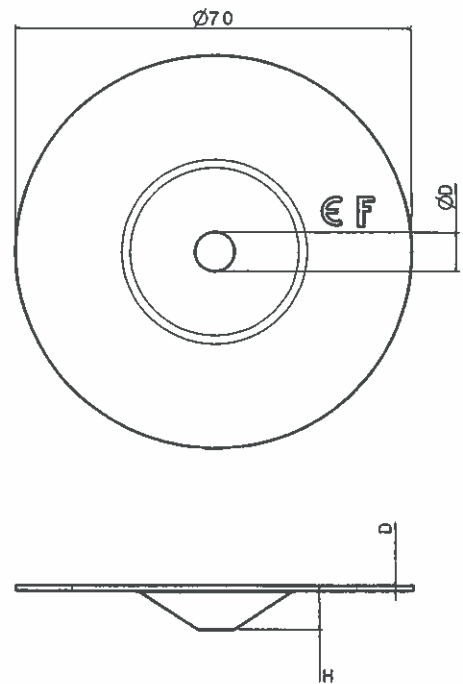
Eurofast® ETA-06/0007
01-03-2016 77 /151



VRF Eurofast DFCF



VRF Eurofast
DVP-EF7010N/D

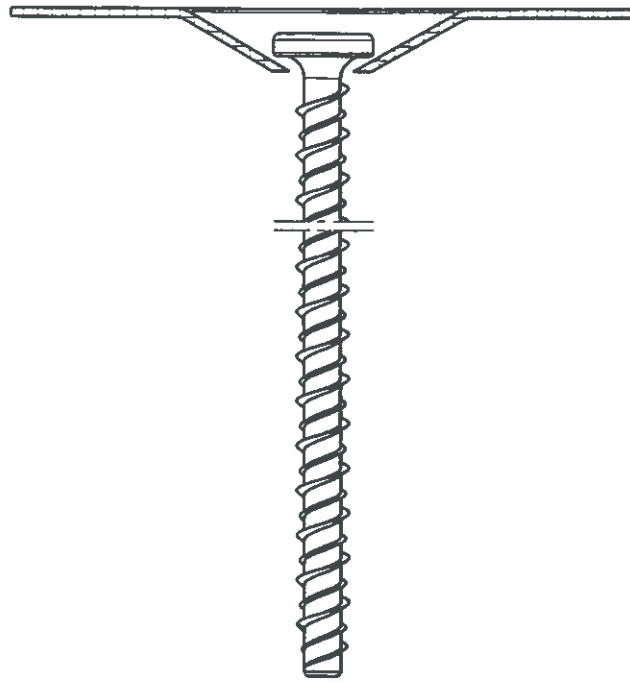


Van Roij Fasteners Europe b.v.

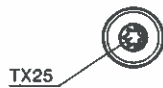
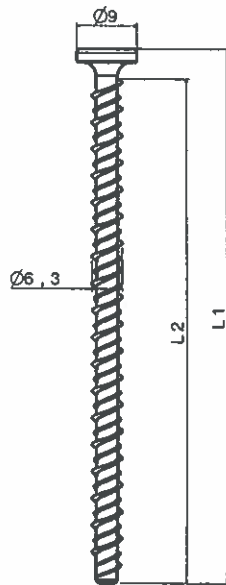
Combination:

Eurofast DVP-EF-7010-ND
Eurofast DFCF $\varnothing 6,3 \times L$

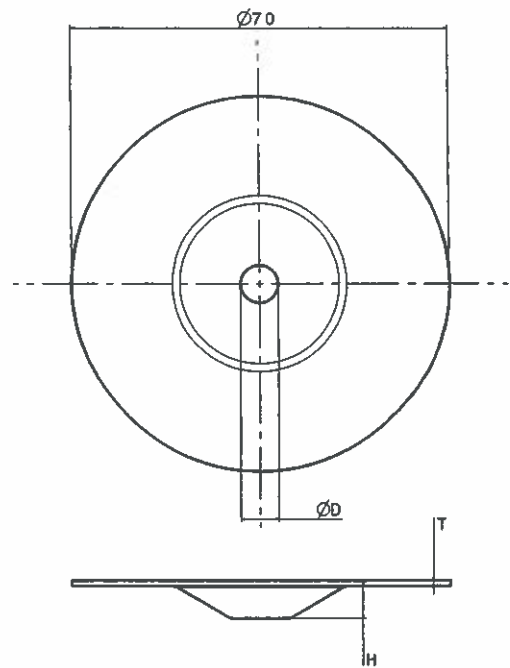
Eurofast® ETA-06/0007
01-03-2016 78 / 151



VRF Eurofast EFR



VRF Eurofast
DVP-EF-7010- N/D

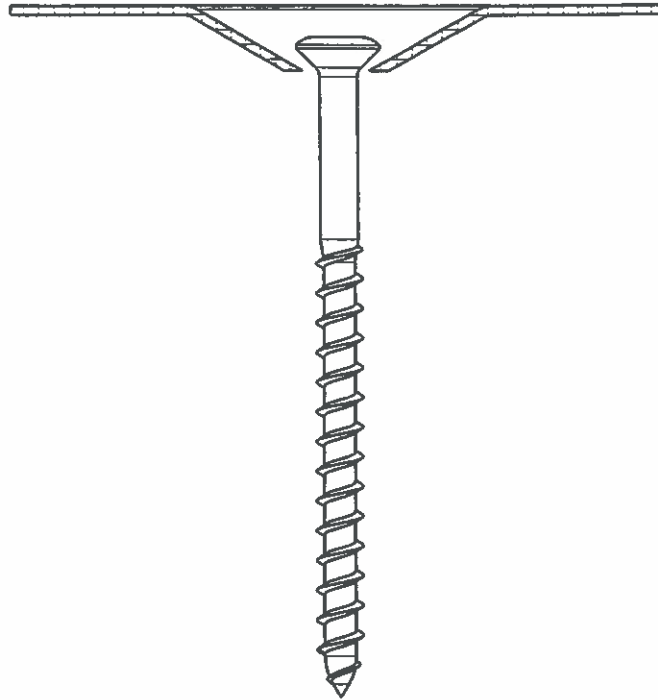


Van Roij Fasteners Europe b.v.

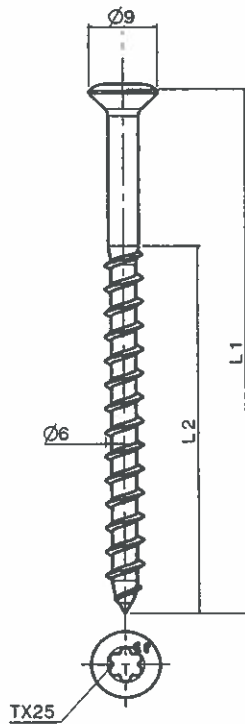
Combination:

Eurofast DVP-EF-7010-N/D
Eurofast EFR $\varnothing 6,3 \times L$

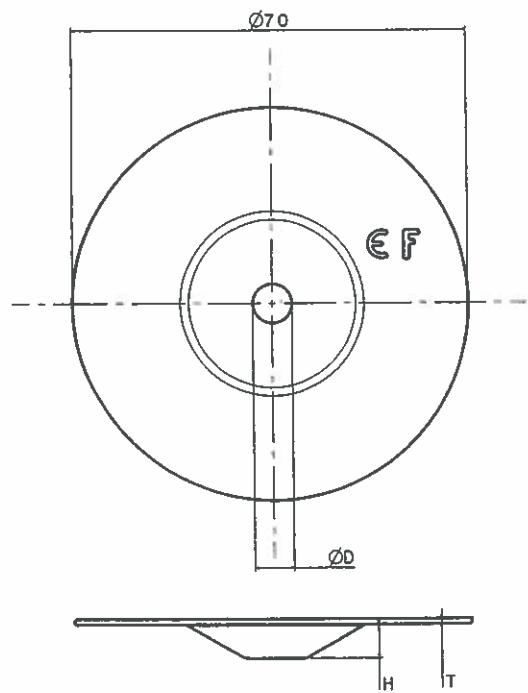
Eurofast® ETA-06/0007
01-03-2016 79 /151



VRF Eurofast GBS A2



VRF Eurofast
DVP-EF-7010-N/D

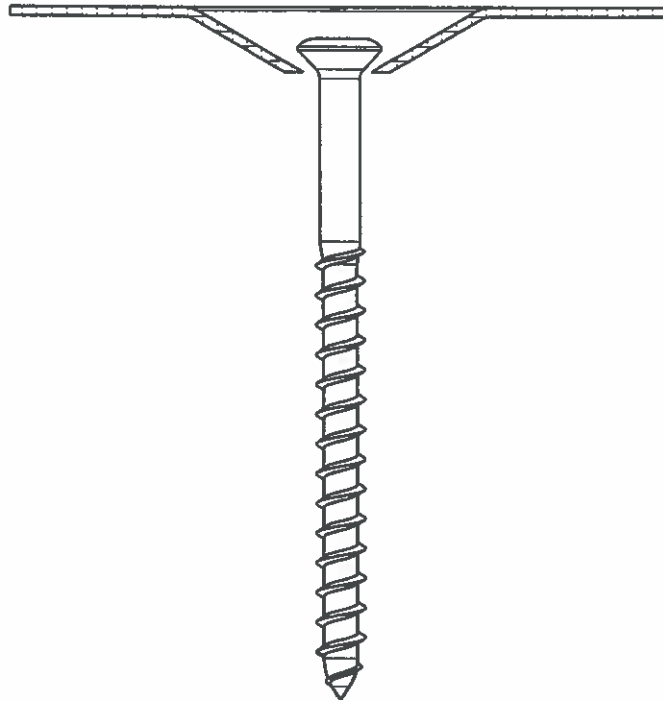


Van Roij Fasteners Europe b.v.

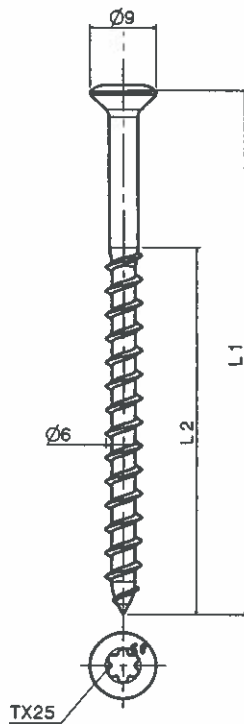
Combination:

Eurofast DVP-EF-7010-N/D
Eurofast GBSA2 $\varnothing 6,0 \times L$

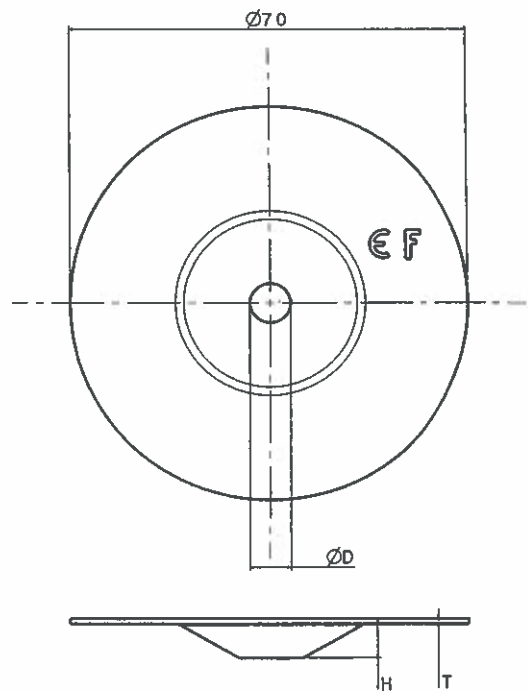
Eurofast® ETA-06/0007
01-03-2016 80/151



VRF Eurofast GBS



**VRF Eurofast
DVP-EF-7010-N/D**

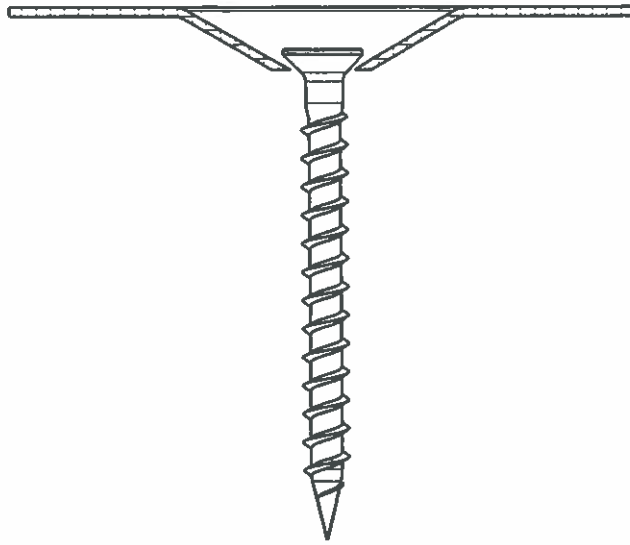


Van Roij Fasteners Europe b.v.

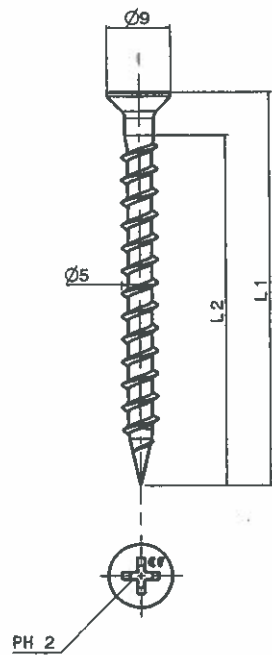
Combination:

Eurofast DVP-EF-7010-N/D
Eurofast GBS $\varnothing 6,0 \times L$

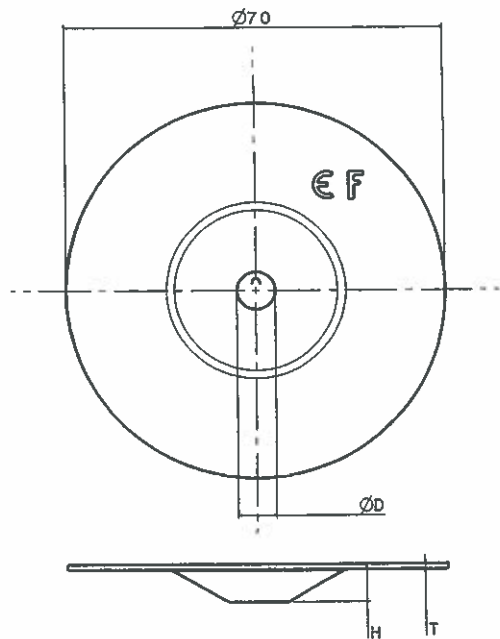
Eurofast® ETA-06/0007
01-03-2016 81 /151



VRF Eurofast EDS-H



**VRF Eurofast
DVP-EF-7010-N/D**

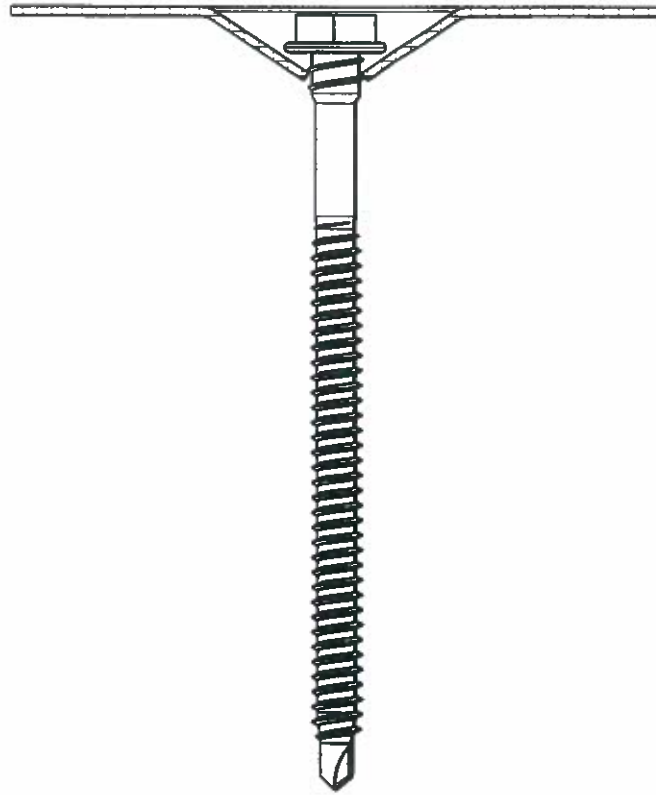


Van Roij Fasteners Europe b.v.

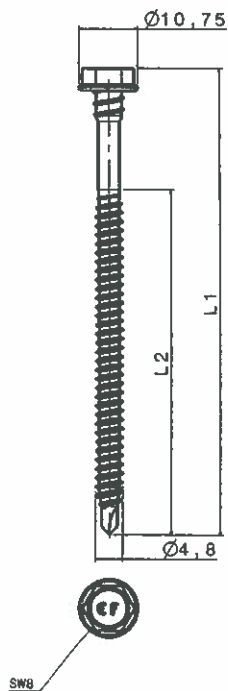
Combination:

Eurofast DVP-EF-7010-N/D
Eurofast EDS -H $\varnothing 5,0 \times L$

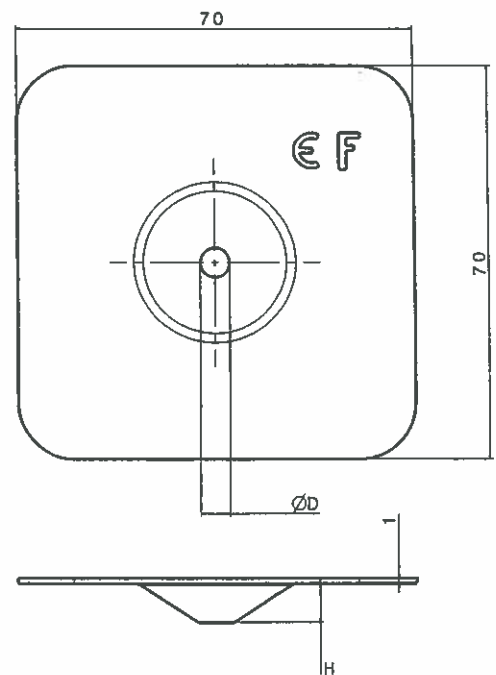
Eurofast® ETA-06/0007
01-03-2016 82 /151



VRF Eurofast EDS-BZT/BGT



VRF Eurofast
DVP-DF/EF-7070D

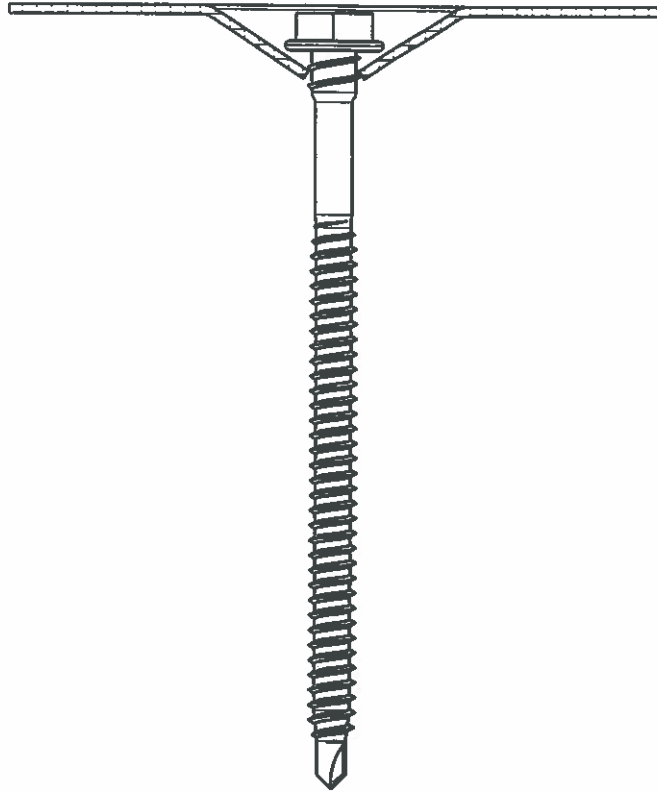


Van Roij Fasteners Europe b.v.

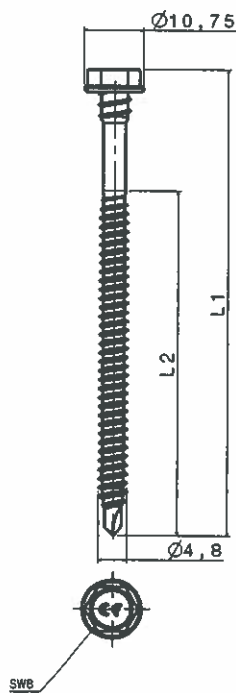
Combination:

Eurofast DVP-DF/EF-7070D
Eurofast EDS-BZT/BGT $\varnothing 4,8 \times L$

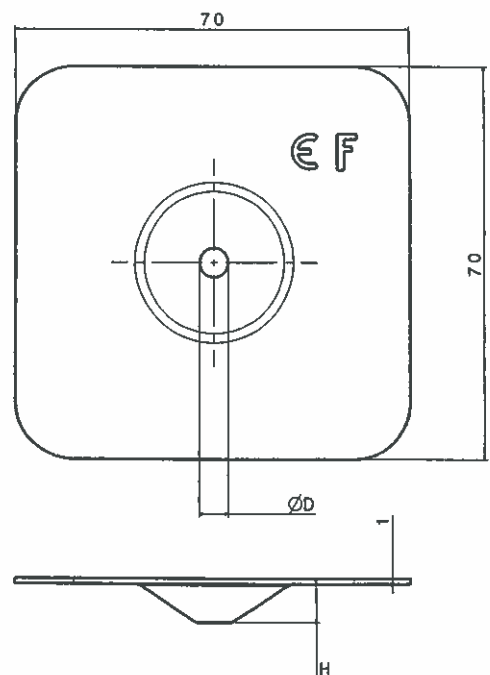
Eurofast® ETA-06/0007
01-03-2016 83 /151



VRF Eurofast EDS-BZTR/BGTR



VRF Eurofast
DVP-DF/EF-7070D

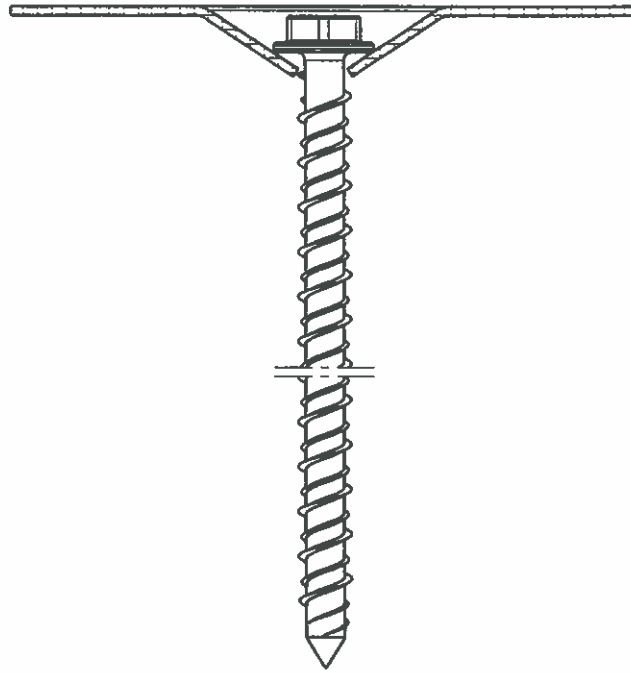


Van Roij Fasteners Europe b.v.

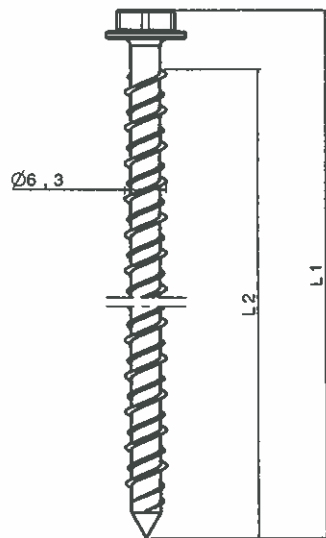
Combination:

Eurofast DVP-DF/EF-7070D
Eurofast EDS-BZTR/BGTR $\varnothing 4,8 \times L$

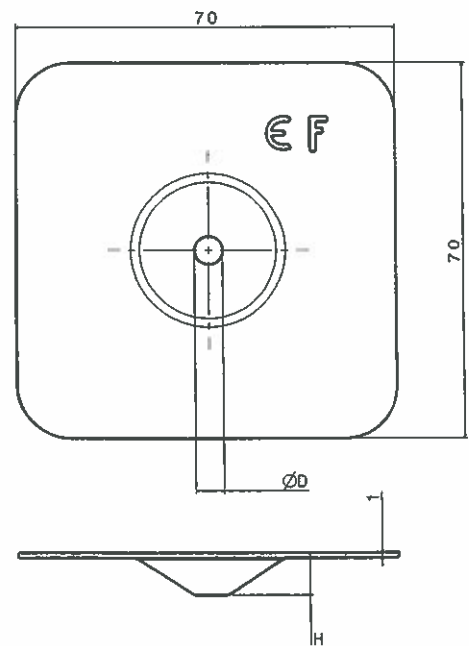
Eurofast® ETA-06/0007
01-03-2016 84 / 151



VRF Eurofast DFCF



VRF Eurofast
DVP-DF/EF-7070D

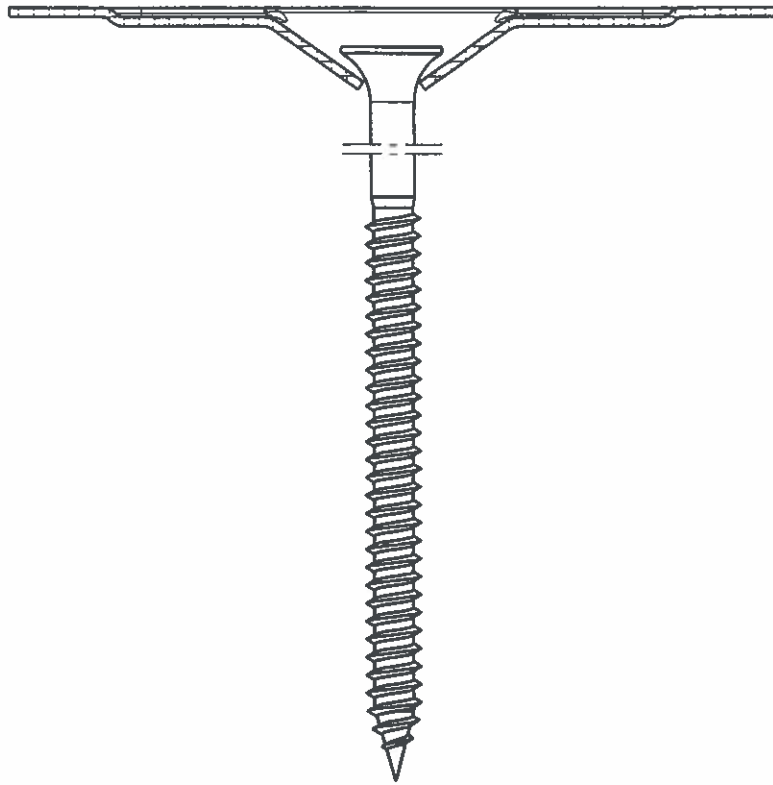


Van Roij Fasteners Europe b.v.

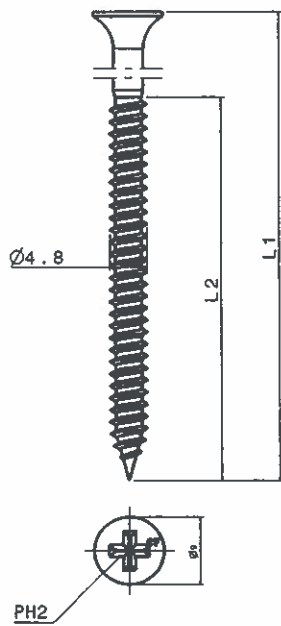
Combination:

Eurofast DVP-DF/EF-7070D
Eurofast DFCF $\varnothing 6,3 \times L$

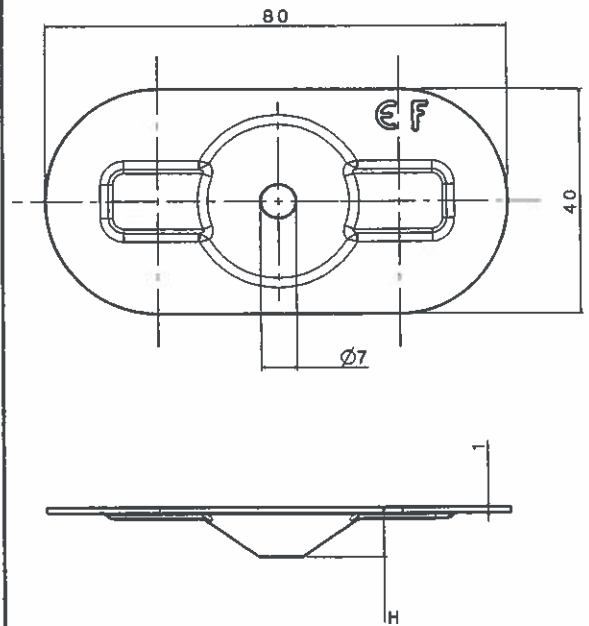
Eurofast® ETA-06/0007
01-03-2016 85 /151



VRF Eurofast EDS-S



VRF Eurofast
DVP-EF-8040D

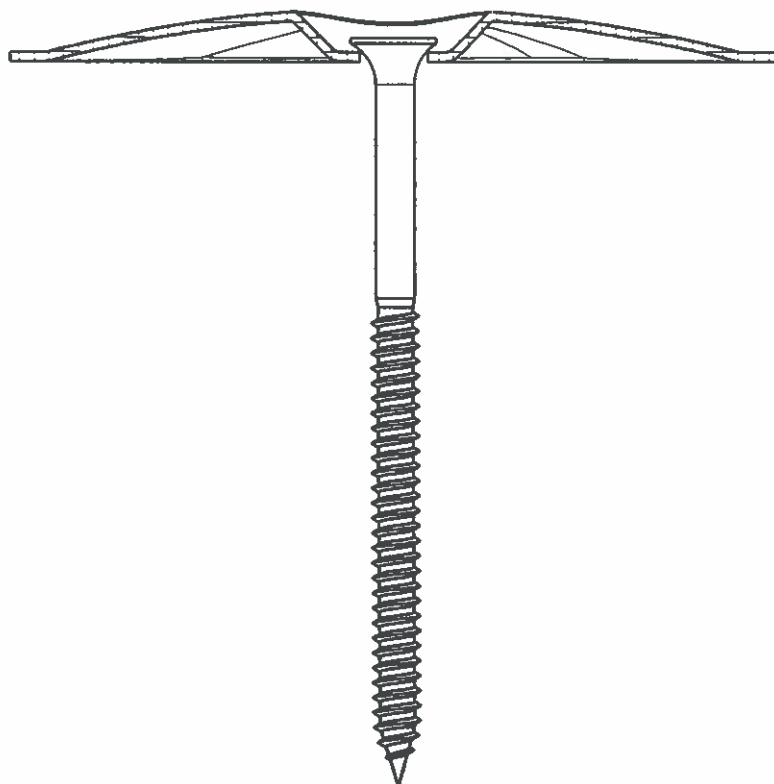


Van Roij Fastener Europe b.v.

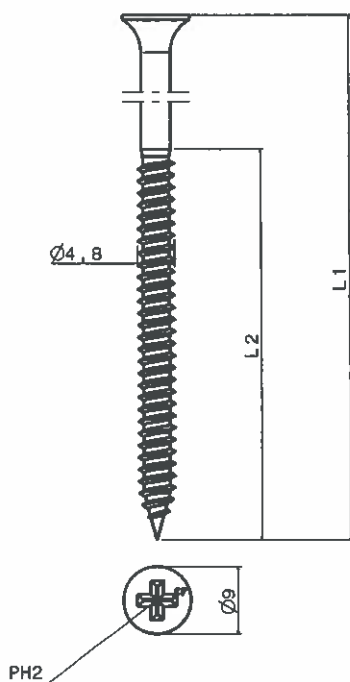
Combination:

Eurofast DVP-EF-8040D
Eurofast EDS-S \varnothing 4,8 x L

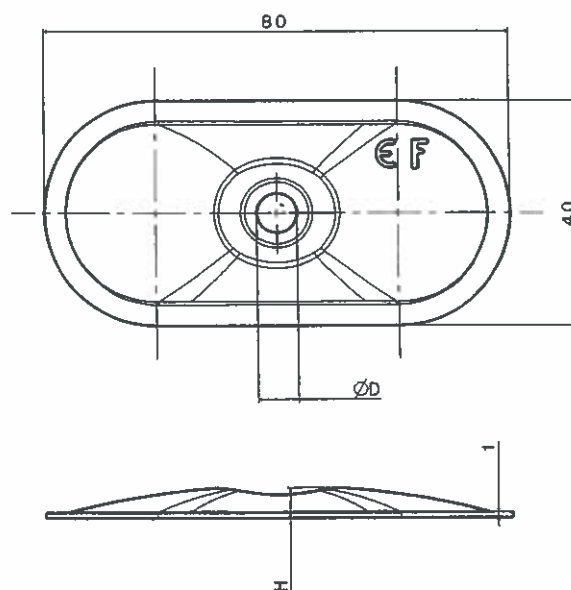
Eurofast® ETA-06/0007
01-03-2016 86 /151



VRF Eurofast EDS-S



Eurofast
DVP-EF-8040N/H/XH

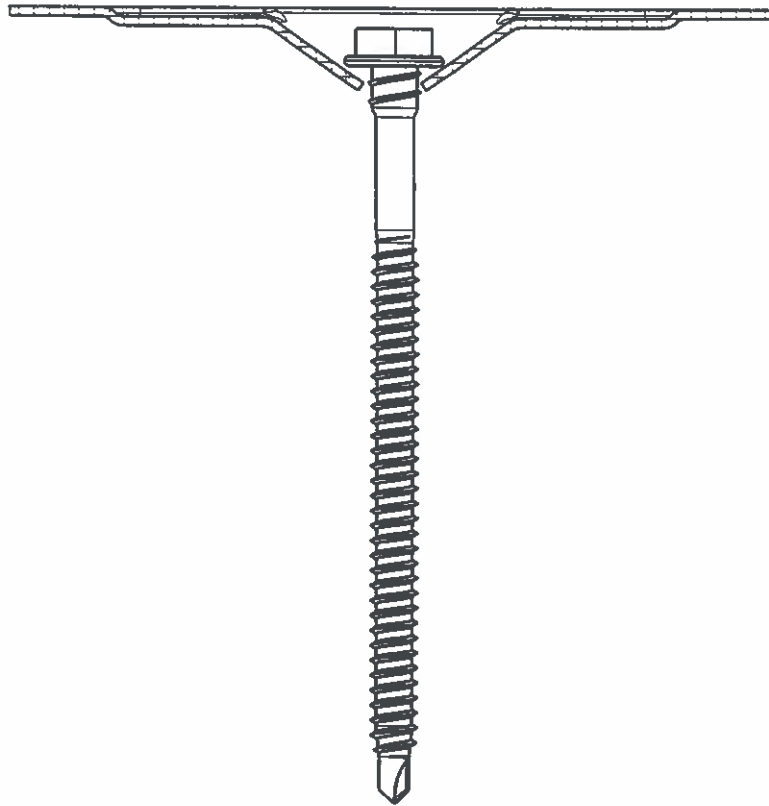


Van Roij Fasteners Europe b.v.

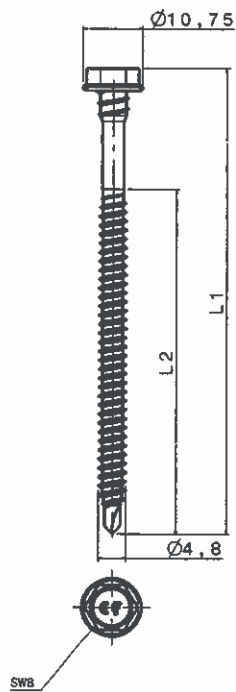
Combination:

Eurofast DVP-EF-8040N/H/XH
Eurofast EDS-S $\varnothing 4,8 \times L$

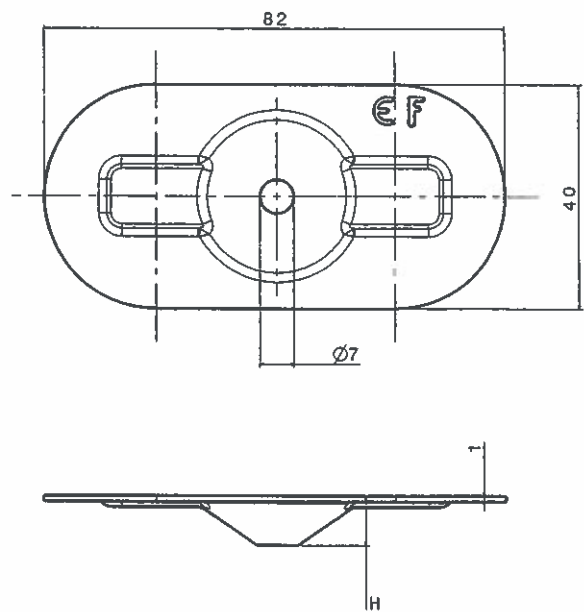
Eurofast® ETA-06/0007
01-03-2016 87 / 151



VRF Eurofast EDS-BZT/BGT



VRF Eurofast
DVP-EF-8040D

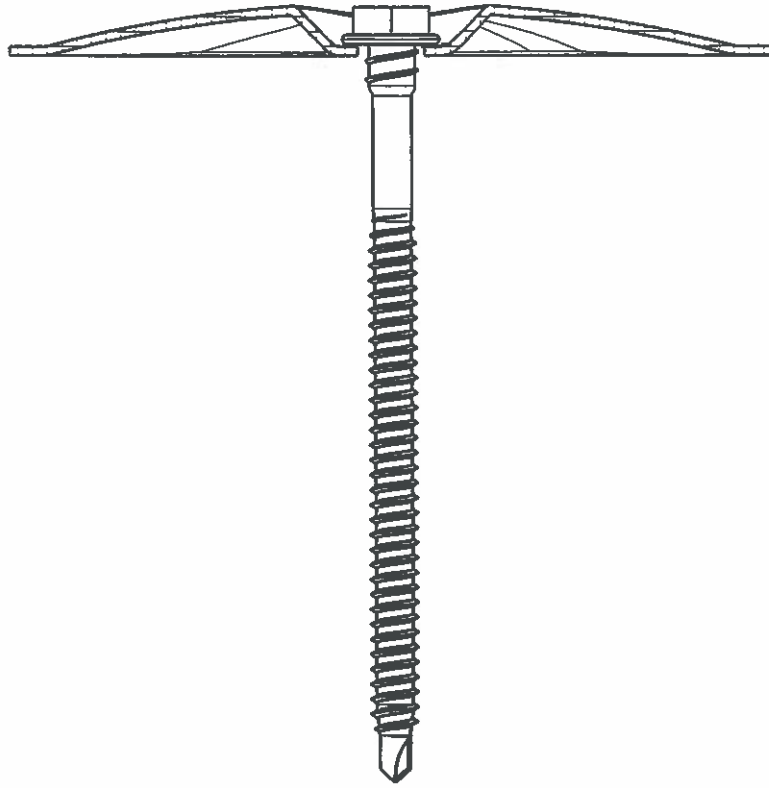


Van Roij Fasteners Europe b.v.

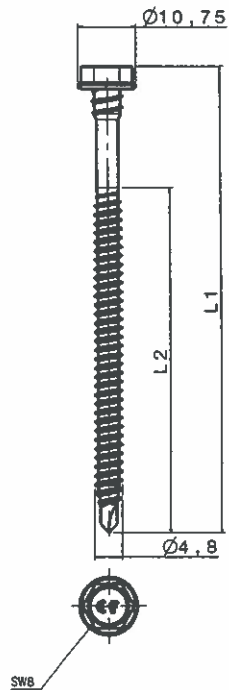
Combination:

Eurofast DVP-EF-8040D
Eurofast EDS-BZT/BGT $\varnothing 4,8 \times L$

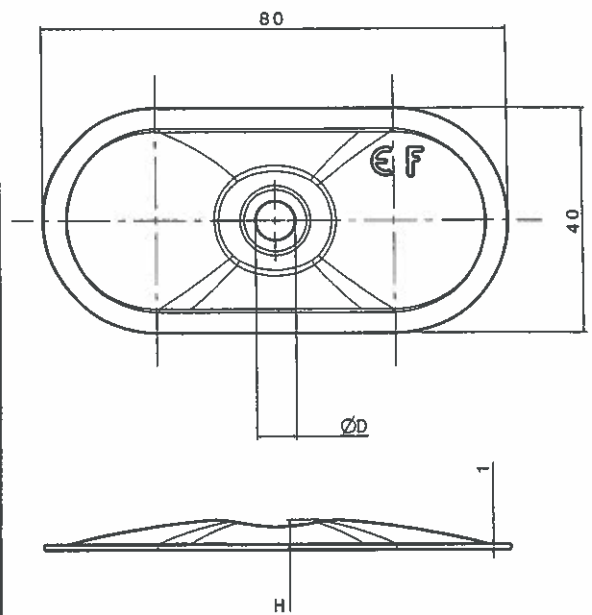
Eurofast® ETA-06/0007
01-03-2016 88 / 151



VRF Eurofast EDS-BZT/BGT



VRF Eurofast
DVP-EF-8040N/H/XH

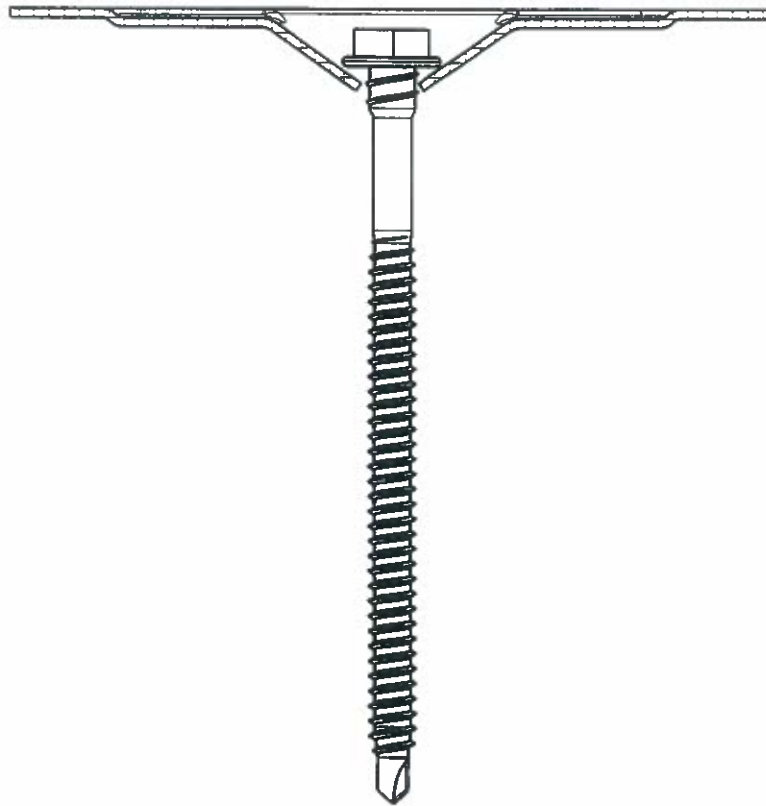


Van Roij Fasteners Europe b.v.

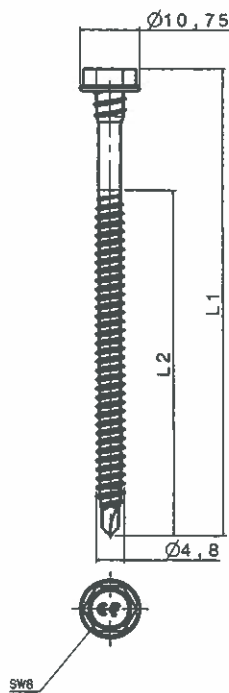
Combination:

Eurofast DVP-EF-8040N/H/XH
Eurofast EDS-BZT/BGT $\varnothing 4,8 \times L$

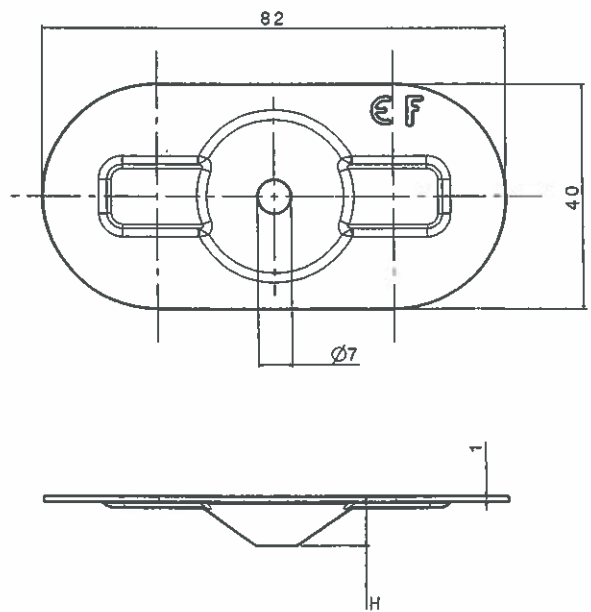
Eurofast® ETA-06/0007
01-03-2016 89/151



VRF Eurofast EDS-BZTR/BGTR



VRF Eurofast
DVP-EF-8040D

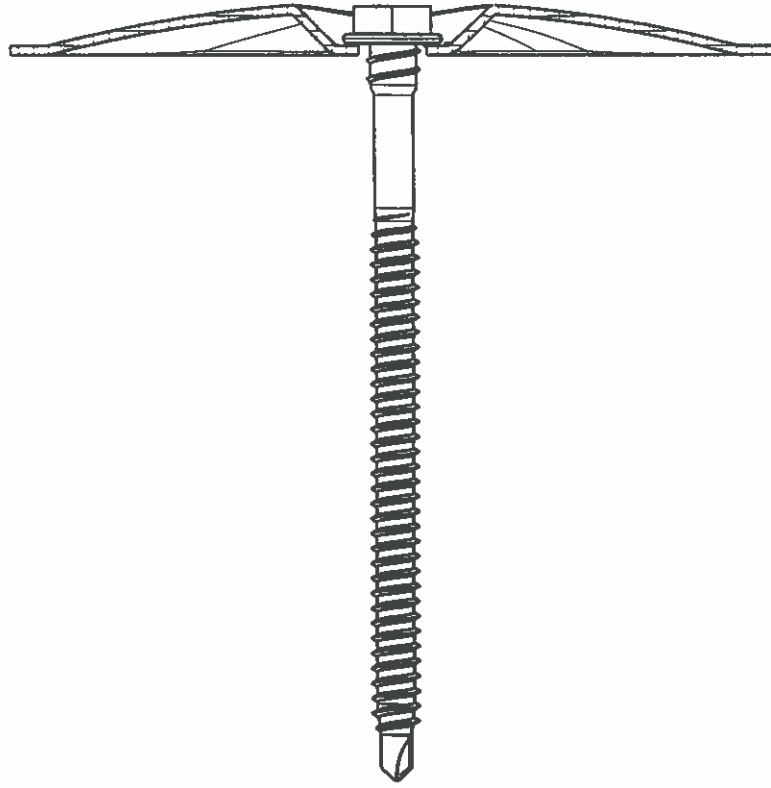


Van Roij Fasteners Europe b.v.

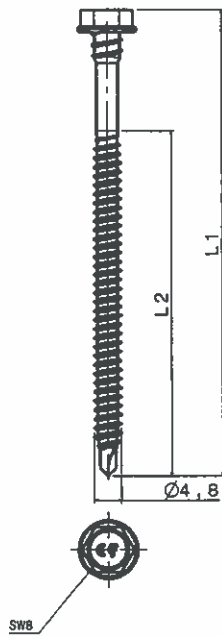
Combination:

Eurofast DVP-EF-8040D
Eurofast EDS-BZTR/BGTR $\varnothing 4,8 \times L$

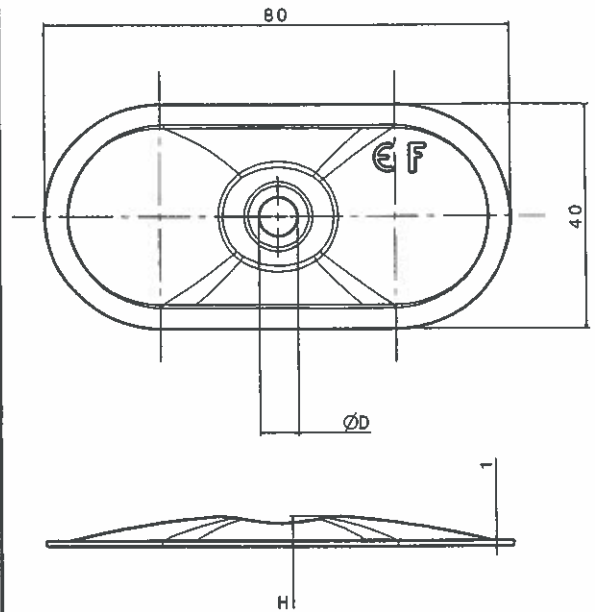
Eurofast® ETA-06/0007
01-03-2016 90 /151



VRF Eurofast EDS-BZTR/BGTR



VRF Eurofast
DVP-EF-8040N/H/XH

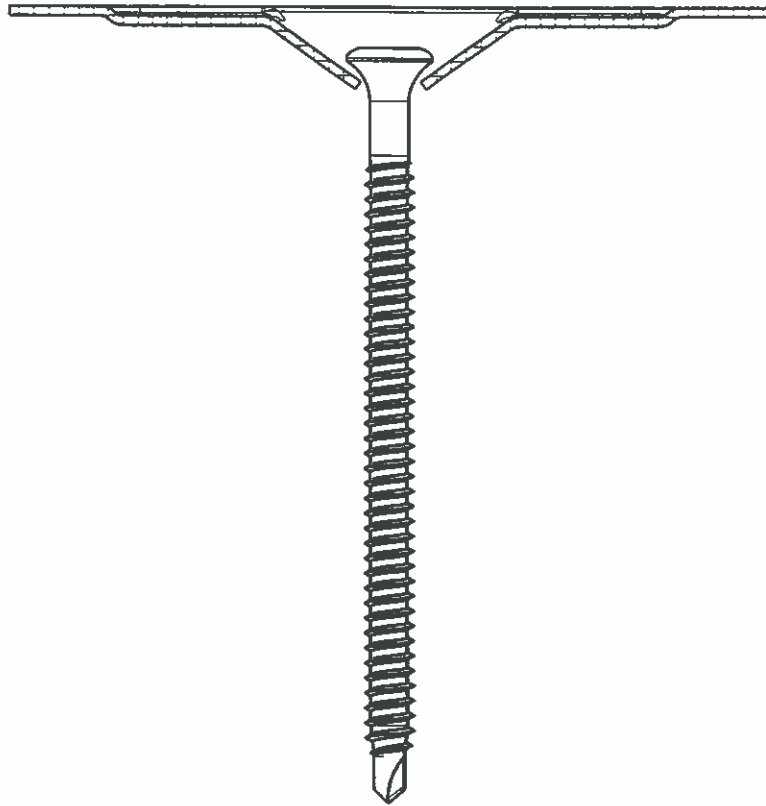


Van Roij Fasteners Europe b.v.

Combination:

Eurofast DVP-EF-8040N/H/XH
Eurofast EDS-BZTR/BGTR $\phi 4,8 \times L$

Eurofast® ETA-06/0007
01-03-2016 91 /151

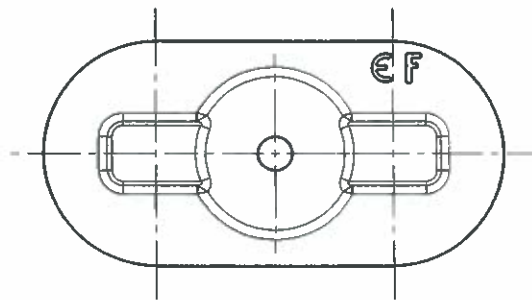


VRF Eurofast EDS-SRB



TX25

VRF Eurofast
DVP-EF-8040D

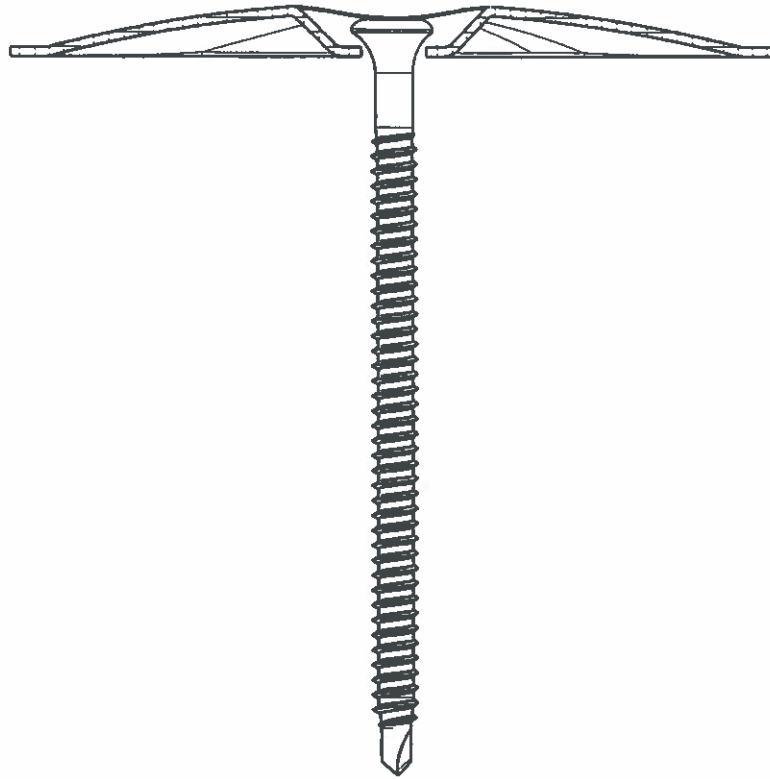


Van Roij Fasteners Europe b.v.

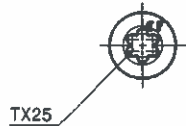
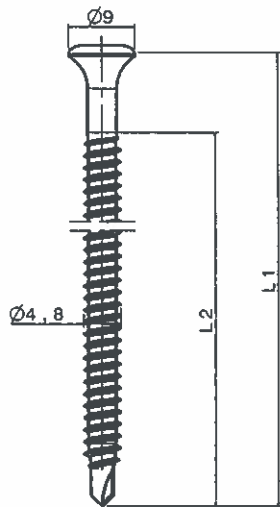
Combination:

Eurofast DVP-EF-8040D
Eurofast EDS- SRB $\Phi 4,8 \times L$

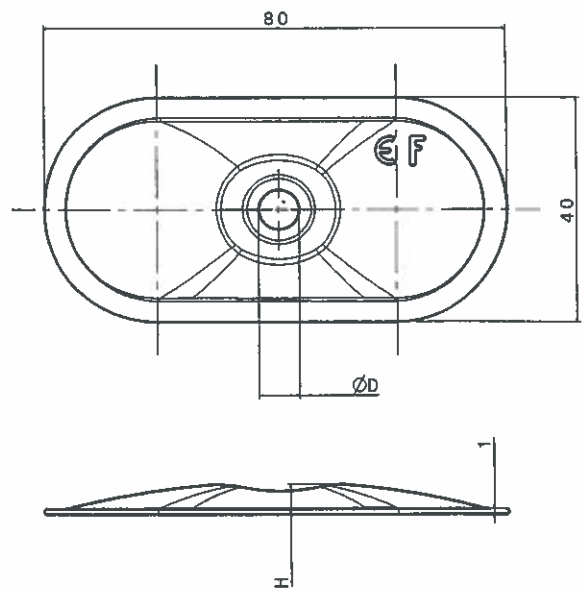
Eurofast® ETA-06/0007
01-03-2016 92 /151



VRF Eurofast EDS-SRB



Eurofast
DVP-EF-8040N/H/XH

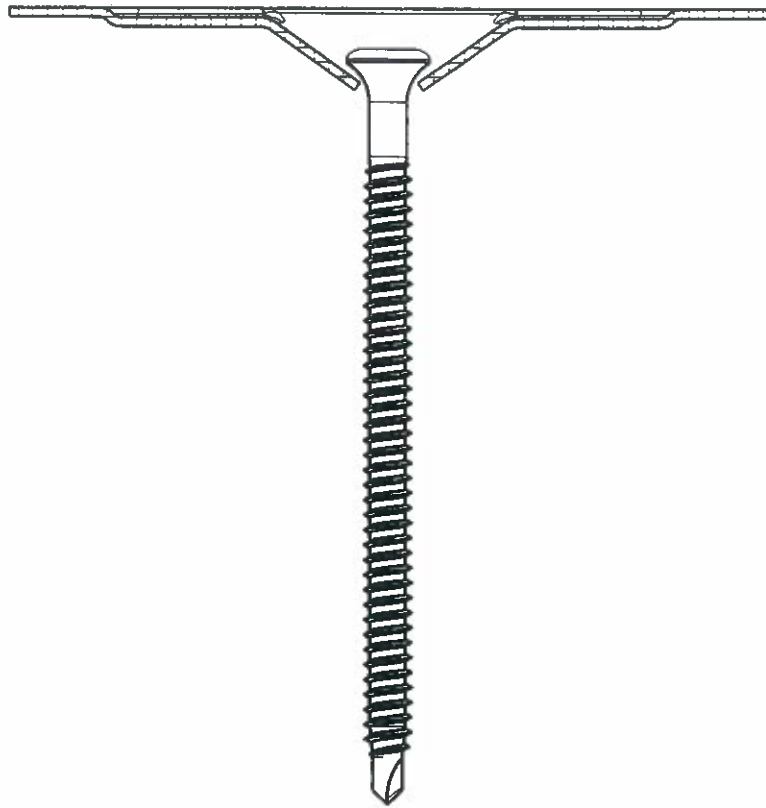


Van Roij Fasteners Europe b.v.

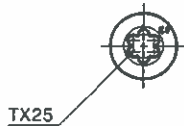
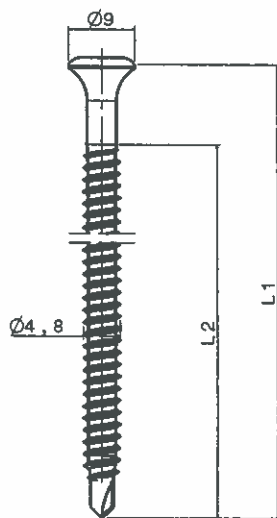
Combination:

Eurofast DVP-EF-8040N/H/XH
Eurofast EDS- SRB $\varnothing 4,8 \times L$

Eurofast® ETA-06/0007
01-03-2016 93 /151

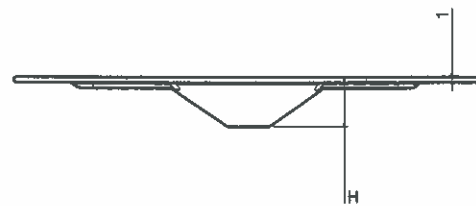
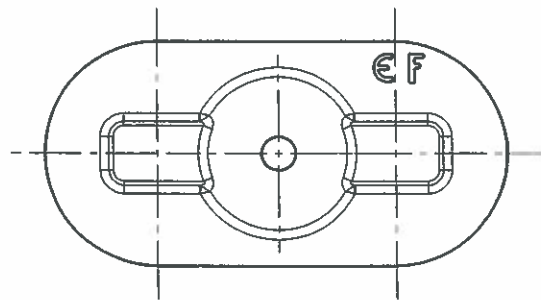


VRF Eurofast EDS-B



TX25

VRF Eurofast
DVP-EF-8040D

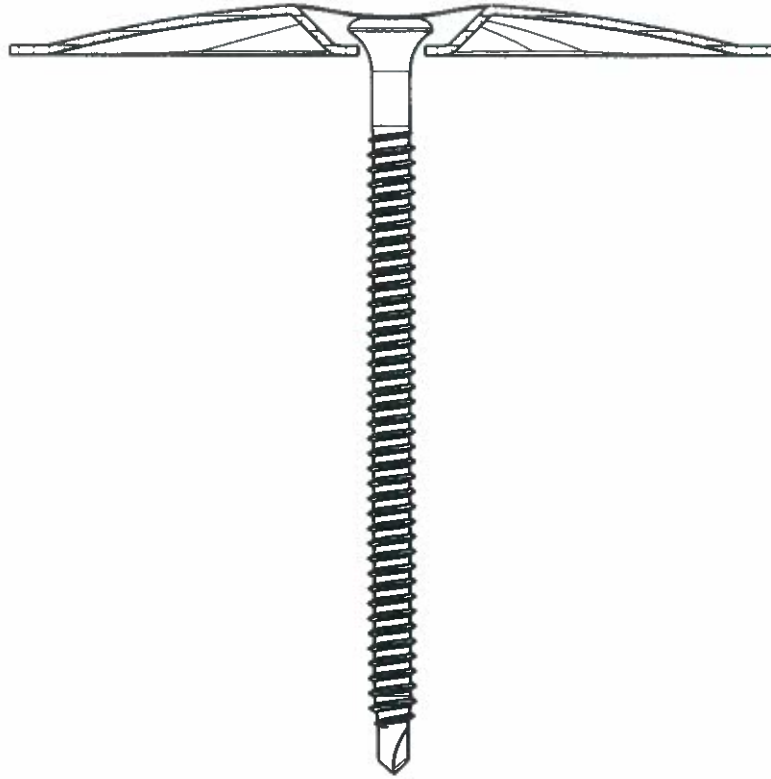


Van Roij Fasteners Europe b.v.

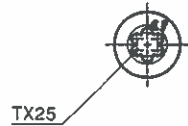
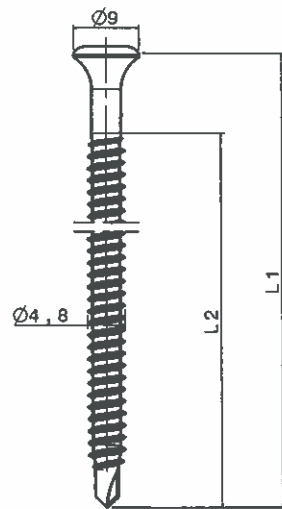
Combination:

Eurofast DVP-EF-8040D
Eurofast EDS- B Φ 4,8 x L

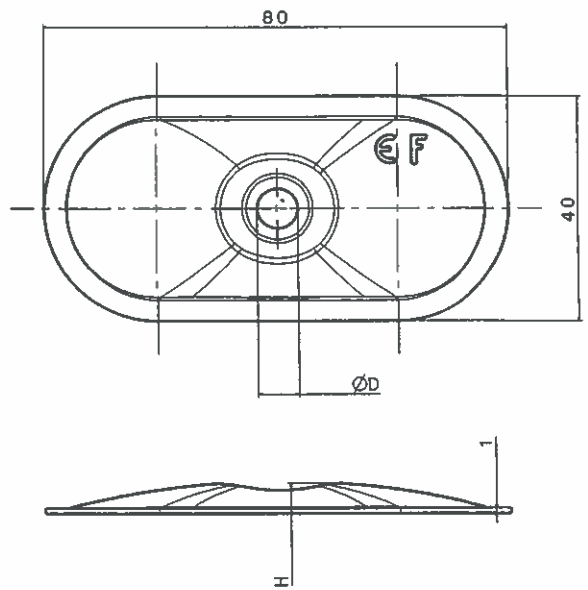
Eurofast® ETA-06/0007
01-03-2016 94 /151



VRF Eurofast EDS-B



Eurofast
DVP-EF-8040N/H/XH

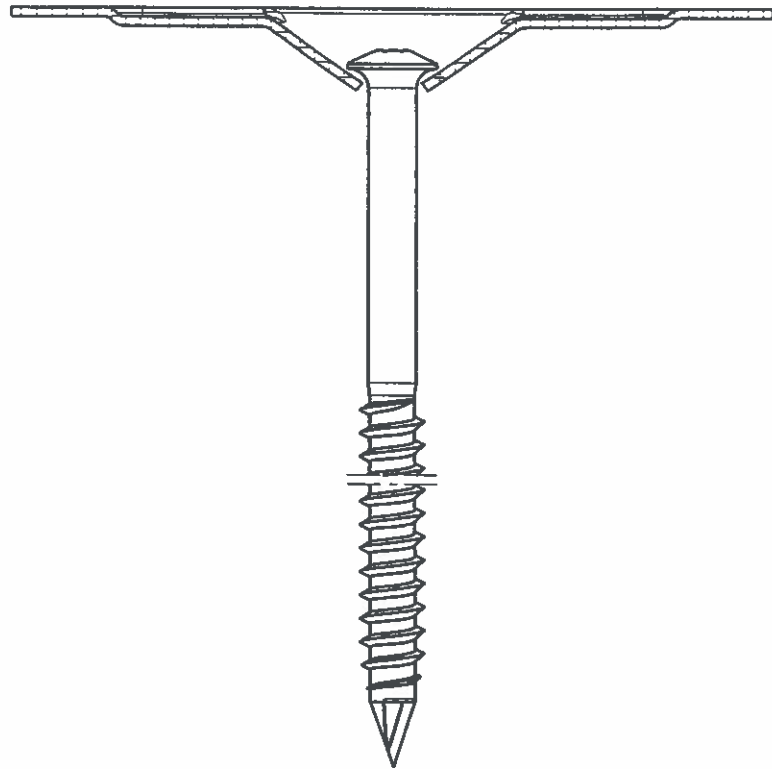


Van Roij Fasteners Europe b.v.

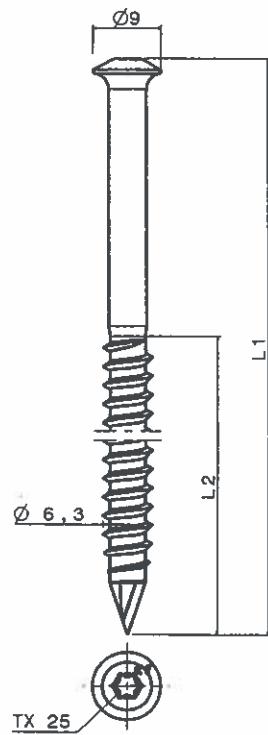
Combination:

Eurofast DVP-EF-8040N/H/XH
Eurofast EDS- B $\varnothing 4,8 \times L$

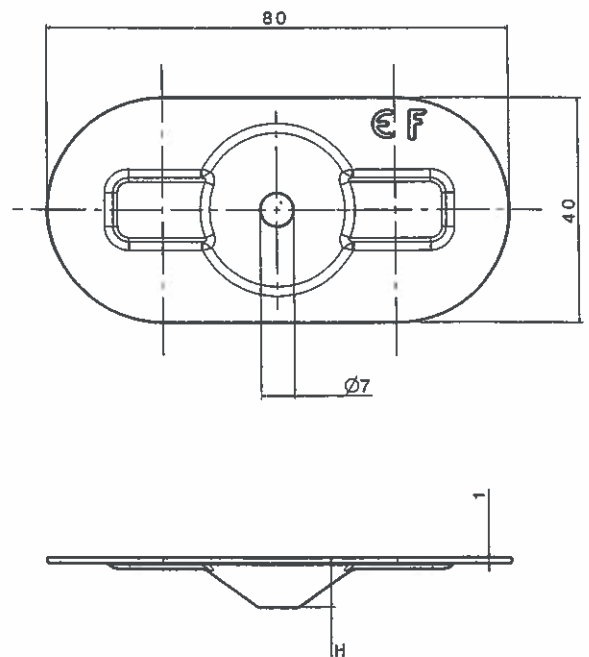
Eurofast® ETA-06/0007
01-03-2016 95 /151



VRF Eurofast EFHD



VRF Eurofast
DVP-EF-8040D

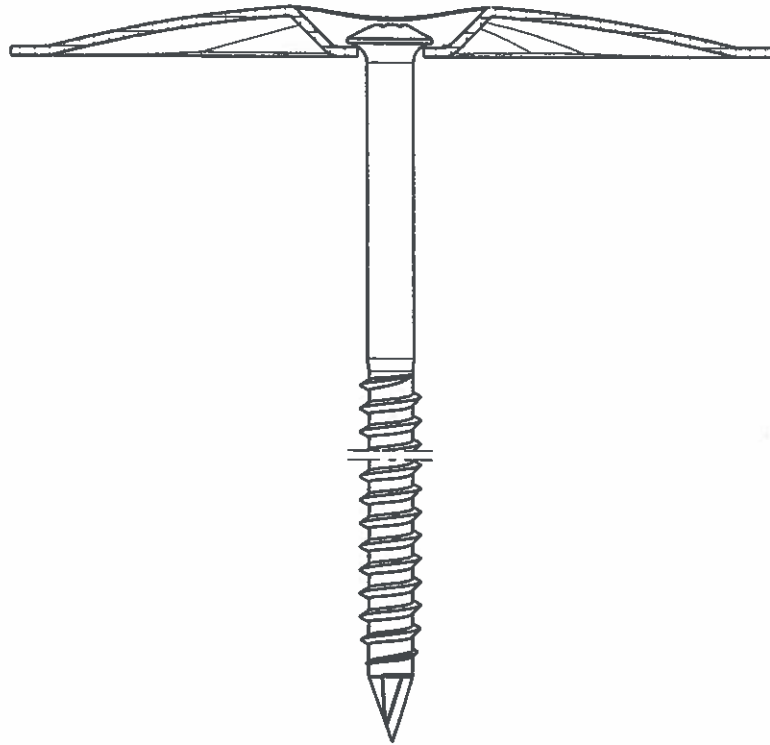


Van Roij Fasteners Europe b.v.

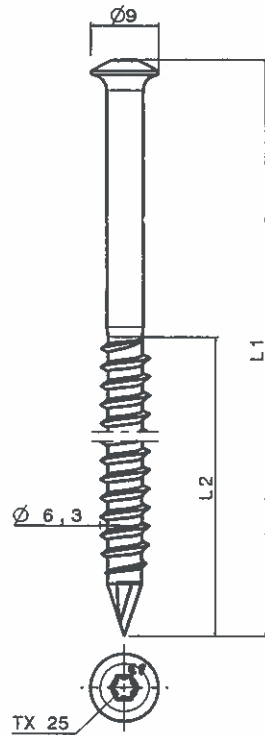
Combination:

Eurofast DVP-EF-8040D
Eurofast EFHD $\varnothing 6,3 \times L$

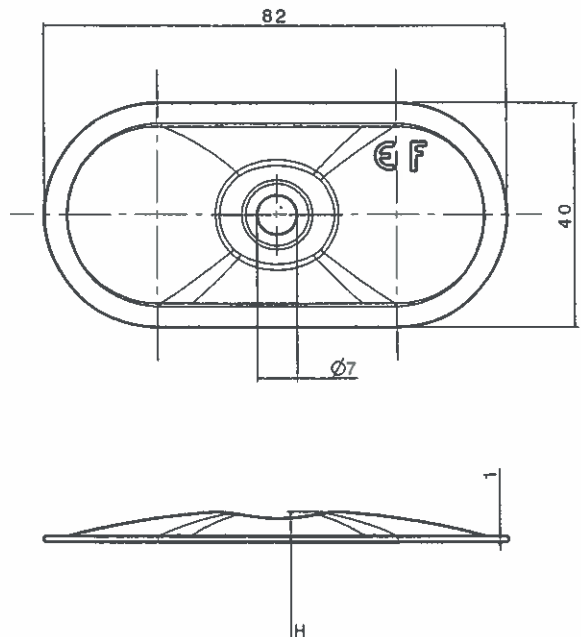
Eurofast® ETA-06/0007
01-03-2016 96/151



VRF Eurofast EFHD



VRF Eurofast
DVP-EF-8040N/H/XH

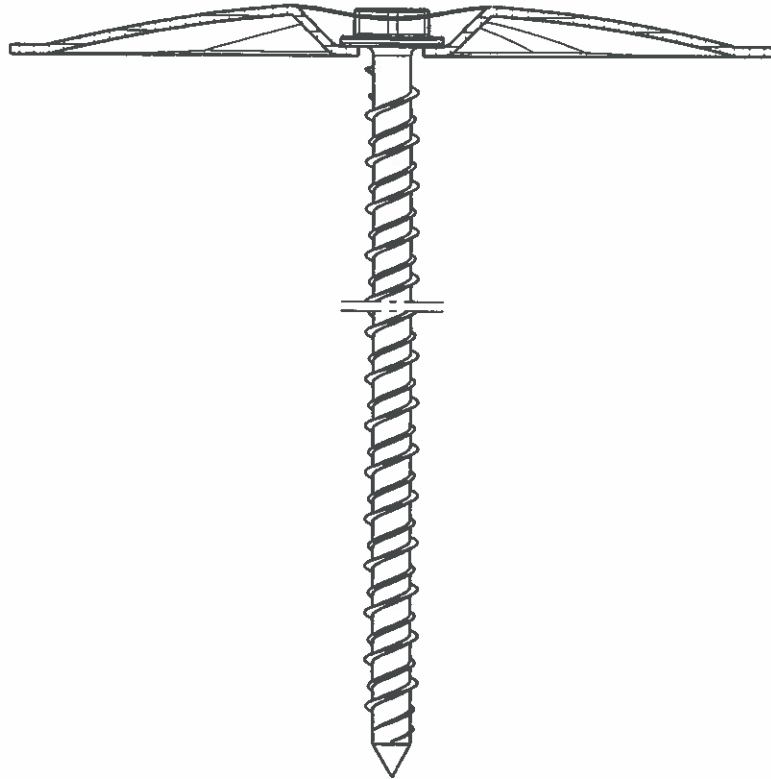


Van Roij Fasteners Europe b.v.

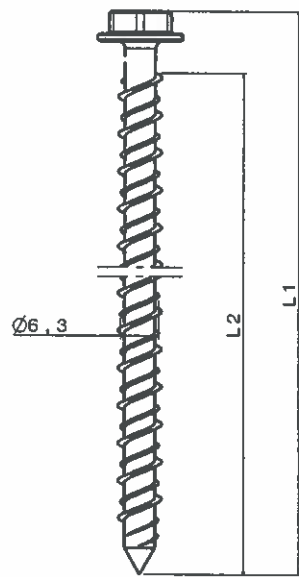
Combination:

Eurofast DVP-EF-8040N/H/XH
Eurofast EFHD $\phi 6,3 \times L$

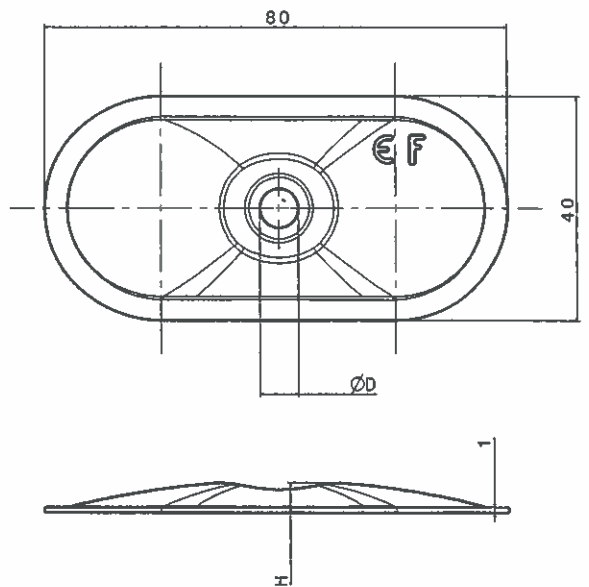
Eurofast® ETA-06/0007
01-03-2016 97 /151



VRF Eurofast DFCF



Eurofast
DVP-EF-8040N/H/XH

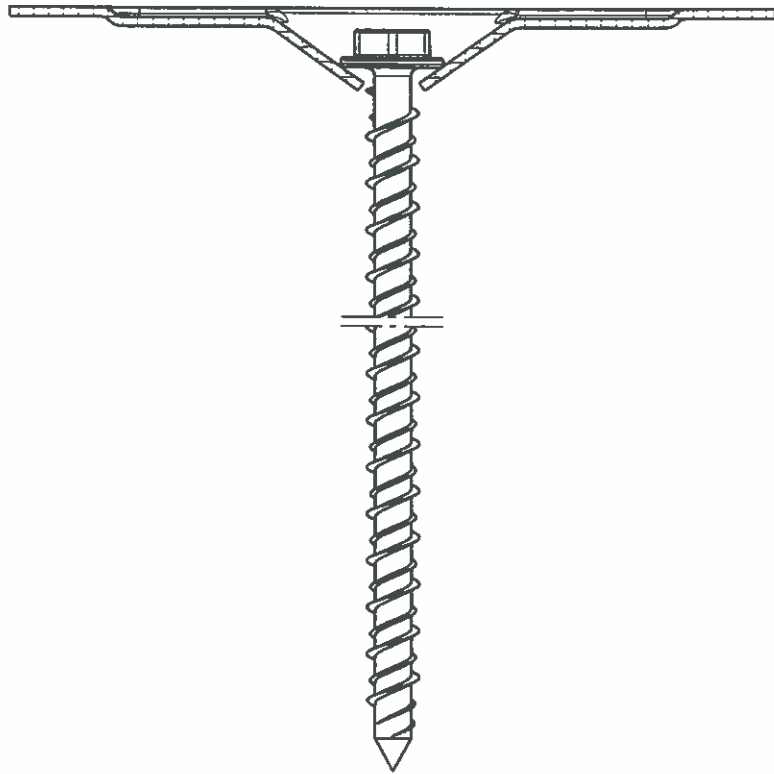


Van Roij Fasteners Europe b.v.

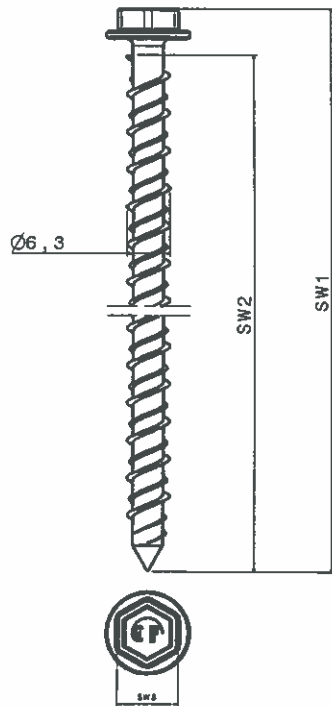
Combination:

Eurofast DVP-EF-8040N/H/XH
Eurofast DFCF $\varnothing 6,3 \times L$

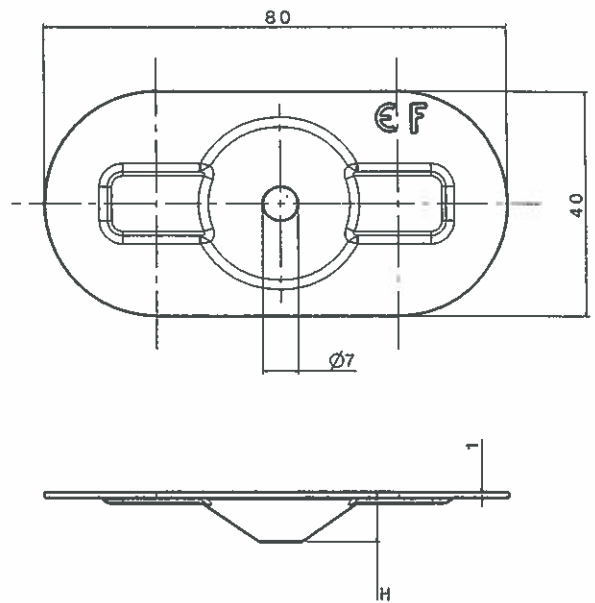
Eurofast® ETA-06/0007
01-03-2016 98/151



VRF Eurofast DFCF



VRF Eurofast
DVP-EF-8040D

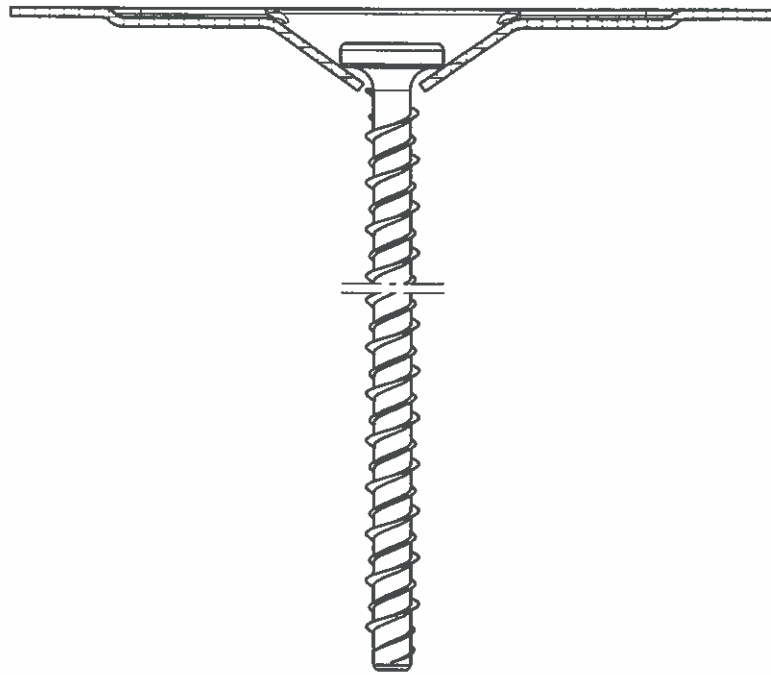


Van Roij Fasteners Europe b.v.

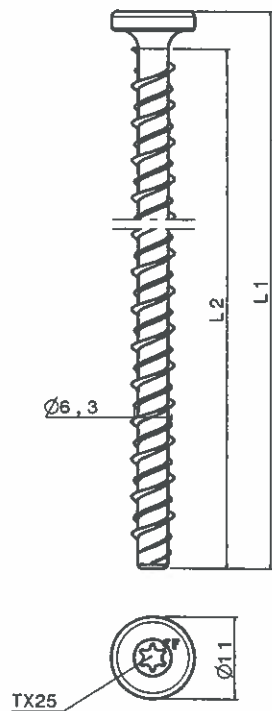
Combination:

Eurofast DVP-EF-8040D
Eurofast DFCF $\varnothing 6,3 \times L$

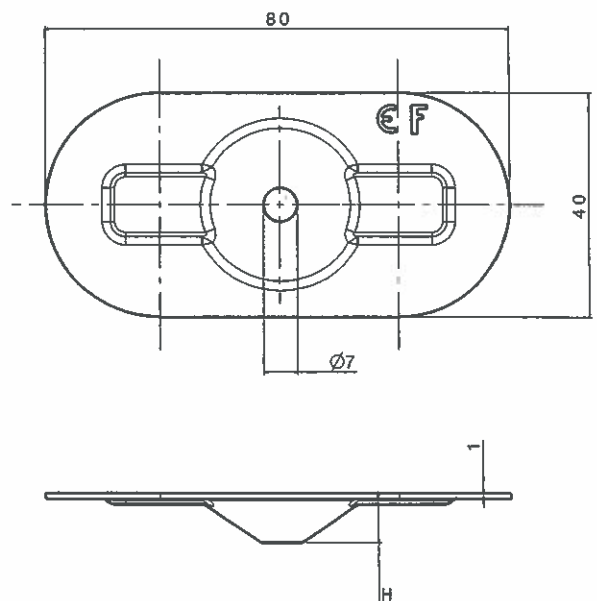
Eurofast® ETA-06/0007
01-03-2016 99 /151



VRF Eurofast EFR



VRF Eurofast
DVP-EF-8040D

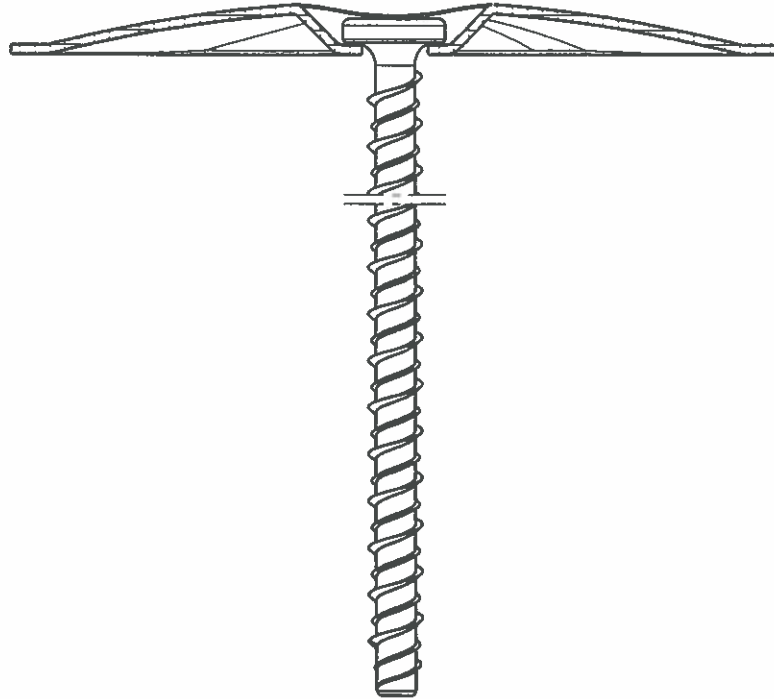


Van Roij Fasteners Europe b.v.

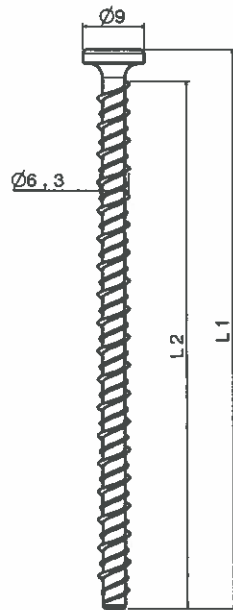
Combination:

Eurofast DVP-EF-8040D
Eurofast EFR $\varnothing 6,3 \times L$

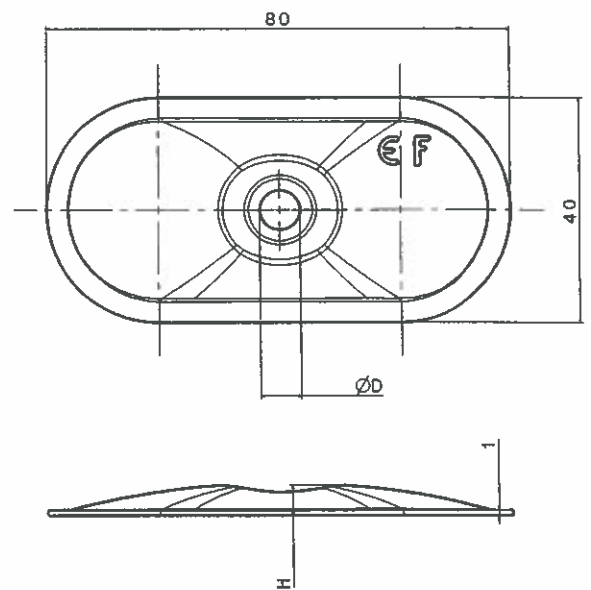
Eurofast® ETA-06/0007
01-03-2016 100 /151



VRF Eurofast EFR



Eurofast
DVP-EF-8040N/H/XH

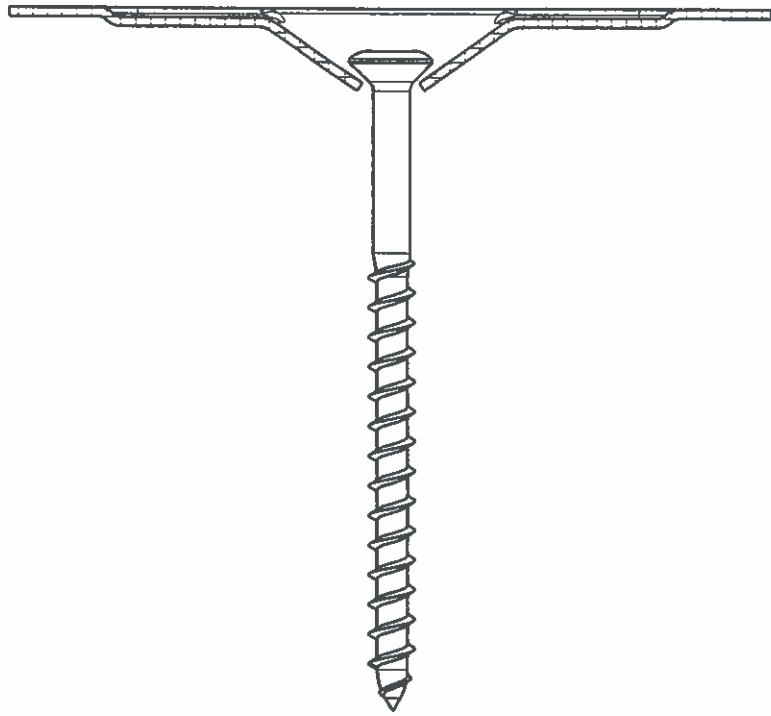


Van Roij Fasteners Europe b.v.

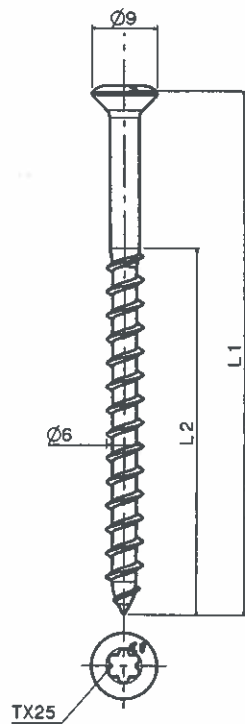
Combination:

Eurofast DVP-EF-8040N/H/XH
Eurofast EFR $\varnothing 6,3 \times L$

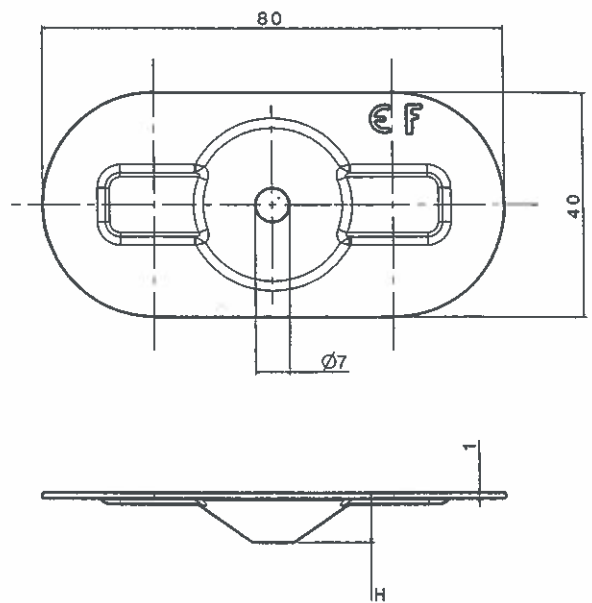
Eurofast® ETA-06/0007
01-03-2016 101/151



VRF Eurofast GBSA2



VRF Eurofast
DVP-EF-8040D

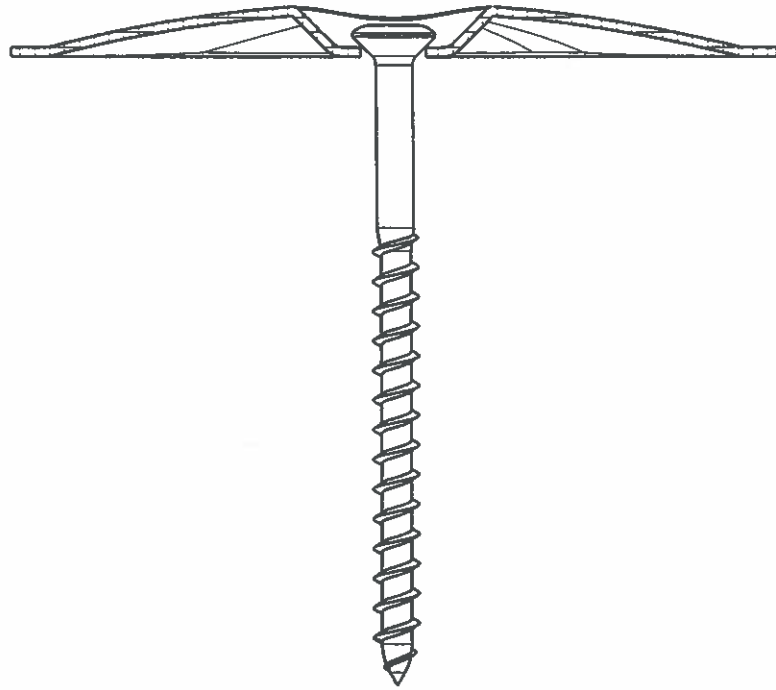


Van Roij Fasteners Europe b.v.

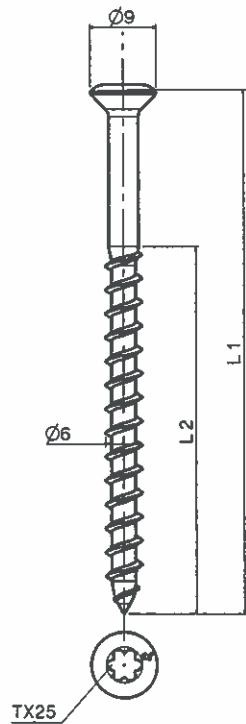
Combination:

Eurofast DVP-EF-8040D
Eurofast GBSA2 $\varnothing 6,0 \times L$

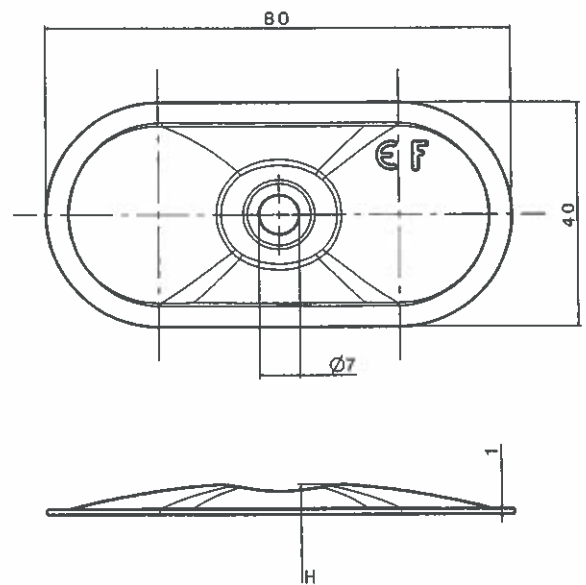
Eurofast® ETA-06/0007
01-03-2016 102 /151



VRF Eurofast GBS A2



VRF Eurofast
DVP-EF-8040N/H/XH

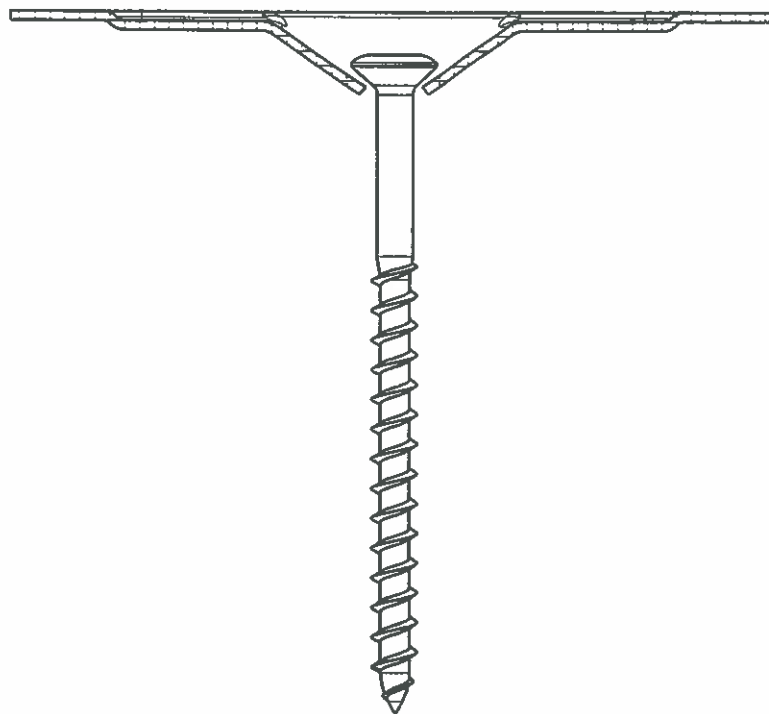


Van Roij Fasteners Europe b.v.

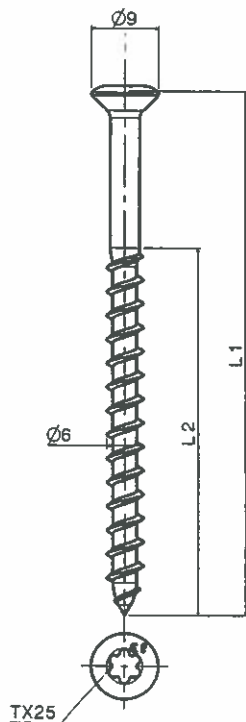
Combination:

Eurofast DVP-EF-8040N/H/XH
Eurofast GBS A2 $\phi 6,0 \times L$

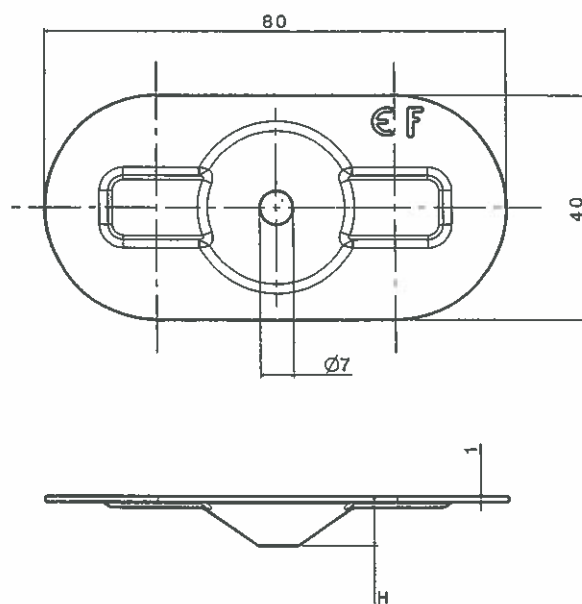
Eurofast® ETA-06/0007
01-03-2016 103 / 151



VRF Eurofast GBS



VRF Eurofast
DVP-EF-8040D

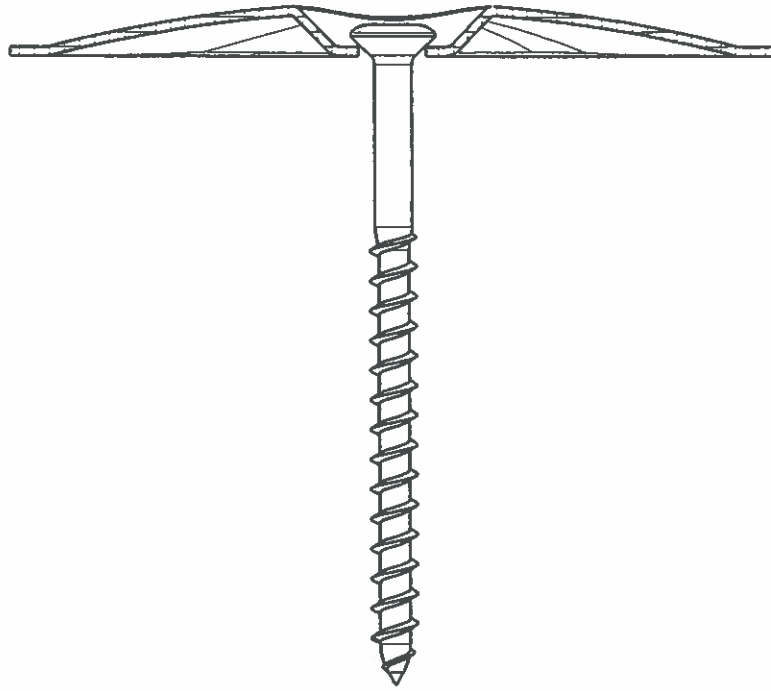


Van Roij Fasteners Europe b.v.

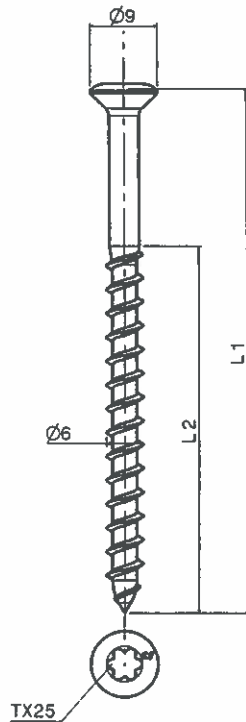
Combination:

Eurofast DVP-EF-8040D
Eurofast GBS $\varnothing 6,0 \times L$

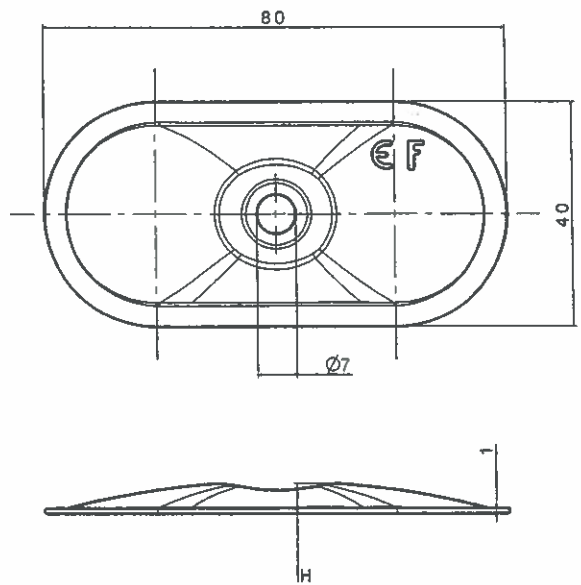
Eurofast® ETA-06/0007
01-03-2016 104 / 151



VRF Eurofast GBS



VRF Eurofast
DVP-EF-8040N/H/XH

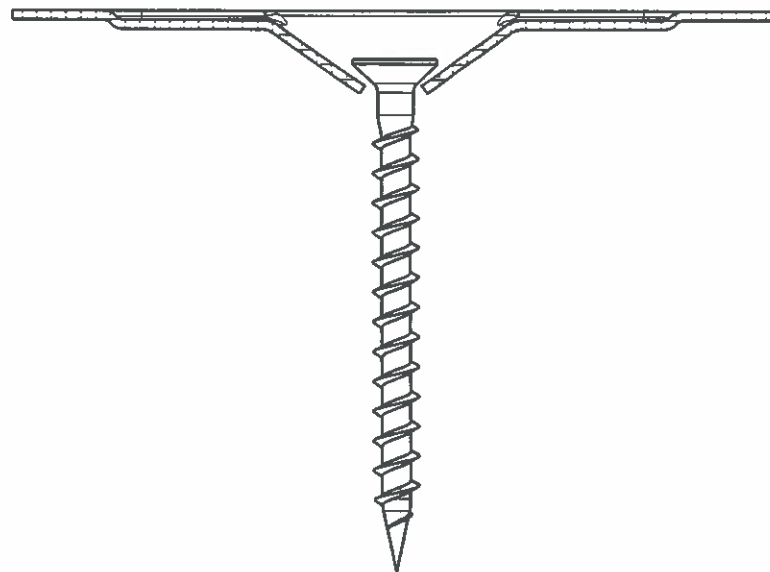


Van Roij Fasteners Europe b.v.

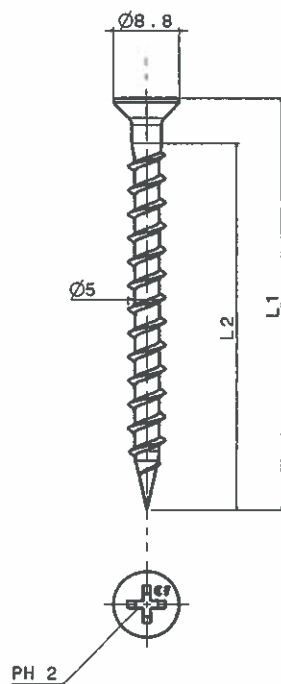
Combination:

Eurofast DVP-EF-8040N/H/XH
Eurofast GBS $\varnothing 6,0 \times L$

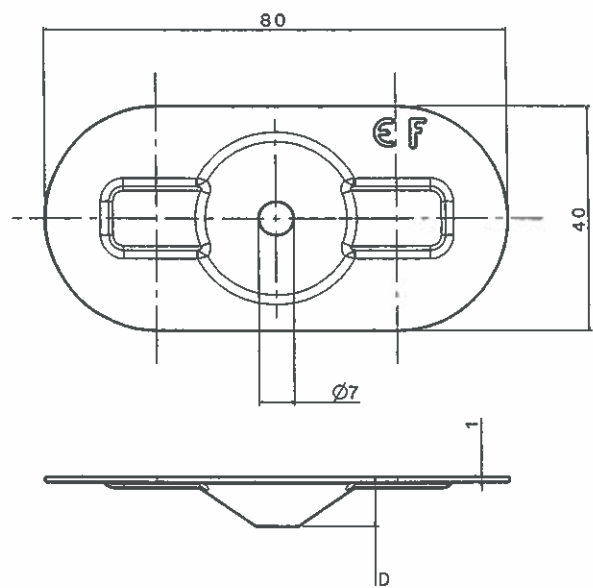
Eurofast® ETA-06/0007
01-03-2016 105 / 151



VRF Eurofast EDS-H



VRF Eurofast
DVP-EF-8040D

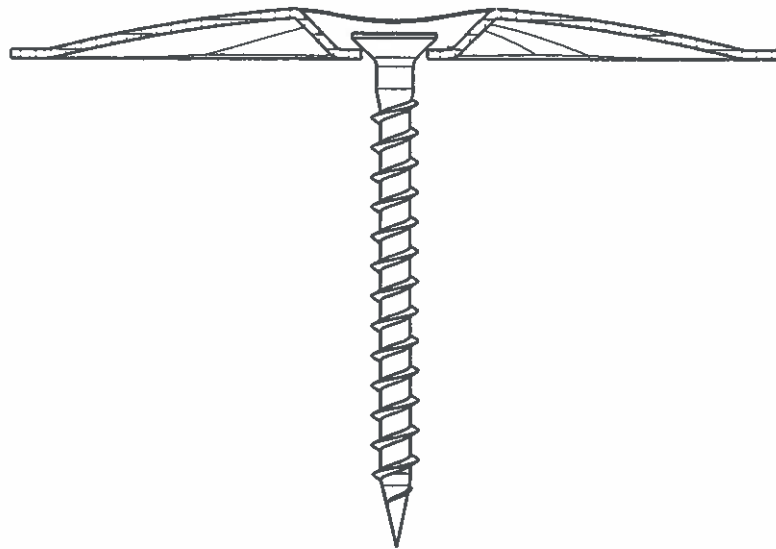


Van Roij Fasteners Europe b.v.

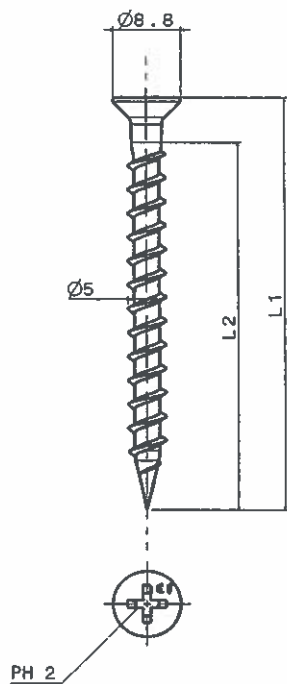
Combination:

Eurofast DVP-EF-8040D
Eurofast EDS- H $\varnothing 5,0 \times L$

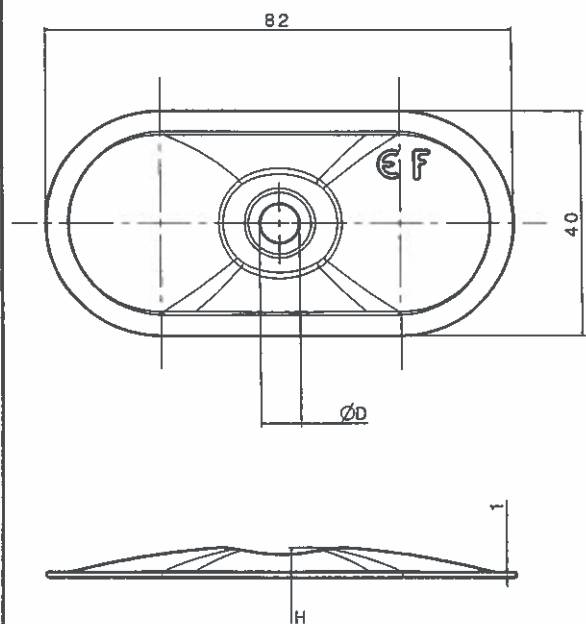
Eurofast® ETA-06/0007
01-03-2016 106 /151



VRF Eurofast EDS-H



VRF Eurofast
DVP-EF-8040N/H/XH

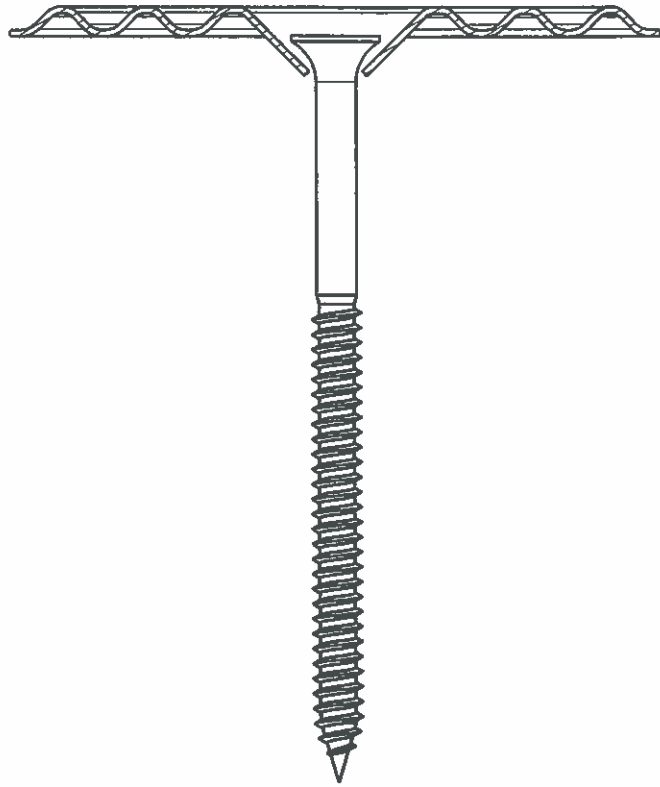


Van Roij Fasteners Europe b.v.

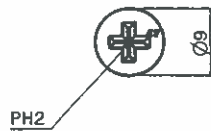
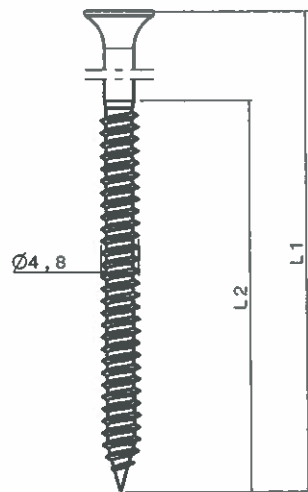
Combination:

Eurofast DVP-EF-8040N/H/XH
Eurofast EDS-H $\varnothing 5,0 \times L$

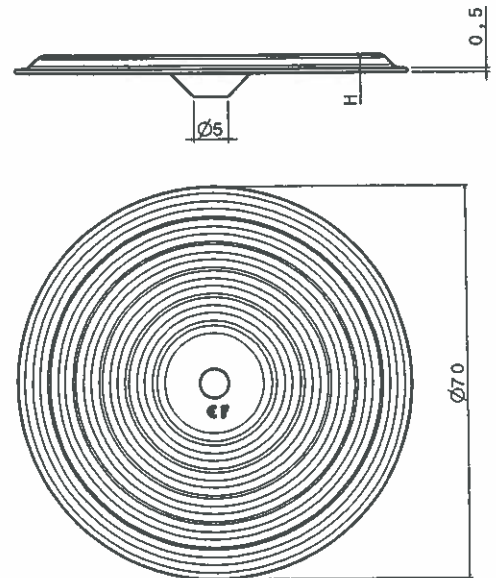
Eurofast® ETA-06/0007
01-03-2016 107 / 151



VRF Eurofast EDS-S



VRF Eurofast
DVP-EF-7005 N/D

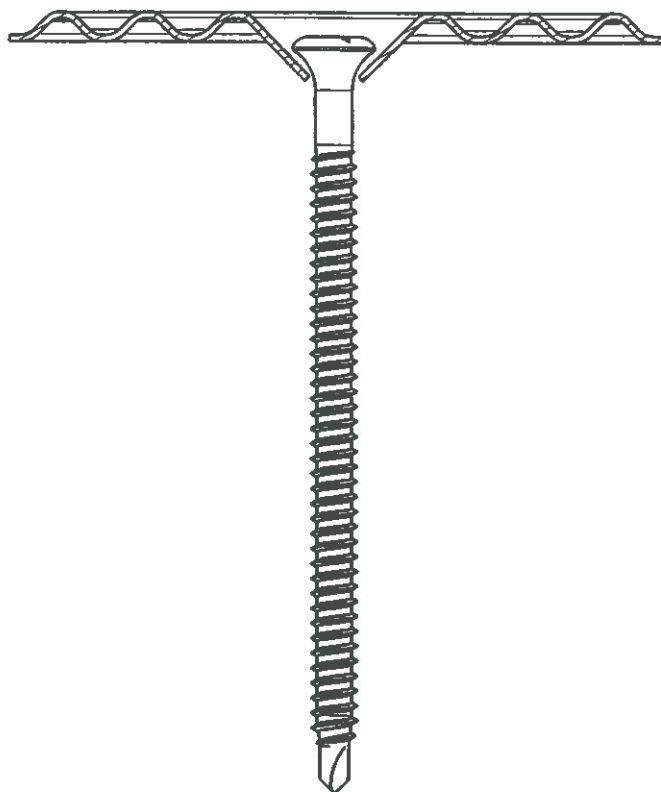


Van Roij Fasteners Europe b.v.

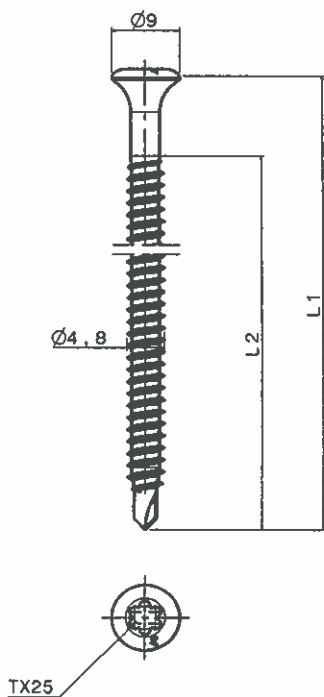
Combination:

Eurofast DVP-EF-7005 N/D
Eurofast EDS-S $\varnothing 4,8 \times L$

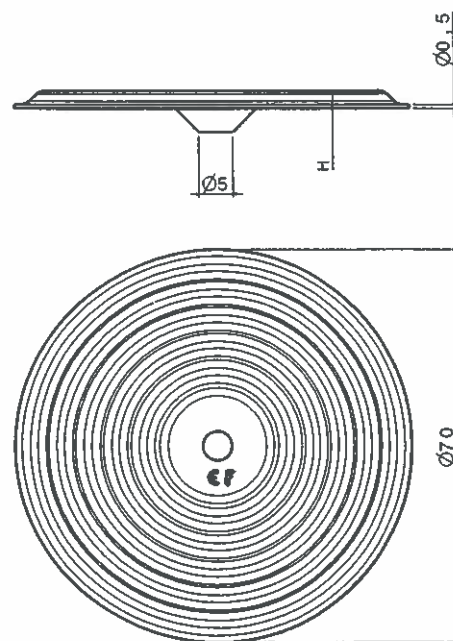
Eurofast® ETA-06/0007
01-03-2016 108 /151



VRF Eurofast EDS-SRB



VRF Eurofast
DVP-EF_7005_N/D

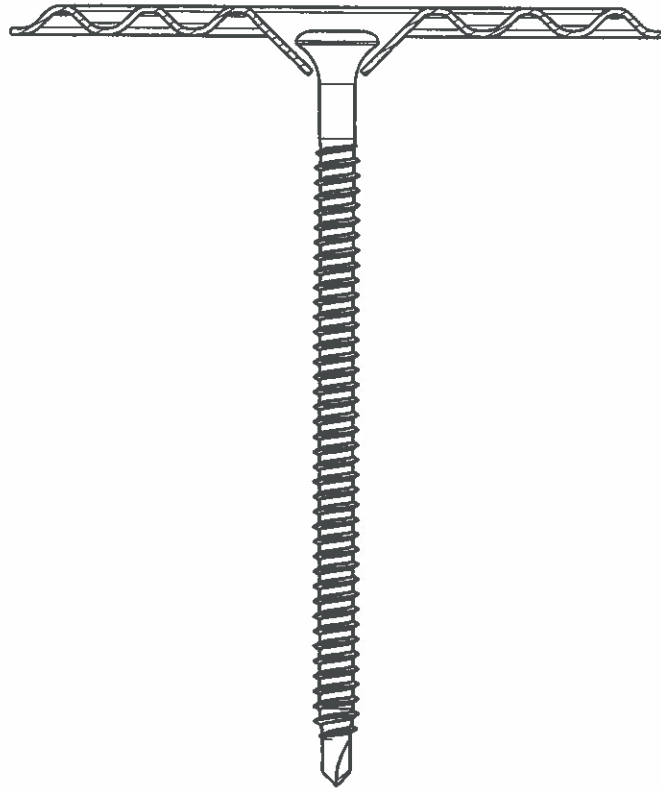


Van Roij Fasteners Europe b.v.

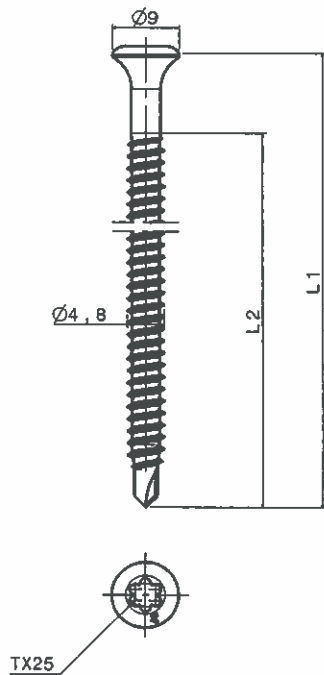
Combination:

Eurofast DVP-EF 7005 N/D
Eurofast EDS-SRB $\varnothing 4,8 \times L$

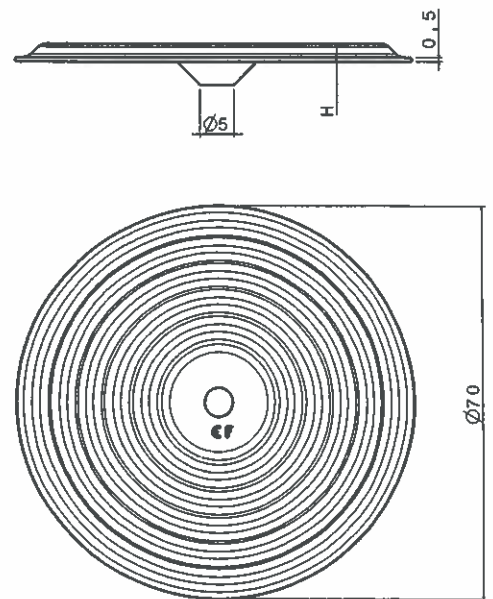
Eurofast® ETA-06/0007
01-03-2016 109 /151



VRF Eurofast EDS-B



VRF Eurofast
DVP-EF-7005-N/D

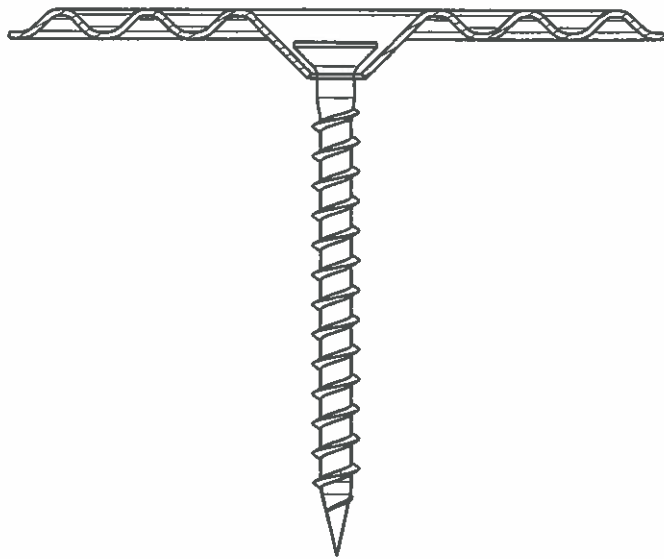


Van Roij Fasteners Europe b.v.

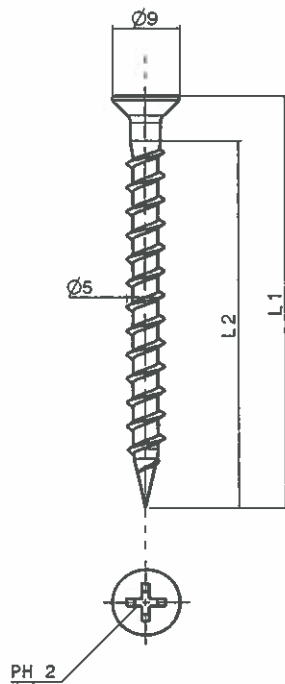
Combination:

Eurofast DVP-EF-7005-N/D
Eurofast EDS-B $\varnothing 4,8 \times L$

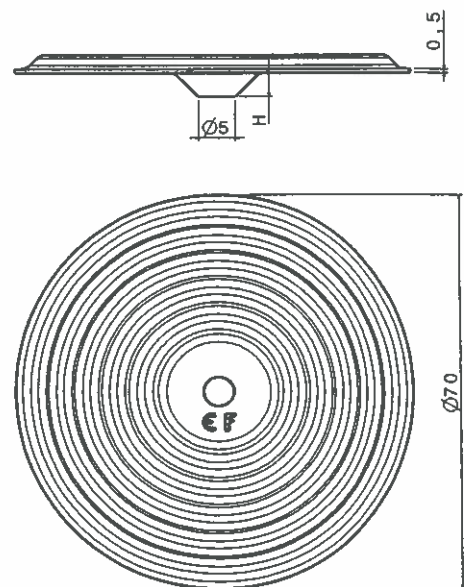
Eurofast® ETA-06/0007
01-03-2016 110 /151



VRF Eurofast EDS-H



VRF Eurofast
DVP-EF-7005-N/D

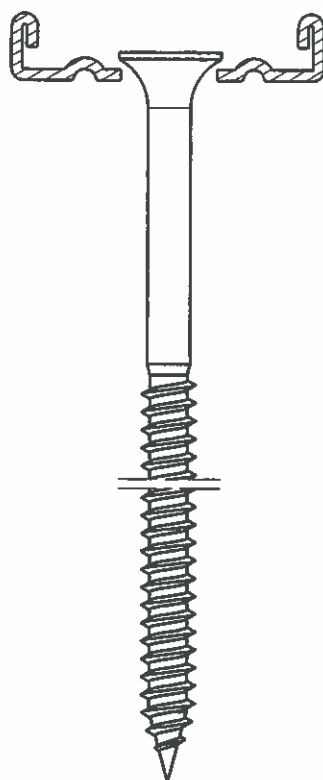


Van Roij Fasteners Europe b.v.

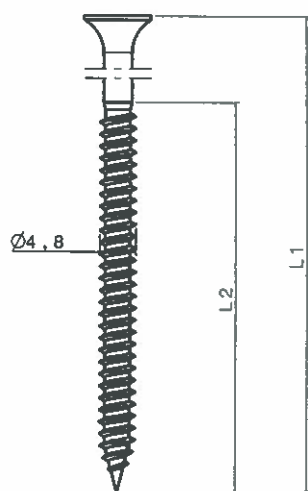
Combination:

Eurofast DVP-EF-7005-N/D
Eurofast EDS -H $\varnothing 5,0 \times L$

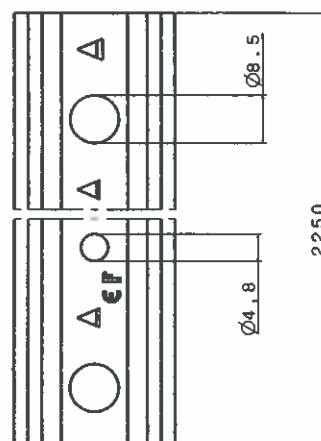
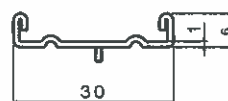
Eurofast® ETA-06/0007
01-03-2016 111 /151



VRF Eurofast EDS S



VRF Eurofast EDF-BAR-F/FB

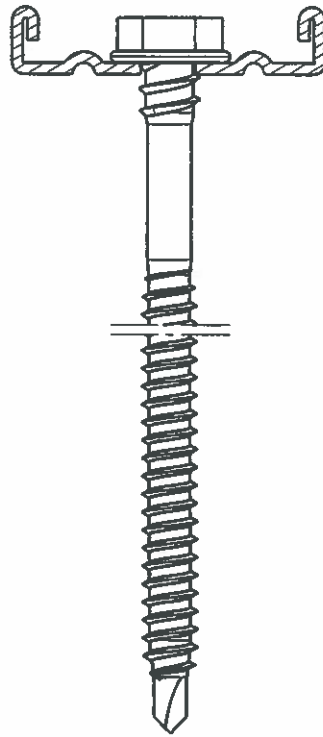


van Roij Fasteners Europe b.v.

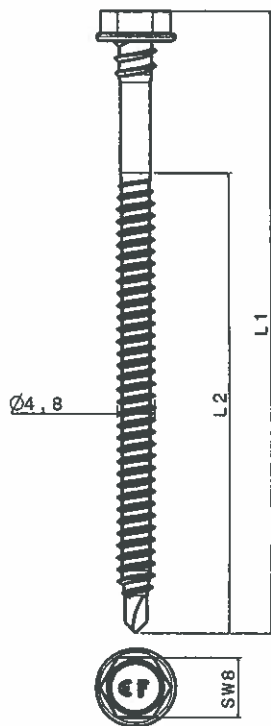
Combination:

Eurofast EDF-BAR-F/FB
Eurofast EDS S $\varnothing 4,8 \times L$

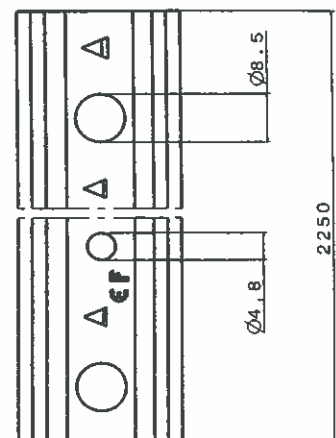
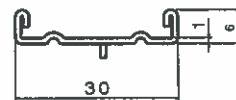
Eurofast[®] ETA-06/0007
01-03-2016 112 /151



VRF Eurofast EDS-BTZ/BGT



VRF Eurofast EDF-BAR-F/FB

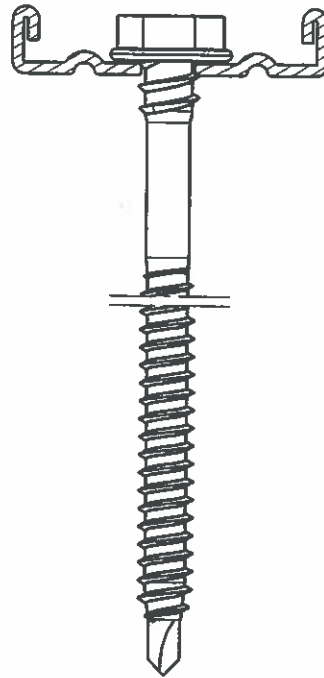


van Roij Fasteners Europe b.v.

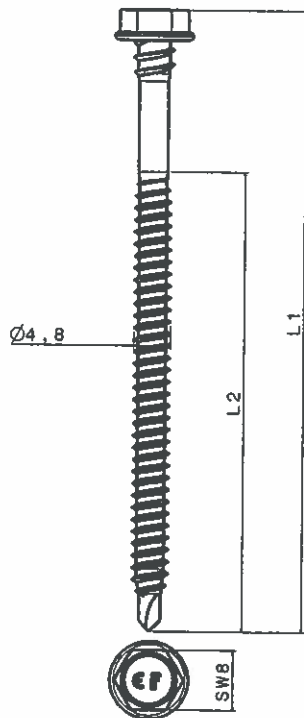
Combination:

Eurofast EDF-BAR-F/FB
Eurofast EDS BTZ/BGT $\varnothing 4,8 \times L$

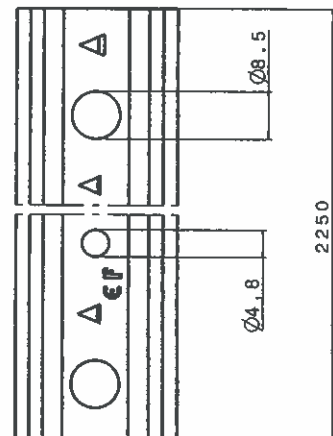
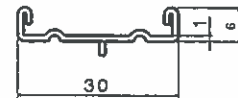
Eurofast® ETA-06/0007
01-03-2016 113 /151



VRF Eurofast EDS BZTR/BGTR



VRF Eurofast EDF-BAR-F/FB

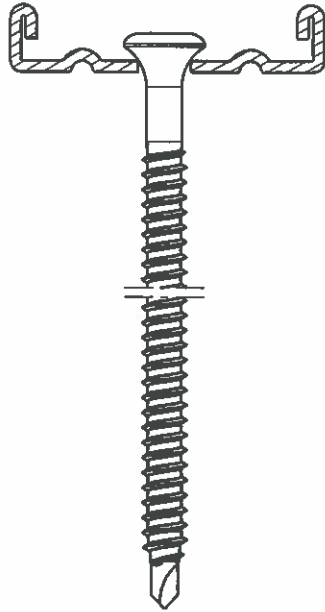


van Roij Fasteners Europe b.v.

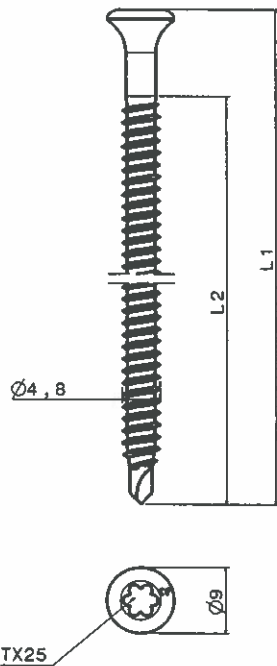
Combination:

Eurofast EDF-BAR-F/FB
Eurofast EDS BZTR/BGTR $\varnothing 4,8 \times L$

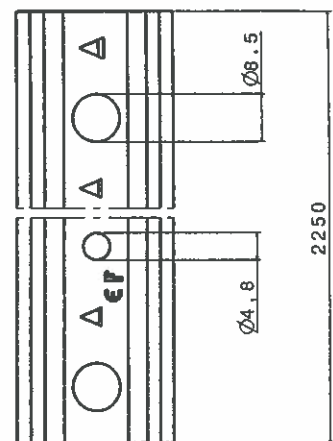
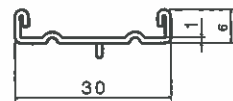
Eurofast® ETA-06/0007
01-03-2016 114 /151



VRF EurofastEDS-SRB



VRF Eurofast EDF-BAR-F/FB

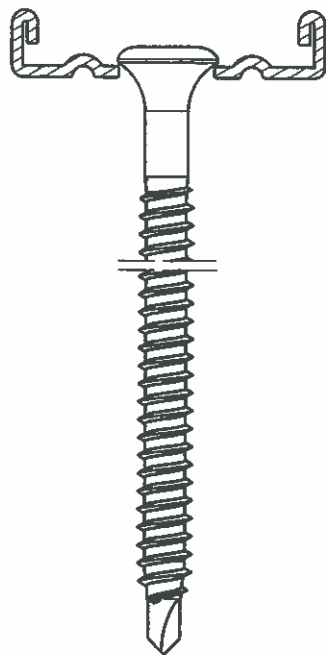


van Roij Fasteners Europe b.v.

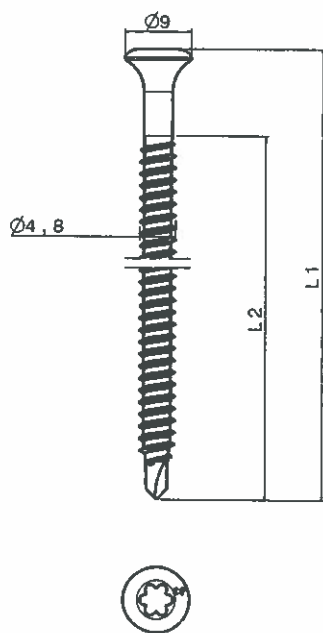
Combination:

Eurofast EDF-BAR-F/FB
Eurofast EDS-SRB $\varnothing 4,8 \times L$

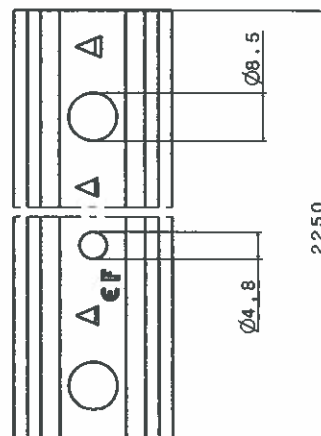
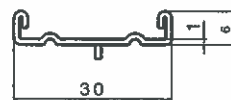
Eurofast® ETA-06/0007
01-03-2016 115 /151



VRF Eurofast EDS-B



VRF Eurofast EDF-BAR-F/FB

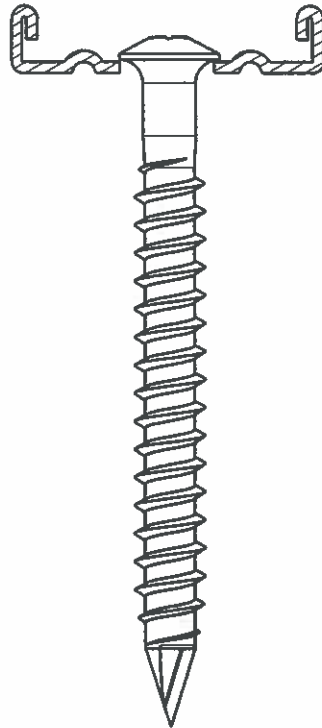


van Roij Fasteners Europe b.v.

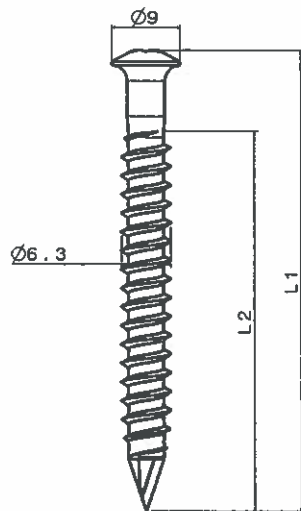
Combination:

Eurofast EDF-BAR-F/FB
Eurofast EDS-B $\phi 4,8 \times L$

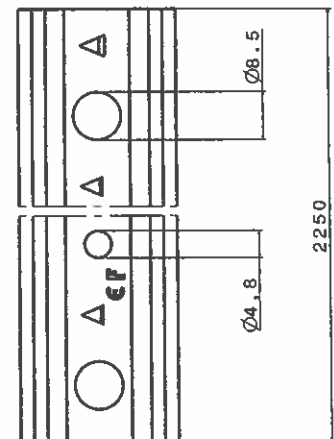
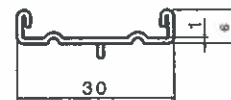
Eurofast® ETA-06/0007
01-03-2016 116 /151



VRF Eurofast EFHD



VRF Eurofast EDF-BAR-F/FB

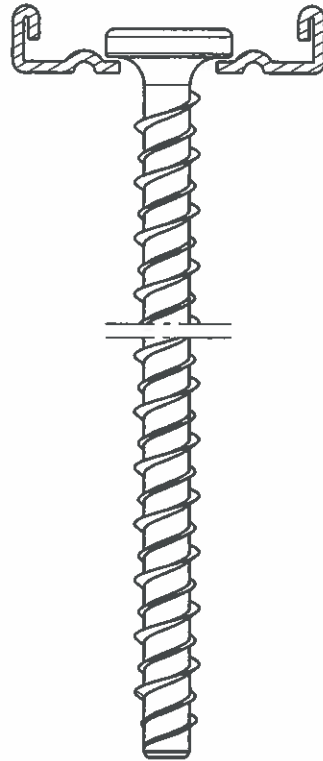


van Roij Fasteners Europe b.v.

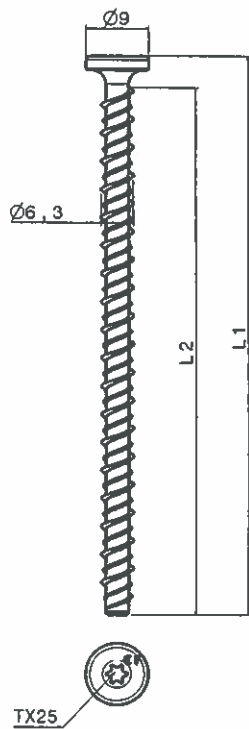
Combination:

Eurofast EDF-BAR-F/FB
Eurofast EFHD $\Phi 6,3 \times L$

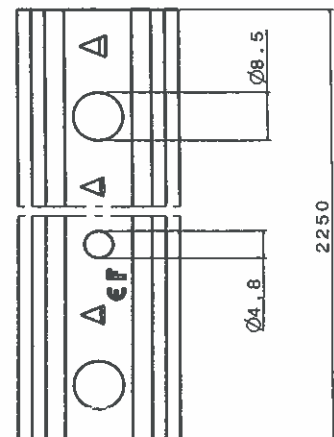
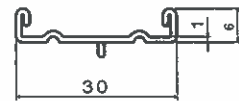
Eurofast® ETA-06/0007
01-03-2016 117 /151



VRF Eurofast EFR



VRF Eurofast EDF-BAR-F/FB

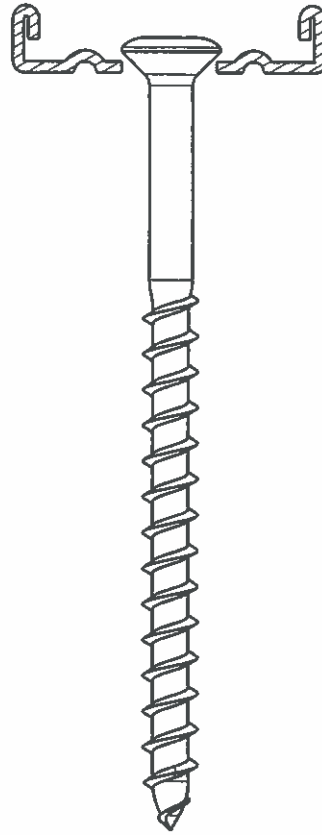


van Roij Fasteners Europe b.v.

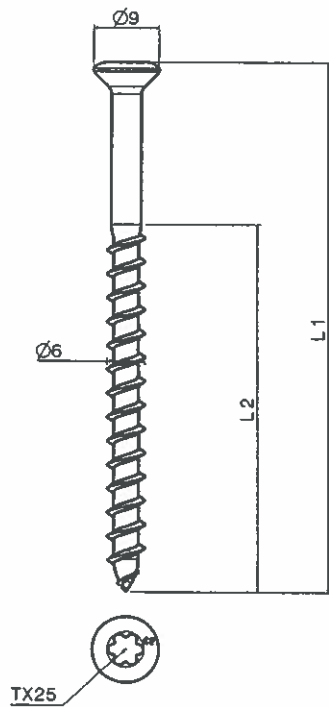
Combination:

Eurofast EDF-BAR-F/FB
Eurofast EFR $\phi 6,3 \times L$

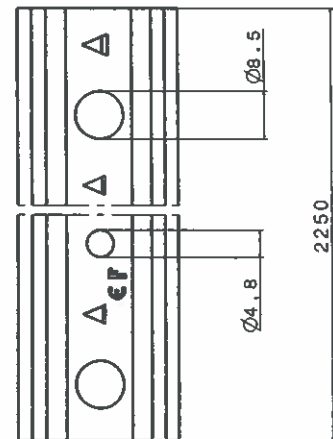
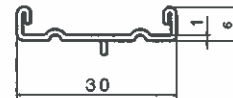
Eurofast® ETA-06/0007
01-03-2016 118 /151



VRF Eurofast GBS A2



VRF Eurofast EDF-BAR-F/FB

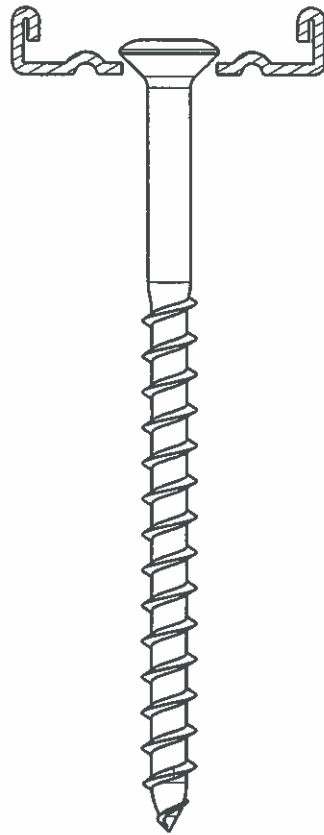


van Roij Fasteners Europe b.v.

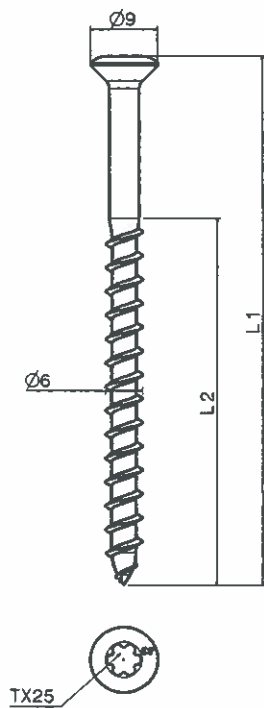
Combination:

Eurofast EDF-BAR-F/FB
Eurofast GBS A2 Ø 6,0 x L

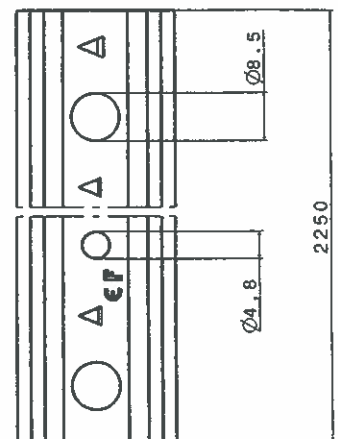
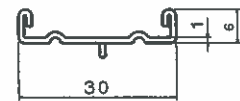
Eurofast® ETA-06/0007
01-03-2016 119 /151



VRF Eurofast GBS



VRF Eurofast EDF-BAR-F/FB

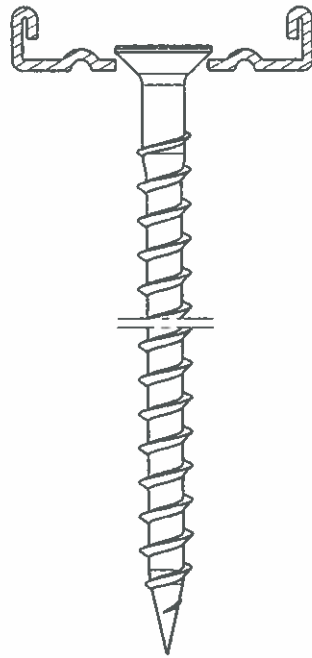


van Roij Fasteners Europe b.v.

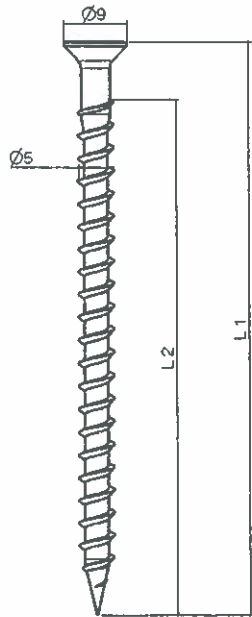
Combination:

Eurofast EDF-BAR-F/FB
Eurofast GBS Ø6,0 x L

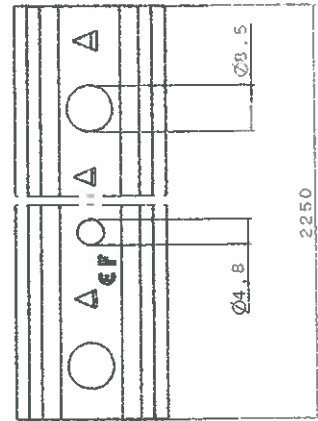
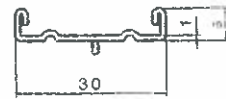
Eurofast® ETA-06/0007
01-03-2016 120 /151



VRF Eurofast EDS-H



VRF Eurofast EDF-BAR-F/FB

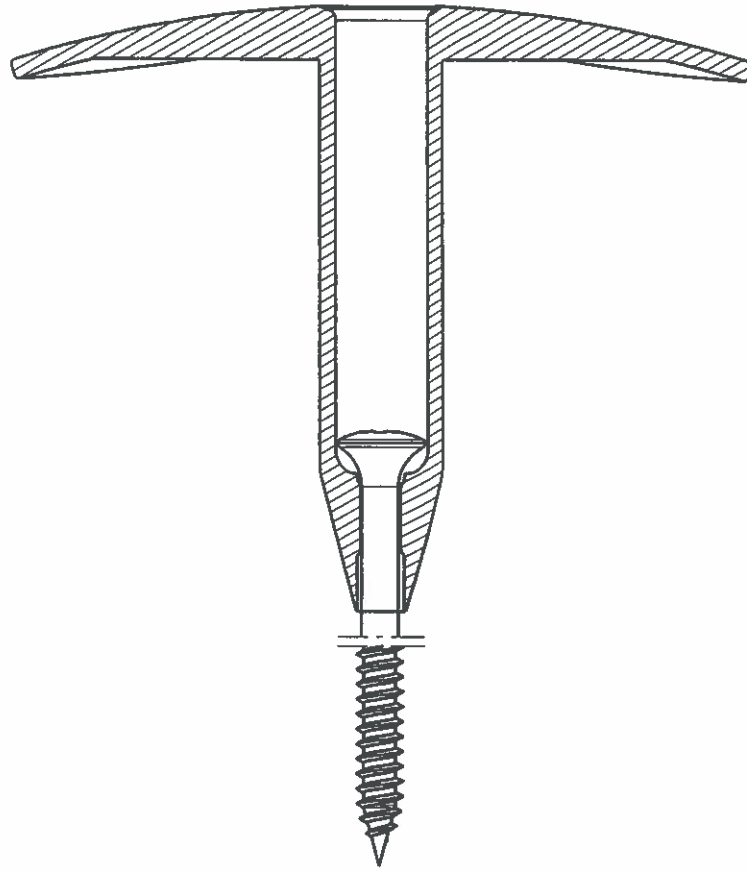


van Roij Fasteners Europe b.v.

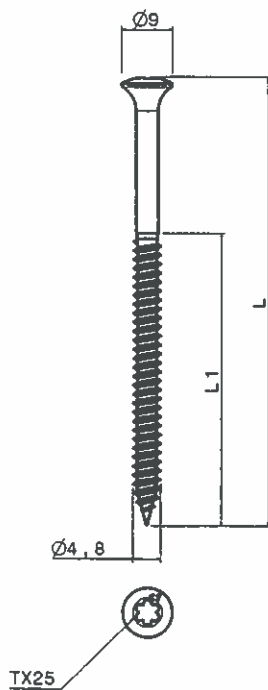
Combination:

Eurofast EDF-BAR-F/FB
Eurofast EDS-H ϕ 5,0 x L

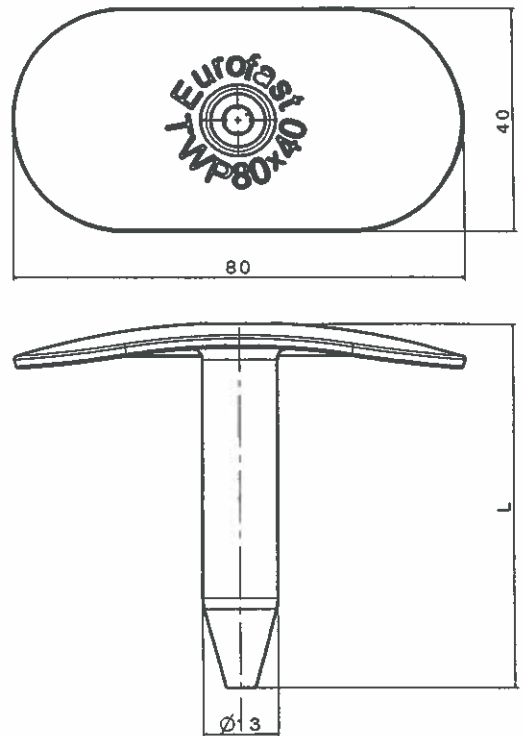
Eurofast[®] ETA-06/0007
01-03-2016 121 / 151



VRF Eurofast EDS-S



VRF Eurofast TWP 80x40

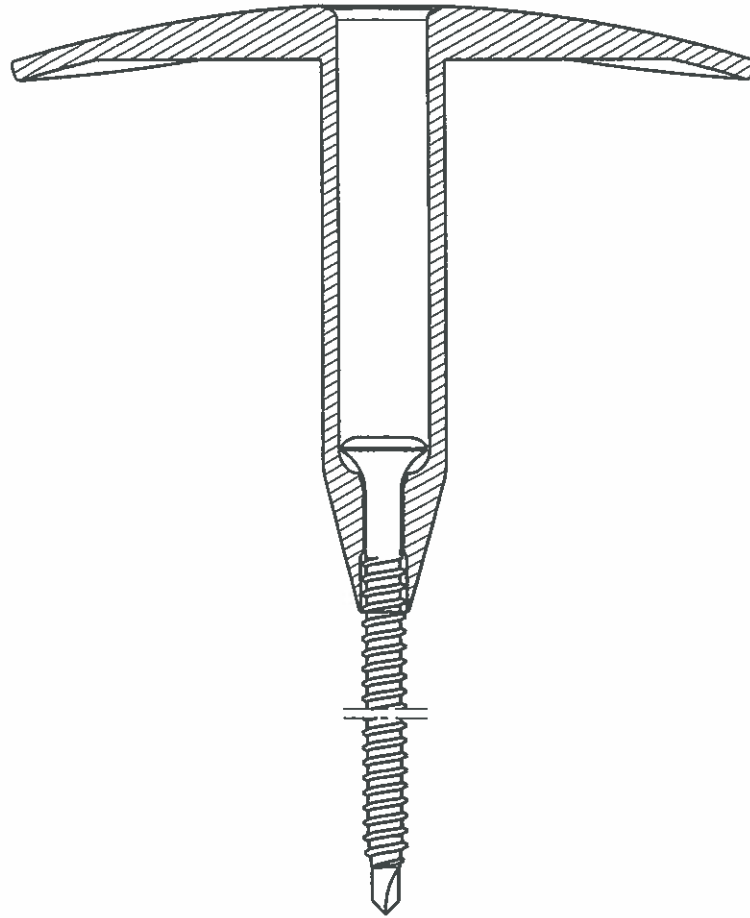


van Roij Fasteners Europe b.v.

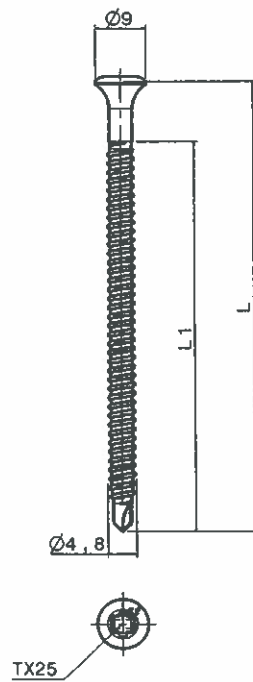
Combination:

Eurofast TWP 8040 x L
Eurofast EDS-S Ø 4,8 x L

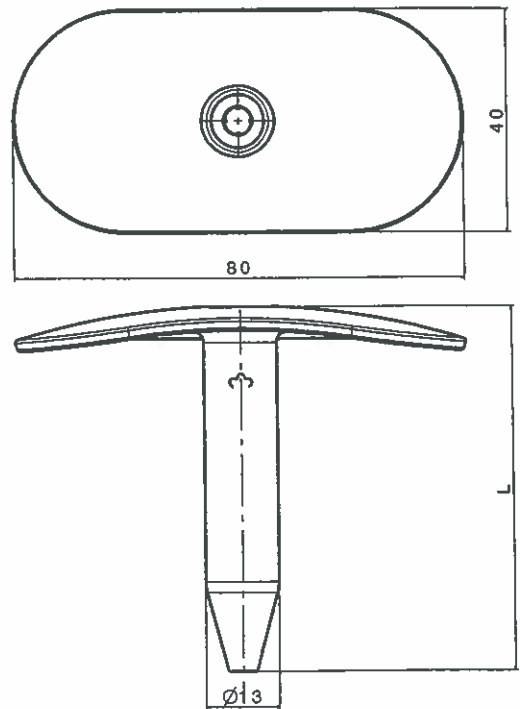
Eurofast® ETA-06/0007
01-03-2016 122 /151



VRFEurofast EDS-SRB



VRF Eurofast TWP 80x40

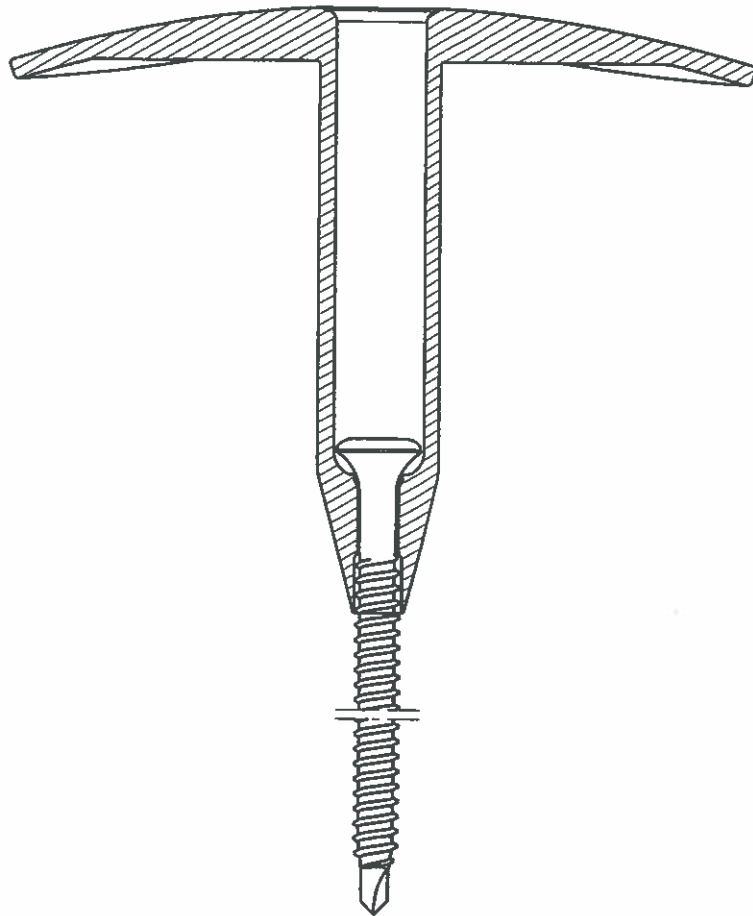


Van Roij Fasteners Europe b.v.

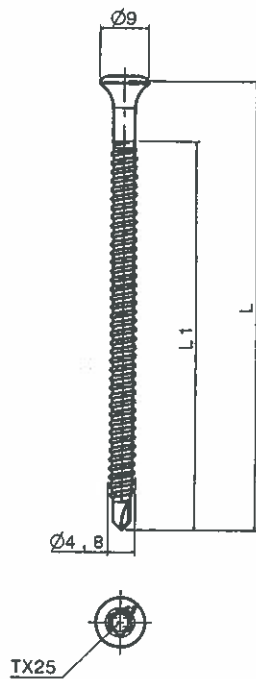
Combination:

Eurofast TWP 8040 x L
Eurofast EDS-SRB $\varnothing 4,8$ x L

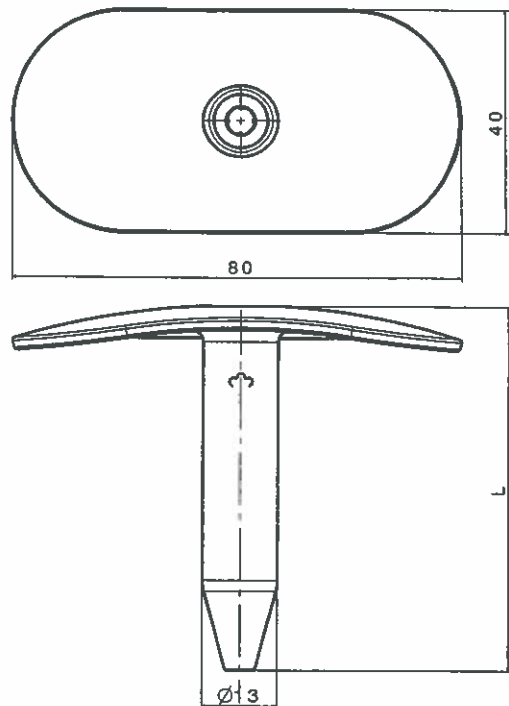
Eurofast® ETA-06/0007
01-03-2016 123 /151



VRFEurofast EDS-B



VRF Eurofast TWP 80x40

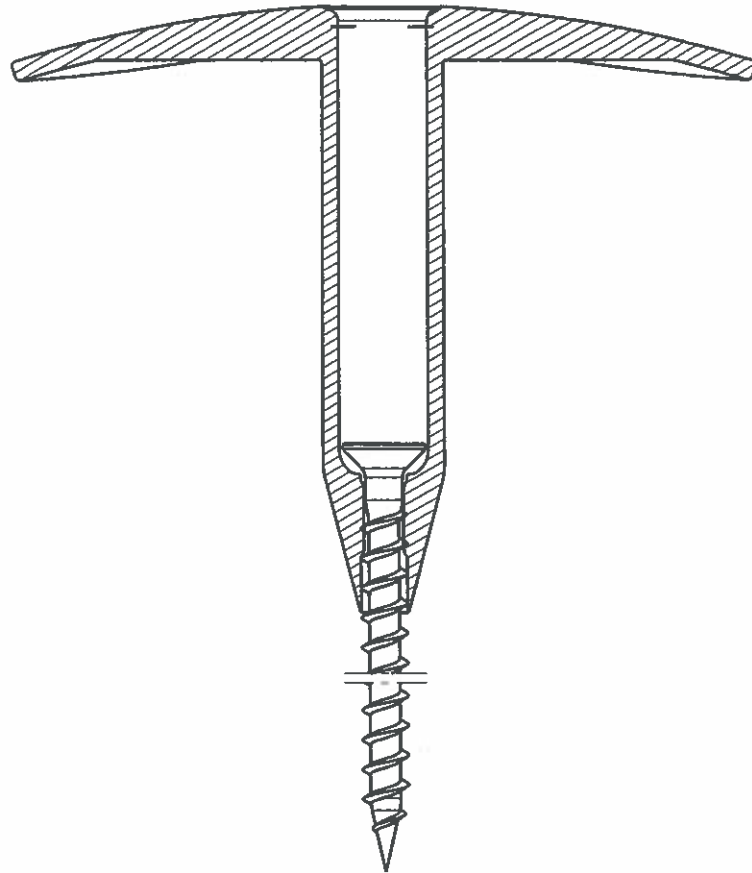


Van Roij Fasteners Europe b.v.

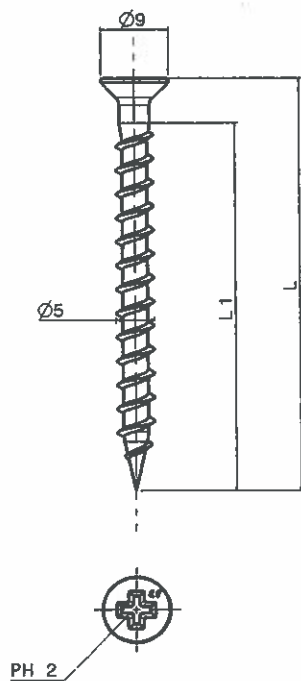
Combination:

Eurofast TWP 8040 x L
Eurofast EDS-B Ø 4,8 x L

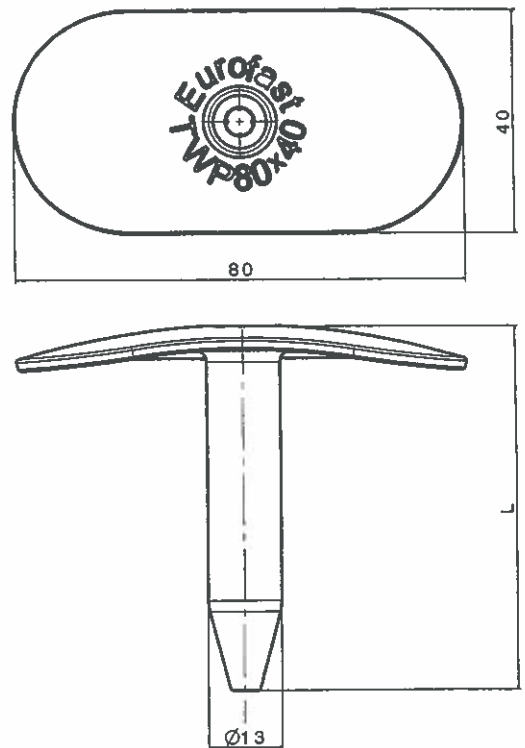
Eurofast® ETA-06/0007
01-03-2016 124 /151



VRF Eurofast EDS-H



VRF Eurofast TWP 80x40

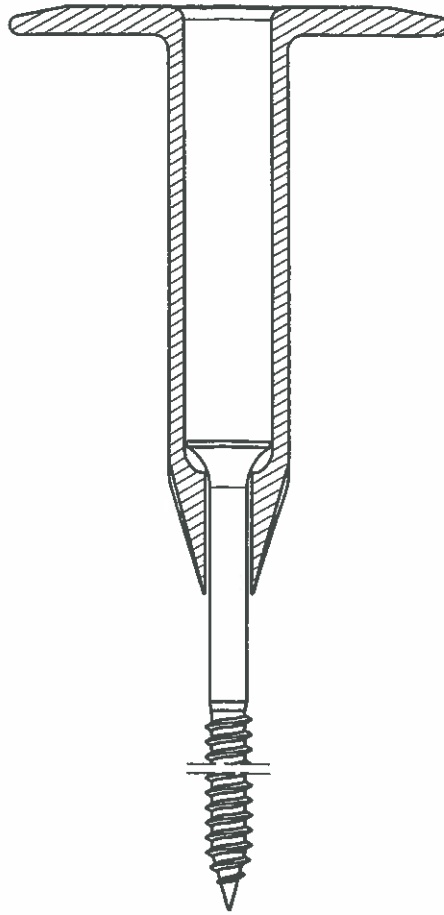


Van Roij Fasteners Europe b.v.

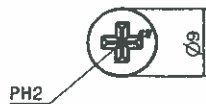
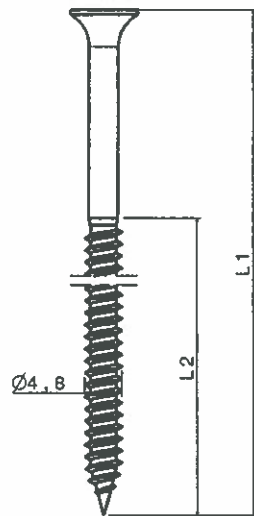
Combination:

Eurofast TWP 8040 x L
Eurofast EDS-H Ø 5,0 x L

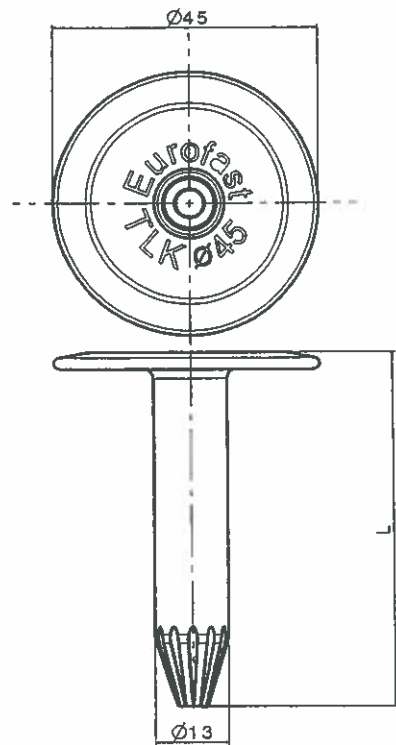
Eurofast® ETA-06/0007
01-03-2016 125 /151



VRF Eurofast EDS-S



VRF Eurofast TLK Ø 45

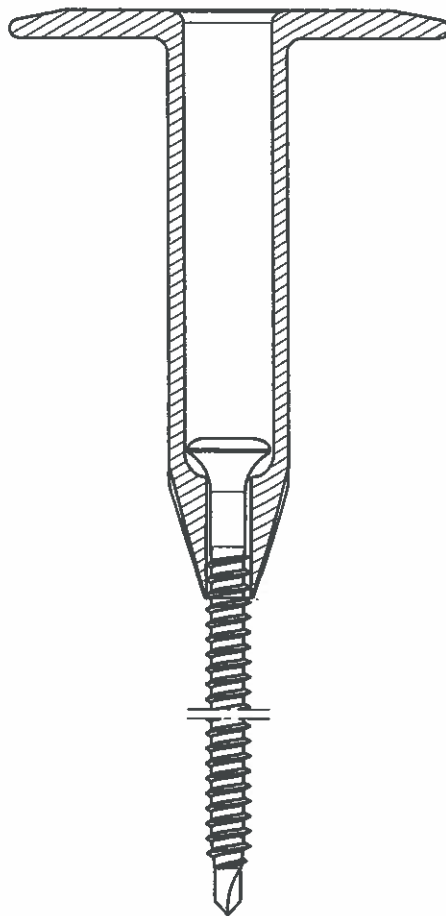


van Roij Fasteners Europe b.v.

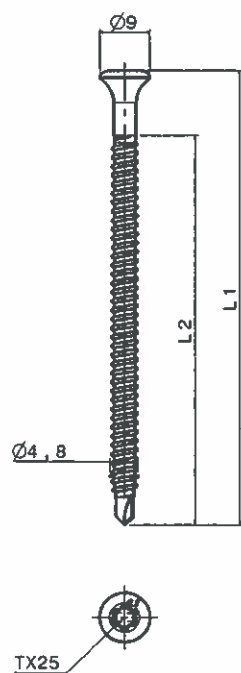
Combination:

Eurofast TLK Ø 45 x L
Eurofast EDS-S Ø 4,8 x L

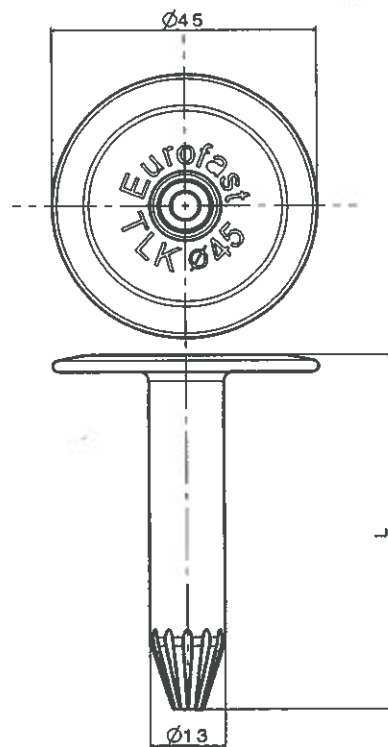
Eurofast® ETA-06/0007
01-03-2016 126 /151



VRF Eurofast EDS-SRB



VRF Eurofast TLK $\varnothing 45$

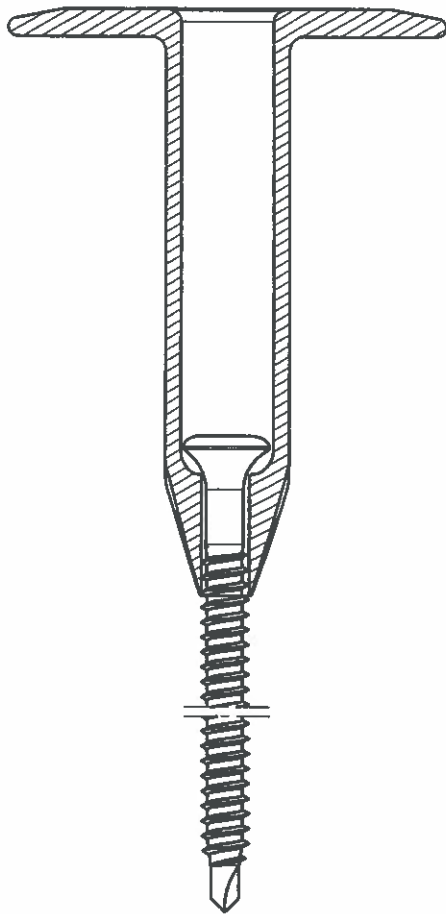


van Roij Fasteners Europe b.v.

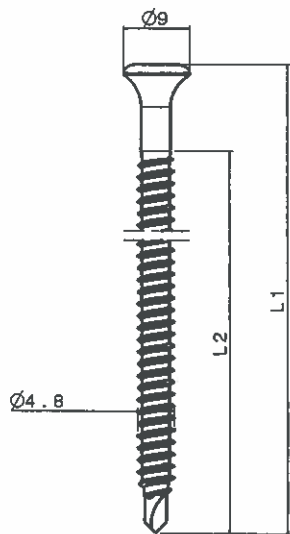
Combination:

Eurofast TLK $\varnothing 45 \times L$
Eurofast EDS-SRB $\varnothing 4,8 \times L$

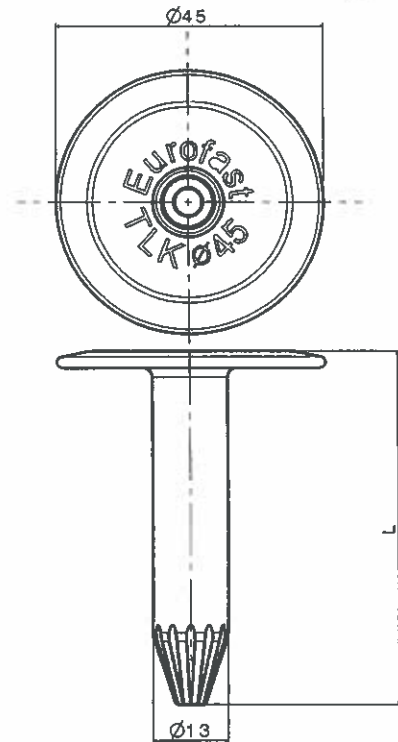
Eurofast® ETA-06/0007
01-03-2016 127 /151



VRF Eurofast EDS-B



VRF Eurofast TLK $\varnothing 45$

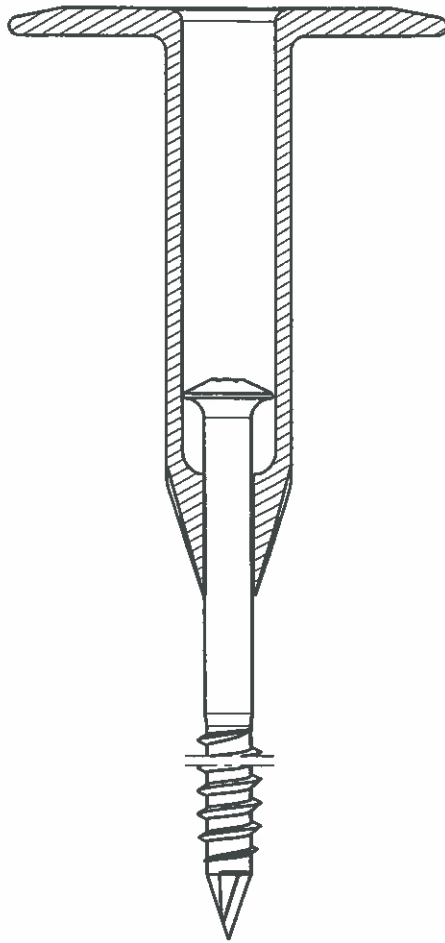


van Roij Fasteners Europe b.v.

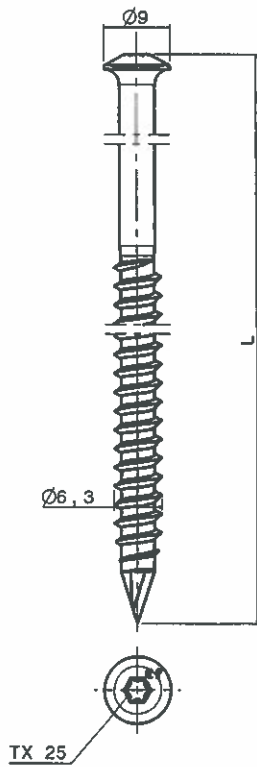
Combination:

Eurofast TLK $\varnothing 45 \times L$
Eurofast EDS-B $\varnothing 4,8 \times L$

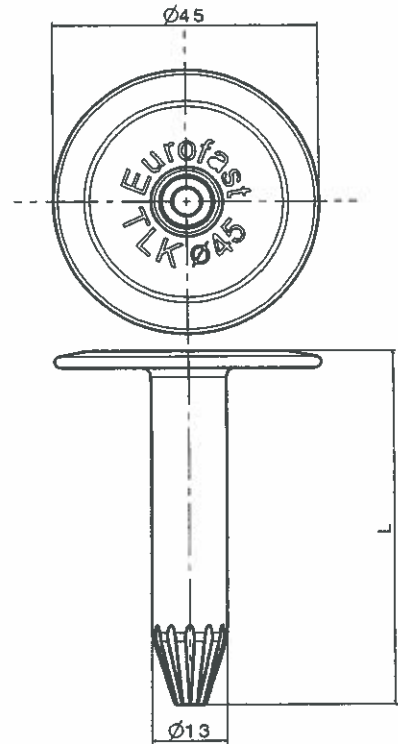
Eurofast® ETA-06/0007
01-03-2016 128 /151



VRF Eurofast EFHD



VRF Eurofast TLK $\varnothing 45$

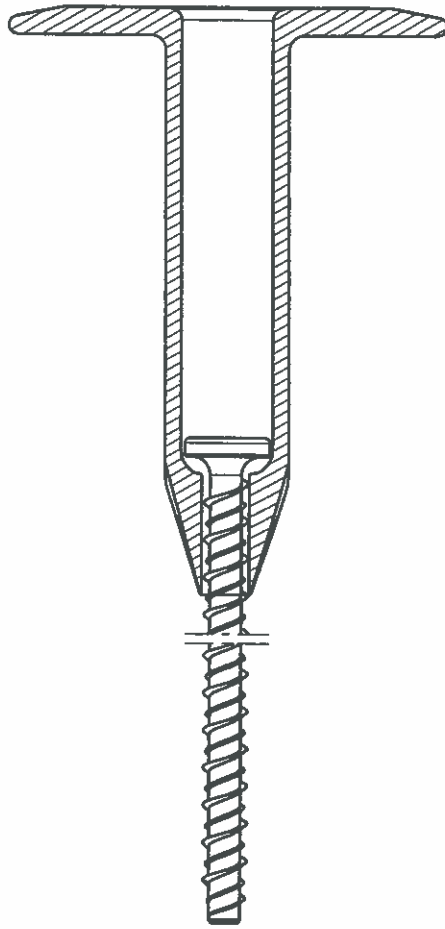


van Roij Fasteners Europe b.v.

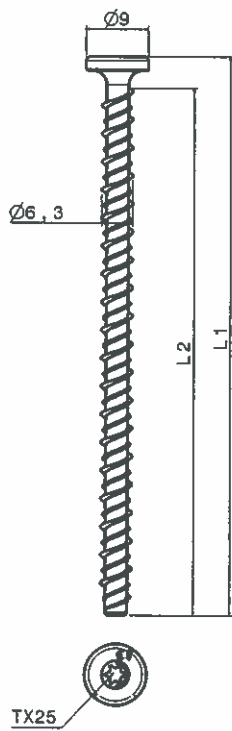
Combination:

Eurofast TLK $\varnothing 45 \times L$
Eurofast EFHD $\varnothing 6,3 \times L$

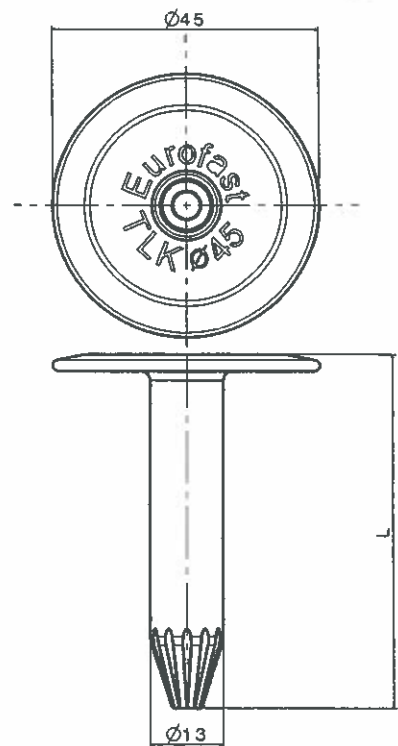
Eurofast® ETA-06/0007
01-03-2016 129 /151



VRF Eurofast EFR



VRF Eurofast TLK Ø 45

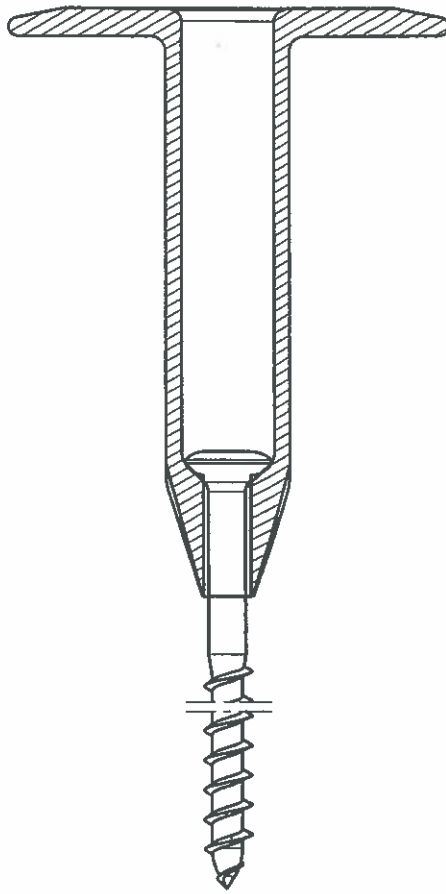


van Roij Fasteners Europe b.v.

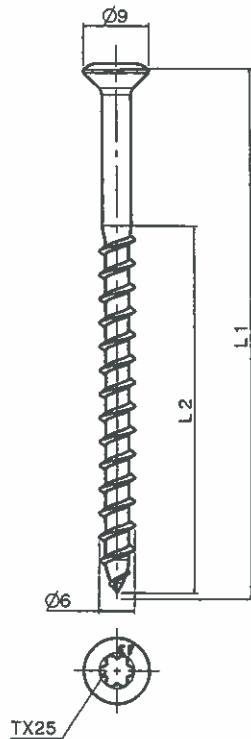
Combination:

Eurofast TLK Ø 45 x L
Eurofast EFR Ø 6,3 x L

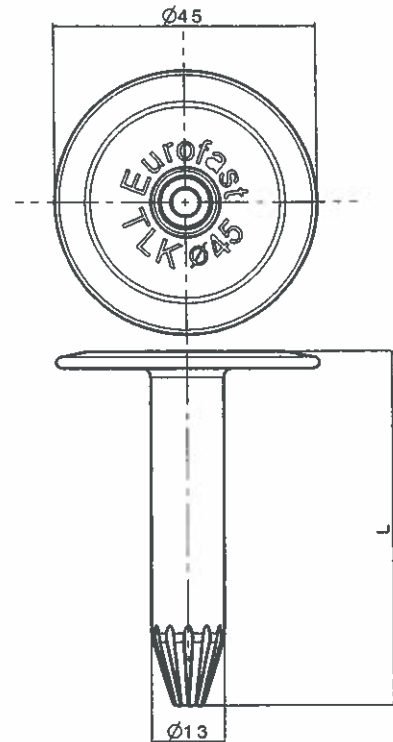
Eurofast® ETA-06/0007
01-03-2016 130 /151



VRF Eurofast GBS A2



VRF Eurofast TLK Ø 45

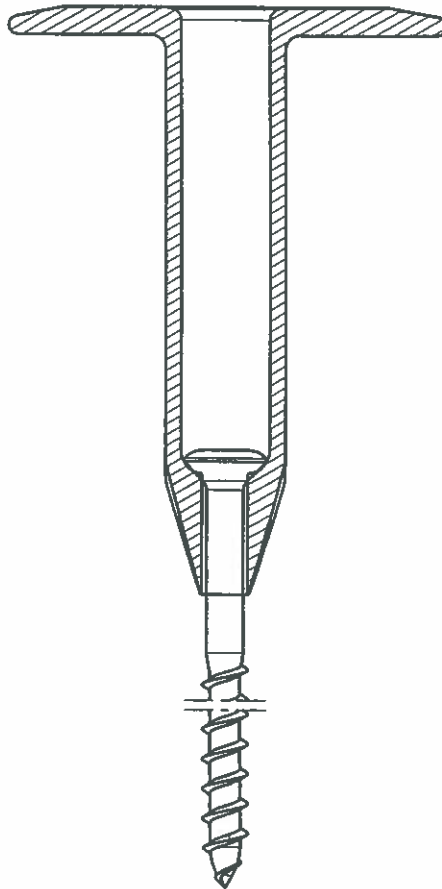


van Roij Fasteners Europe b.v.

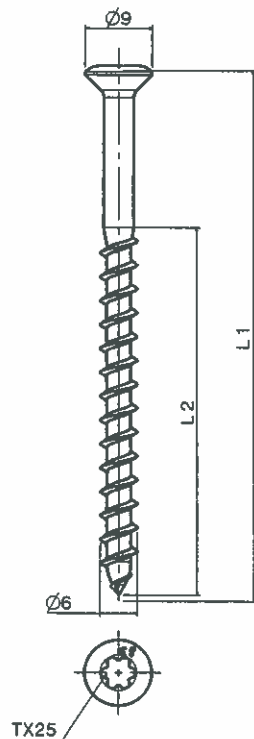
Combination:

Eurofast TLK Ø 45 x L
Eurofast GBS A2 Ø 6,0 x L

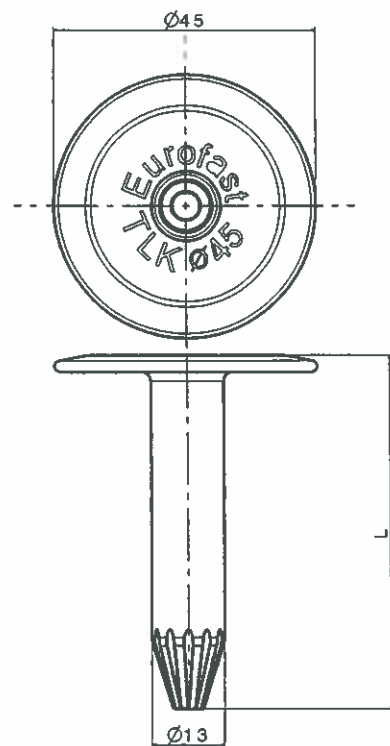
Eurofast® ETA-06/0007
01-03-2016 131 /151



VRF Eurofast GBS



VRF Eurofast TLK $\varnothing 45$

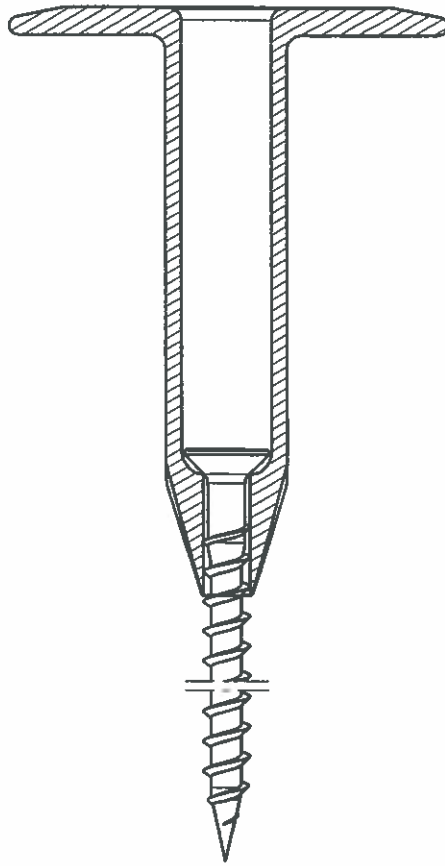


van Roij Fasteners Europe b.v.

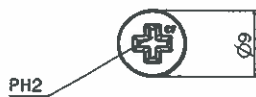
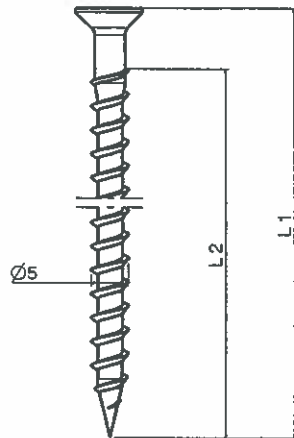
Combination:

Eurofast TLK $\varnothing 45 \times L$
Eurofast GBS $\varnothing 6,0 \times L$

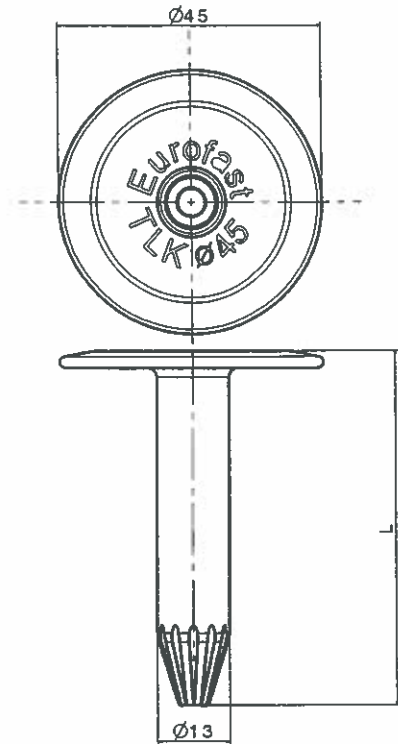
Eurofast® ETA-06/0007
01-03-2016 132 /151



VRF Eurofast EDSH



VRF Eurofast TLK Ø 45

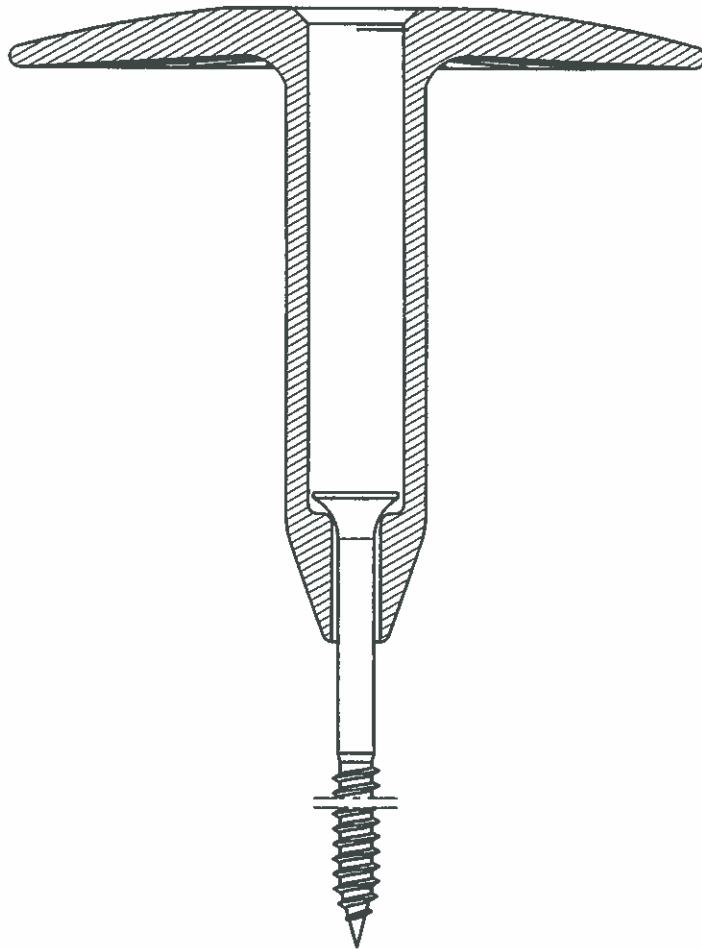


van Roij Fasteners Europe b.v.

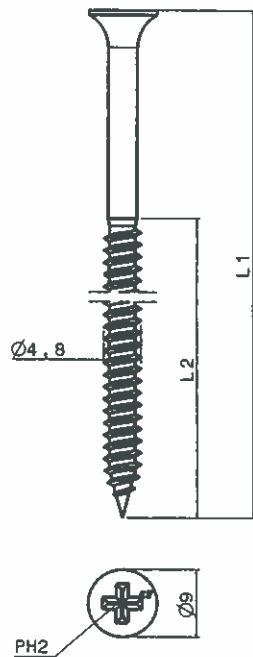
Combination:

Eurofast TLK Ø 45 x L
Eurofast EDSH Ø 5,0 x L

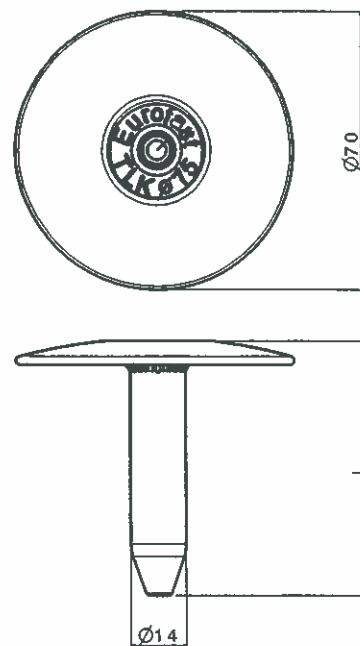
Eurofast® ETA-06/0007
01-03-2016 133 /151



VRF Eurofast EDS-S



VRF Eurofast TLK $\varnothing 75$

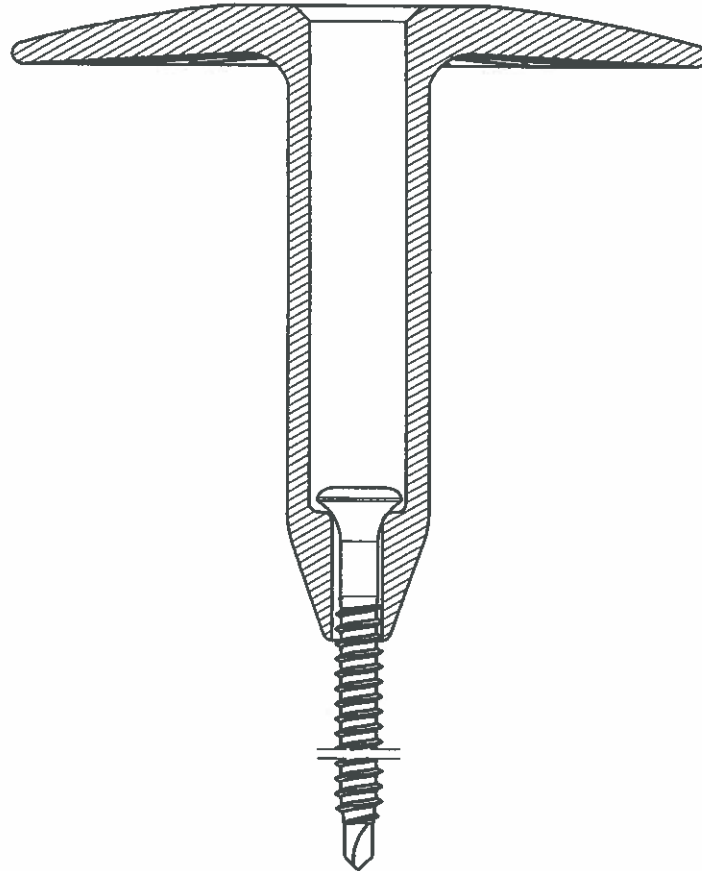


van Roij Fasteners Europe b.v.

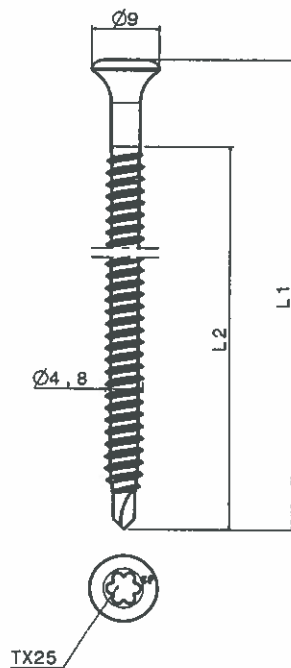
Combination:

Eurofast TLK $\varnothing 75 \times L$
Eurofast EDS-S $\varnothing 4,8 \times L$

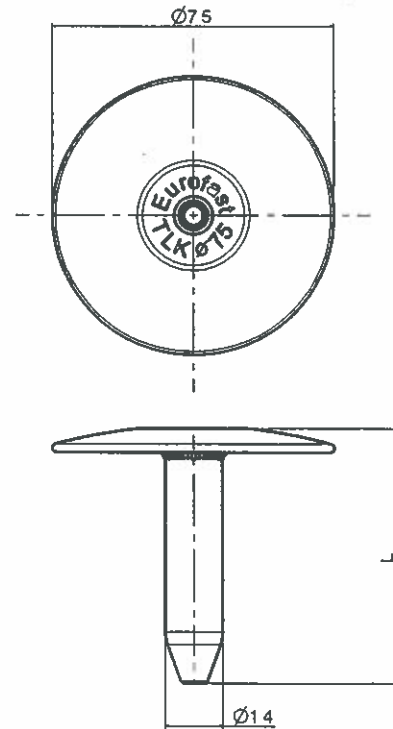
Eurofast® ETA-06/0007
01-03-2016 134 / 151



VRF Eurofast EDS-SRB



VRF Eurofast TLK $\varnothing 75$

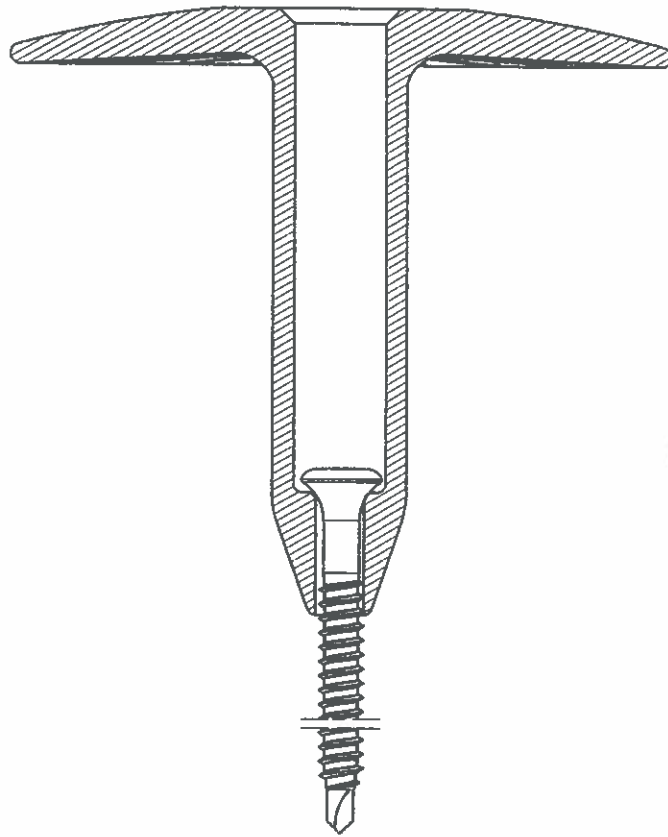


van Roij Fasteners Europe b.v.

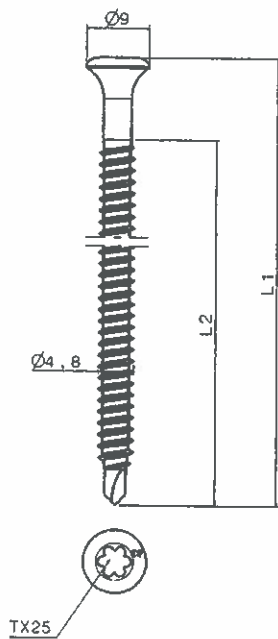
Combination:

Eurofast TLK $\varnothing 75 \times L$
Eurofast EDS SRB $\varnothing 4,8 \times L$

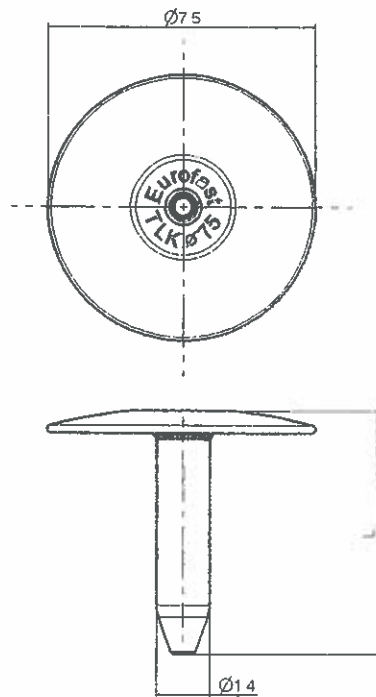
Eurofast® ETA-06/0007
01-03-2016 135 /151



VRF Eurofast EDS-B



VRF Eurofast TLK $\varnothing 75$

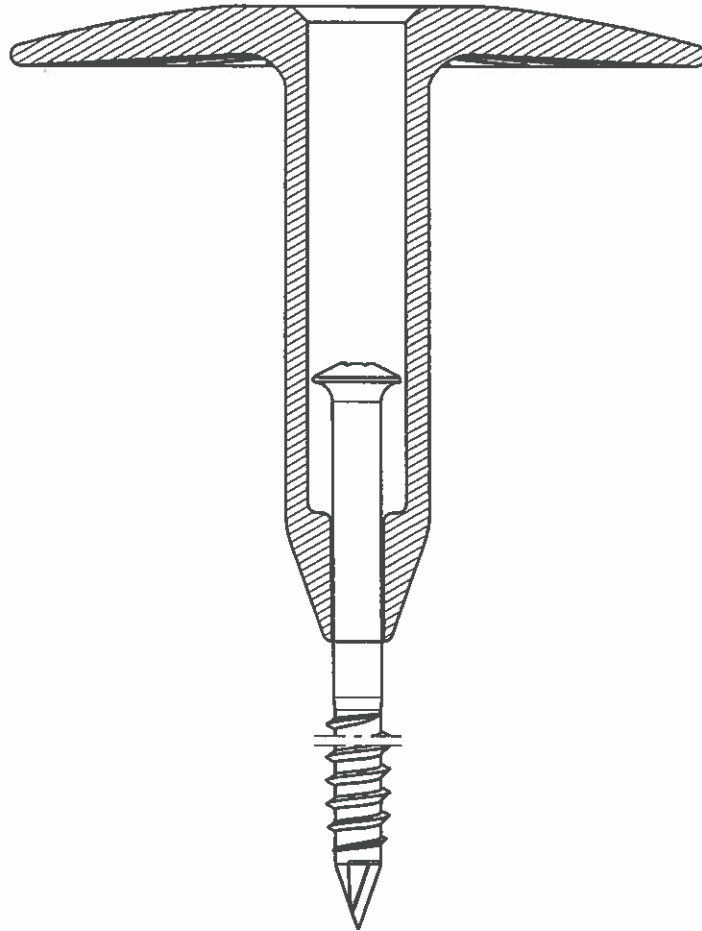


van Roij Fasteners Europe b.v.

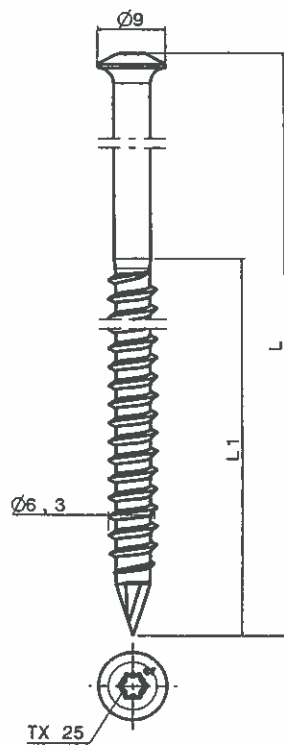
Combination:

Eurofast TLK $\varnothing 75 \times L$
Eurofast EDSB $\varnothing 4,8 \times L$

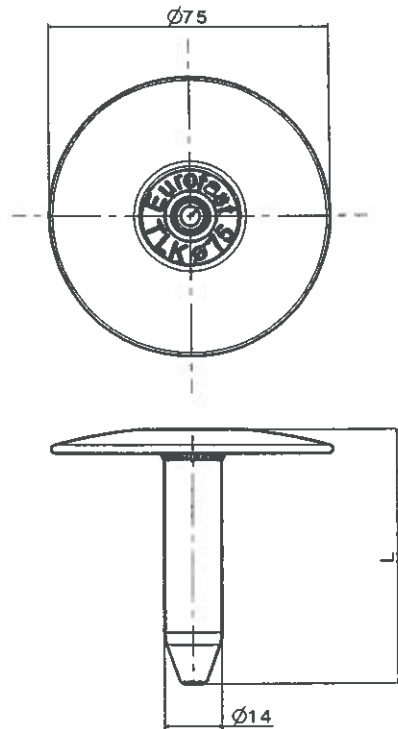
Eurofast® ETA-06/0007
01-03-2016 136/151



VRF Eurofast EFHD



VRF Eurofast TLK $\varnothing 75$

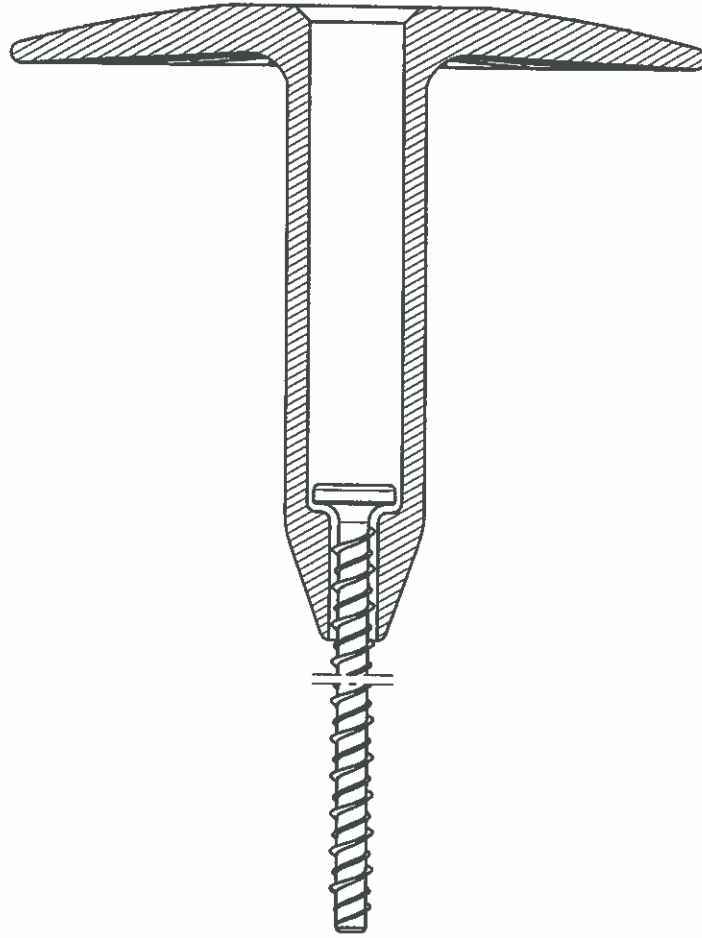


Van Roij Fasteners Europe b.v.

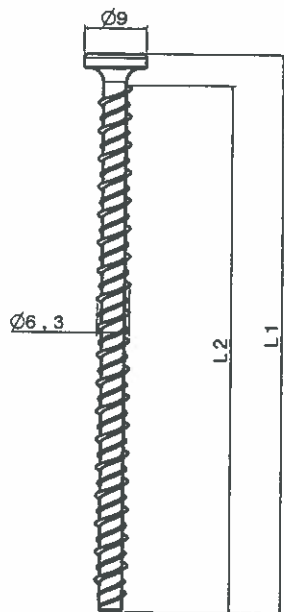
Combination:

Eurofast TLK $\varnothing 75 \times L$
Eurofast EFHD $\varnothing 6,3 \times L$

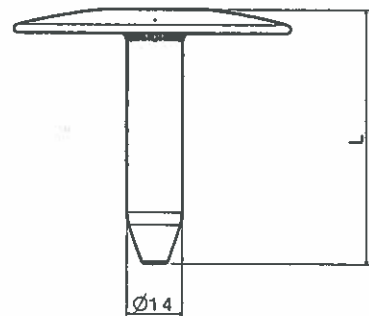
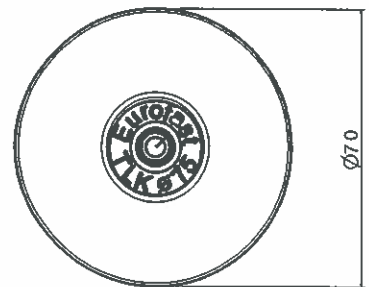
Eurofast® ETA-06/0007
01-03-2016 137 / 151



VRF Eurofast EFR



VRF Eurofast TLK $\varnothing 75$

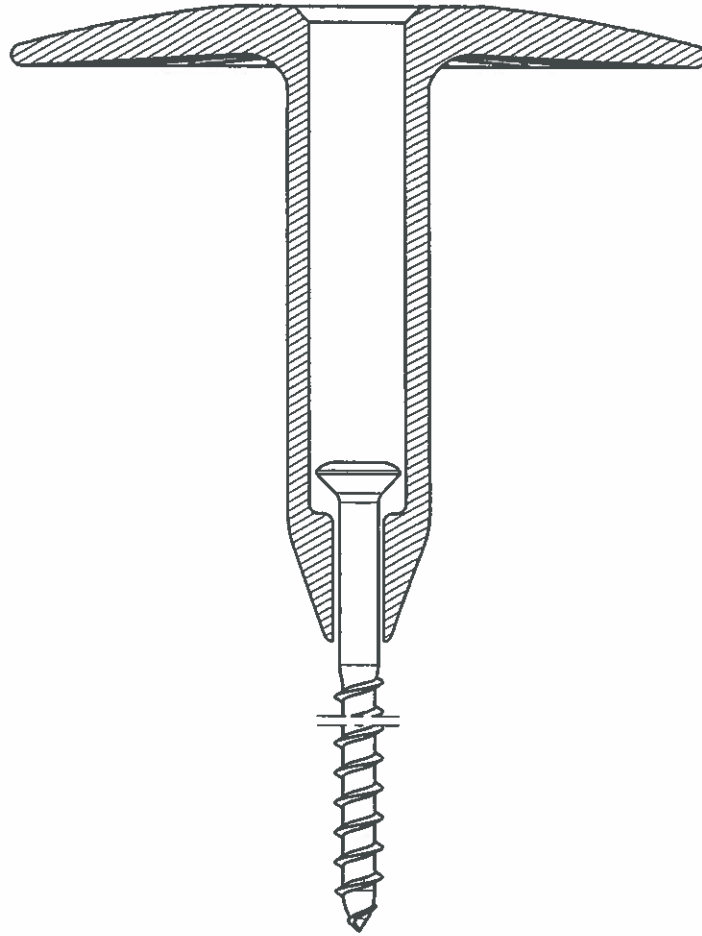


van Roij Fasteners Europe b.v.

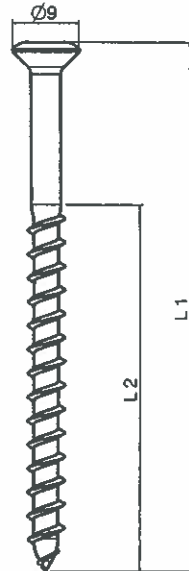
Combination:

Eurofast TLK $\varnothing 75 \times L$
Eurofast EFR $\varnothing 6,3 \times L$

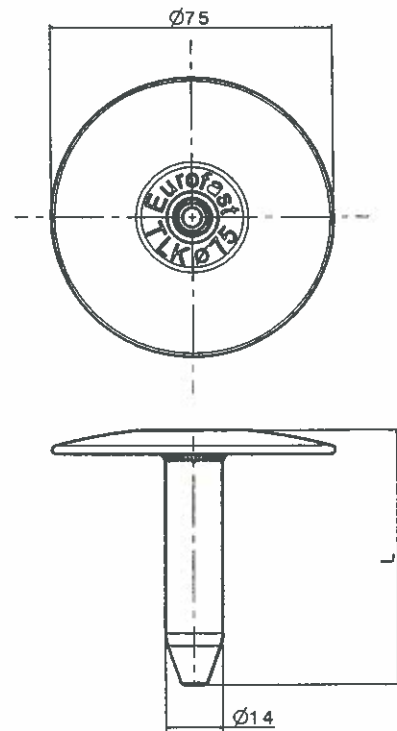
Eurofast® ETA-06/0007
01-03-2016 138 /151



VRF Eurofast GBS A2



VRF Eurofast TLK Ø 75

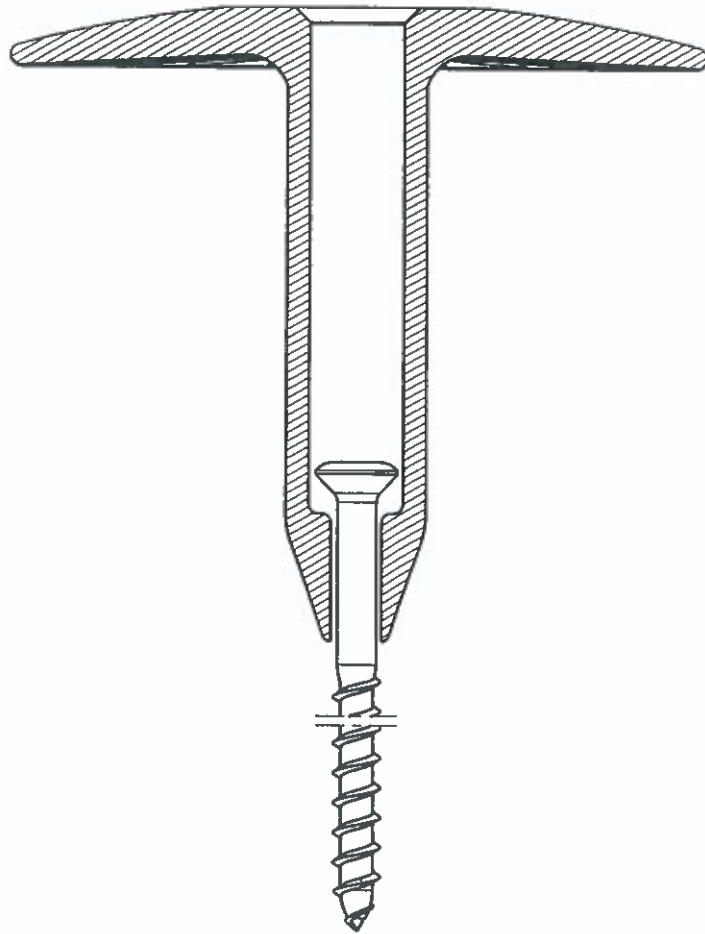


van Roij Fasteners Europe b.v.

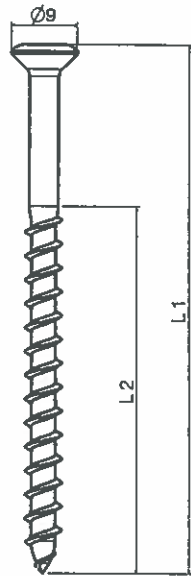
Combination:

Eurofast TLK Ø 75 x L
Eurofast GBS A2 Ø 6,0 x L

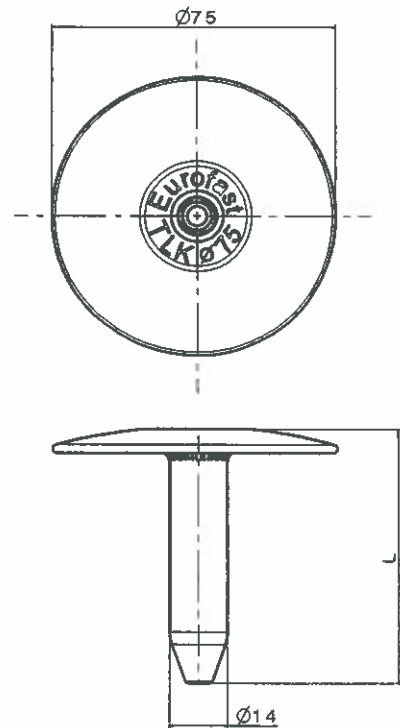
Eurofast® ETA-06/0007
01-03-2016 139 /151



VRF Eurofast GBS



VRF Eurofast TLK $\varnothing 75$

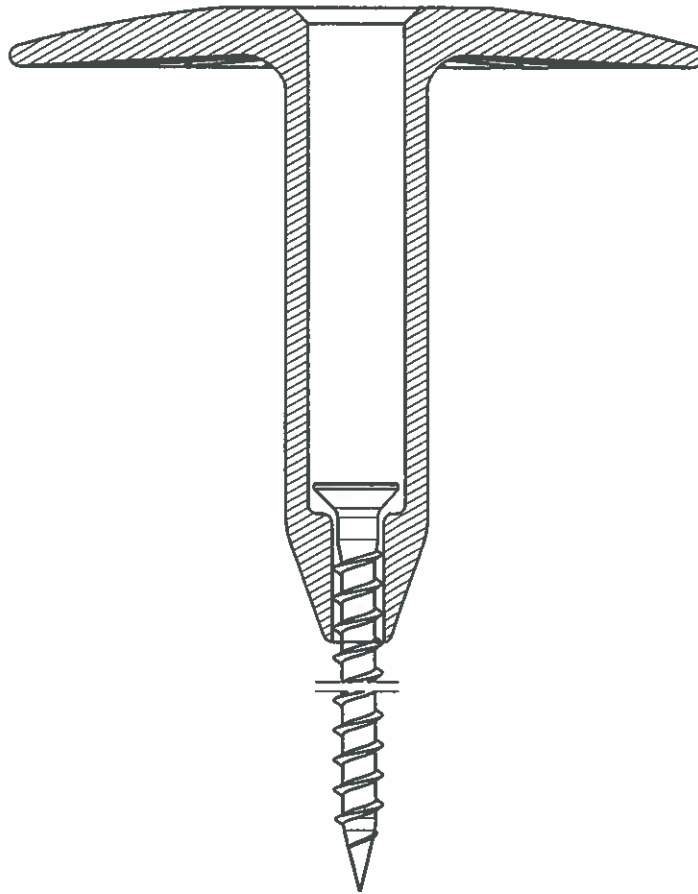


van Roij Fasteners Europe b.v.

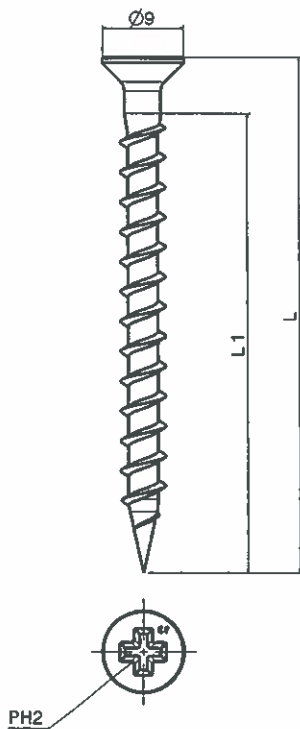
Combination:

Eurofast TLK $\varnothing 75 \times L$
Eurofast GBS $\varnothing 6,0 \times L$

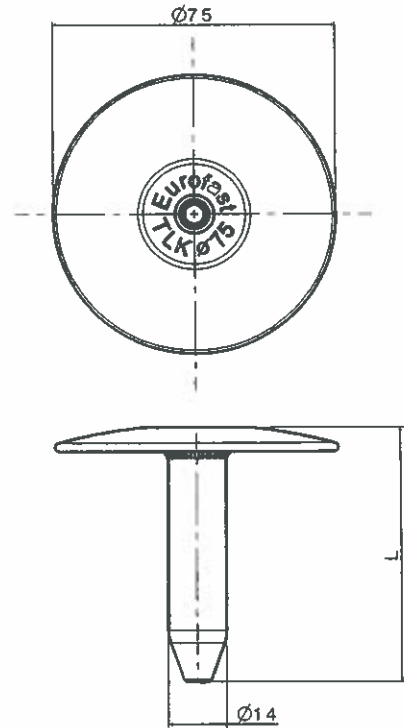
Eurofast® ETA-06/0007
01-03-2016 140/151



VRF Eurofast EDS-H



VRF Eurofast TLK $\varnothing 75$

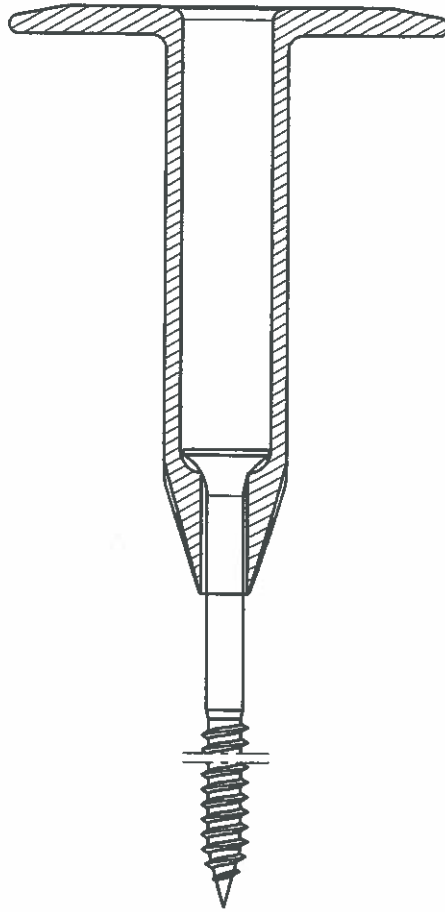


van Roij Fasteners Europe b.v.

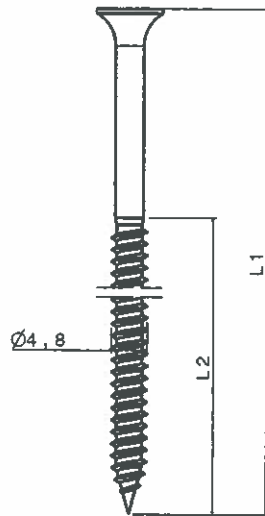
Combination:

Eurofast TLK $\varnothing 75 \times L$
Eurofast EDSH $\varnothing 5,0 \times L$

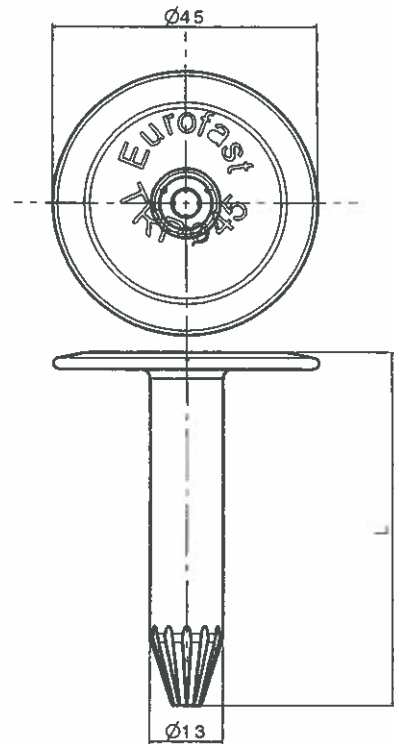
Eurofast® ETA-06/0007
01-03-2016 141 /151



VRF Eurofast EDS-S



VRF Eurofast TRP $\varnothing 45$

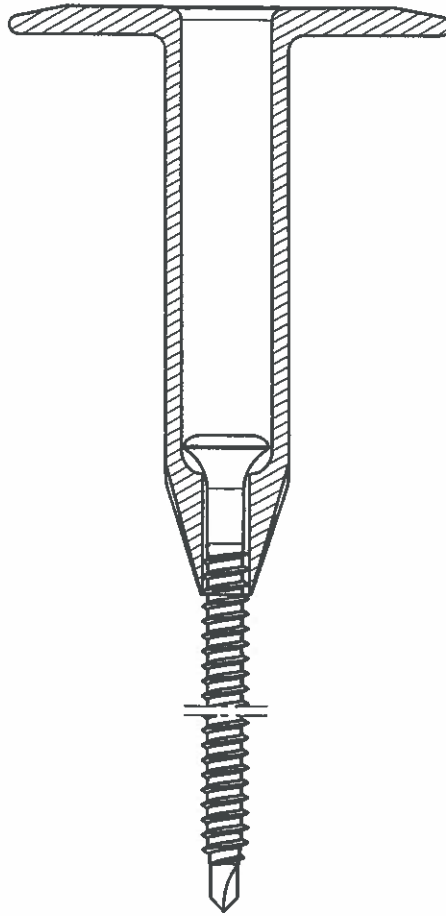


Van Roij Fasteners Europe b.v.

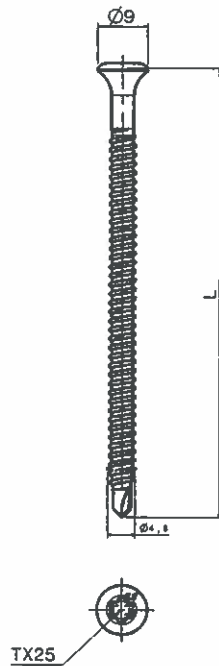
Combination:

Eurofast TRP $\varnothing 45 \times L$
Eurofast EDS-S $\varnothing 4,8 \times L$

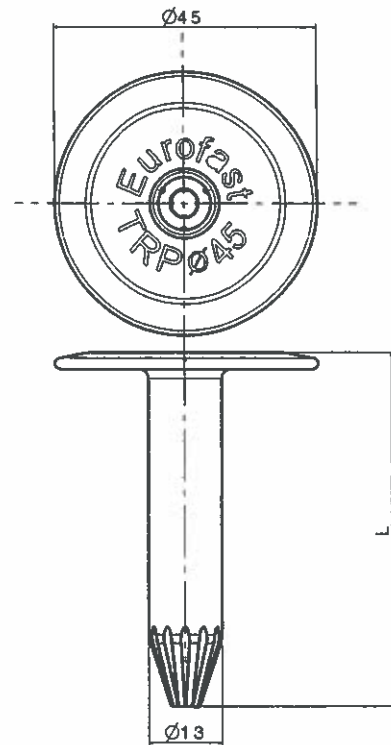
Eurofast® ETA-06/0007
01-03-2016 142 /151



VRF Eurofast EDS-SRB



VRF Eurofast TRP Ø 45

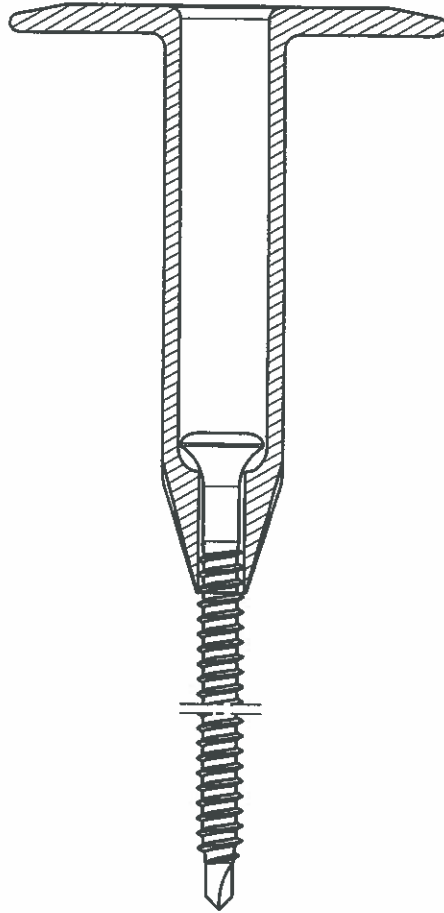


Van Roij Fasteners Europe b.v.

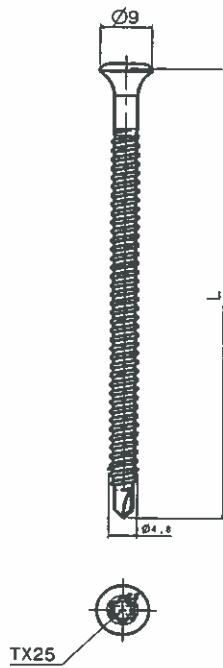
Combination:

Eurofast TRP Ø 45 x L
Eurofast EDS-SRB Ø 4,8 x L

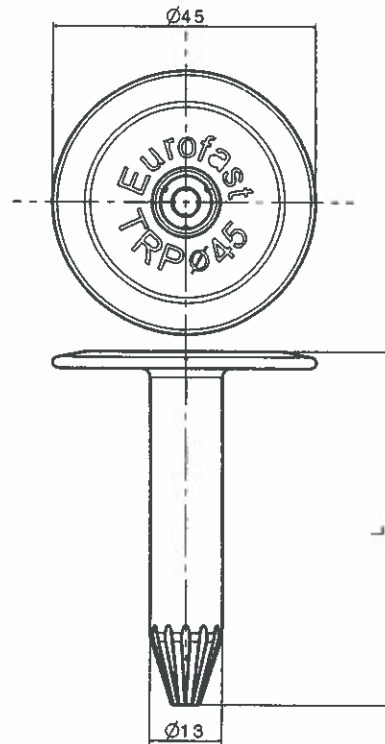
Eurofast® ETA-06/0007
01-03-2016 143 /151



VRF Eurofast EDS-B



VRF Eurofast TRP Ø 45

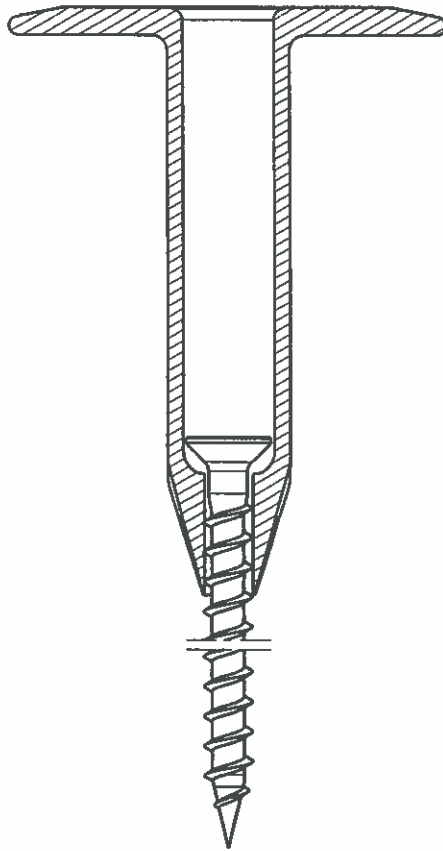


Van Roij Fasteners Europe b.v.

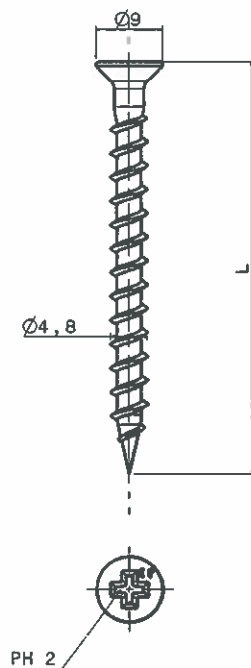
Combination:

Eurofast TRP Ø 45 x L
Eurofast EDS-B Ø 4,8 x L

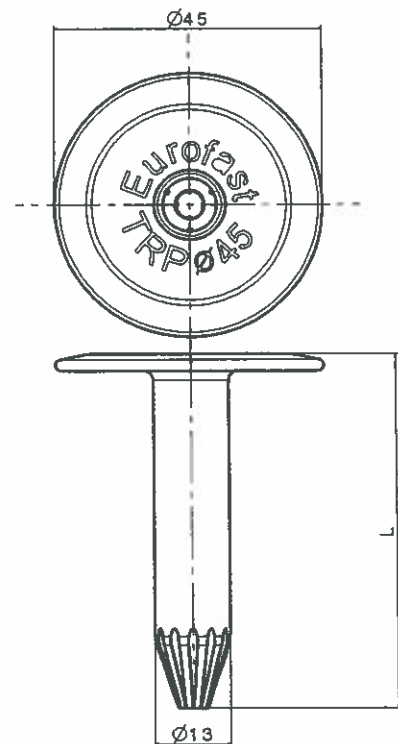
Eurofast® ETA-06/0007
01-03-2016 144 /151



VRF Eurofast EDS-H



VRF Eurofast TRP Ø 45

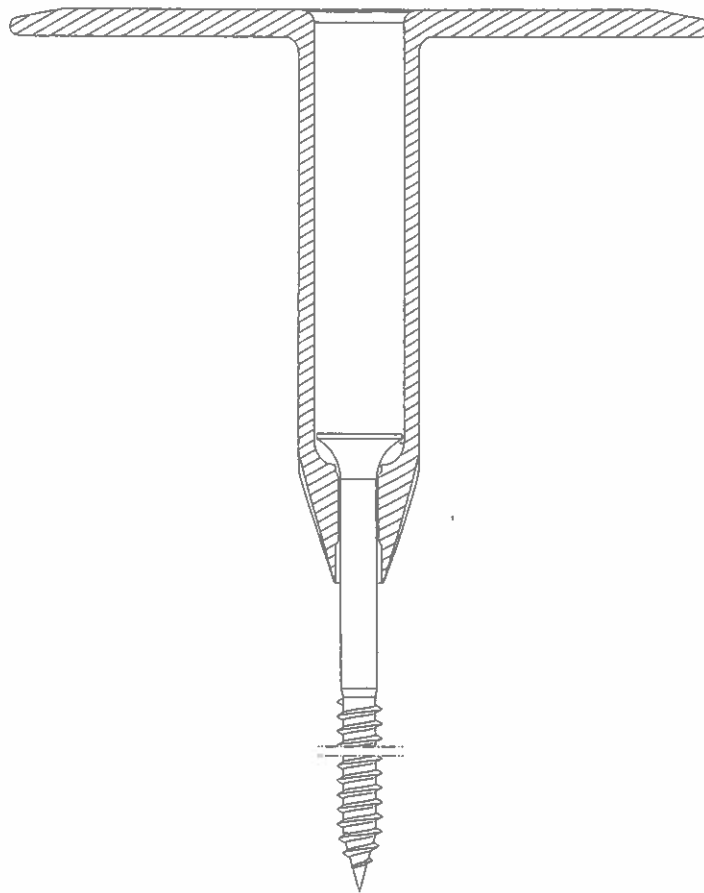


Van Roij Fasteners Europe b.v.

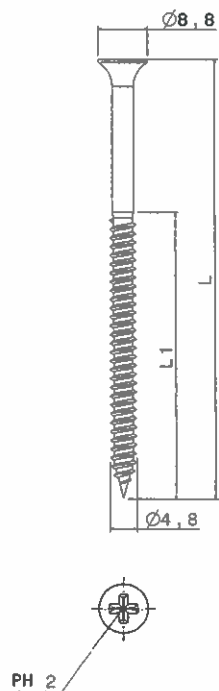
Combination:

Eurofast TRP Ø 45 x L
Eurofast EDS-H Ø 5,0 x L

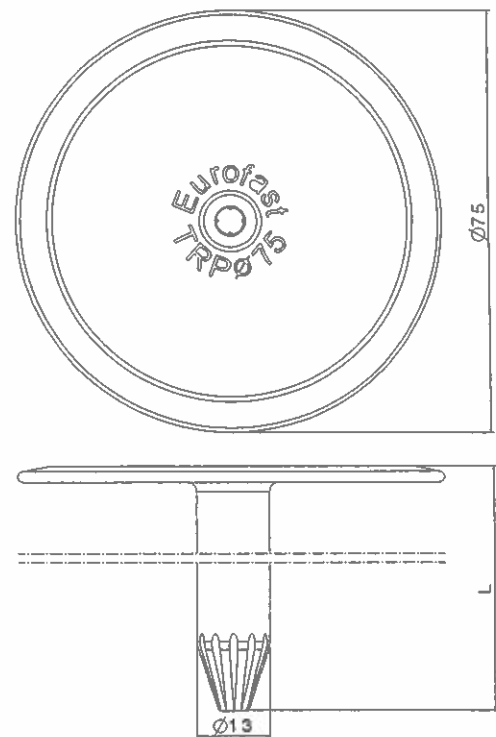
Eurofast® ETA-06/0007
01-03-2016 145 /151



VRF Eurofast EDS-S



VRF Eurofast TRP $\varnothing 75$

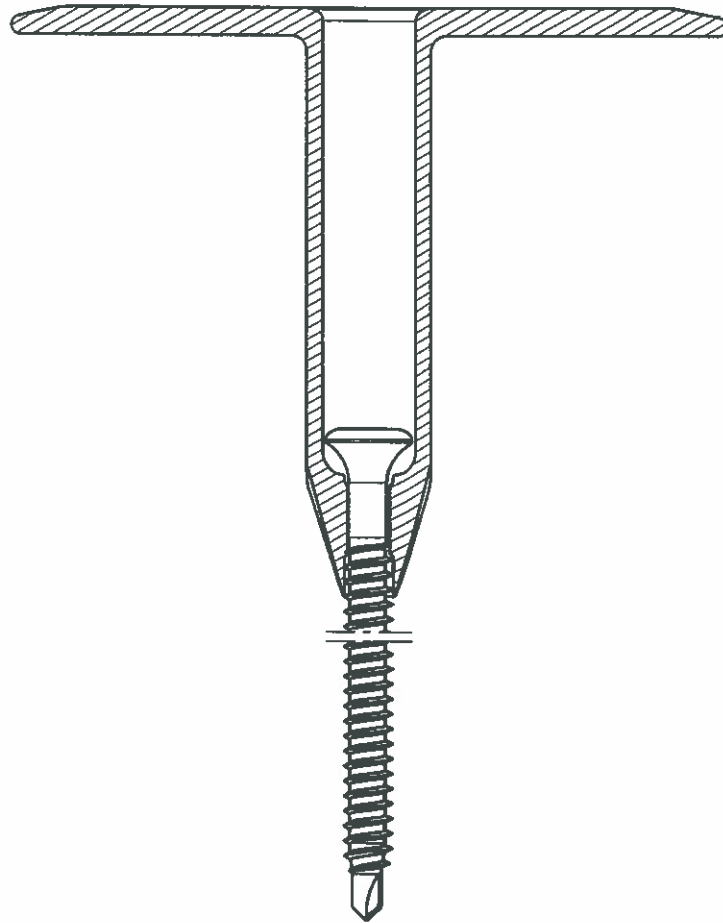


Van Roij Fasteners Europe b.v.

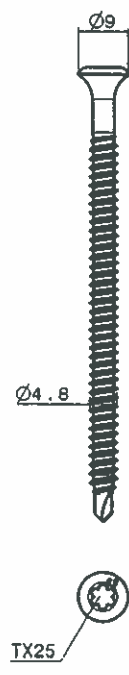
Combination:

Eurofast TRP $\varnothing 75 \times L$
Eurofast EDS-S $\varnothing 4,8 \times L$

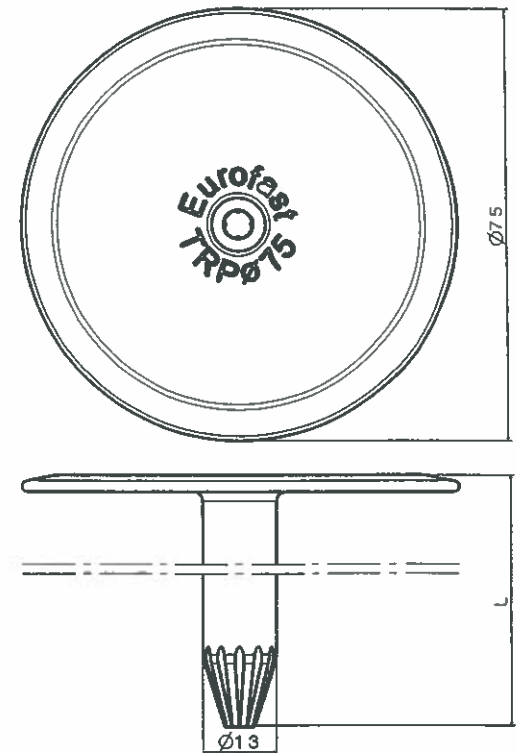
Eurofast® ETA-06/0007
01-03-2016 146 /151



VRF Eurofast EDS-SRB



VRF Eurofast TRP Ø 75

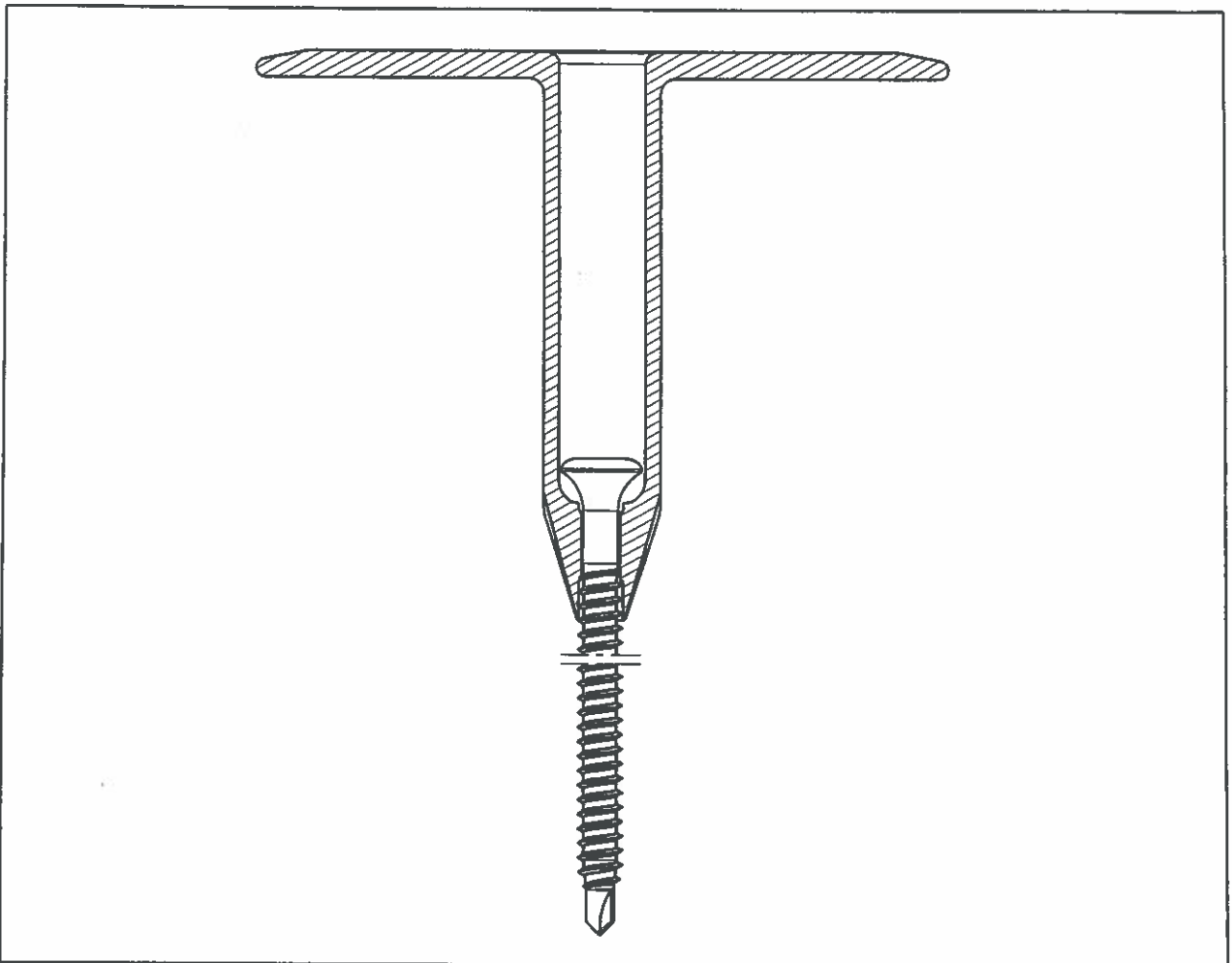


Van Roij Fastener Europe b.v.

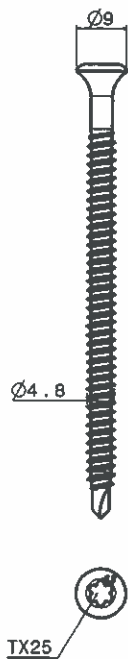
Combination:

Eurofast TRP Ø 75 x L
 Eurofast EDS-SRB Ø 4,8 x L

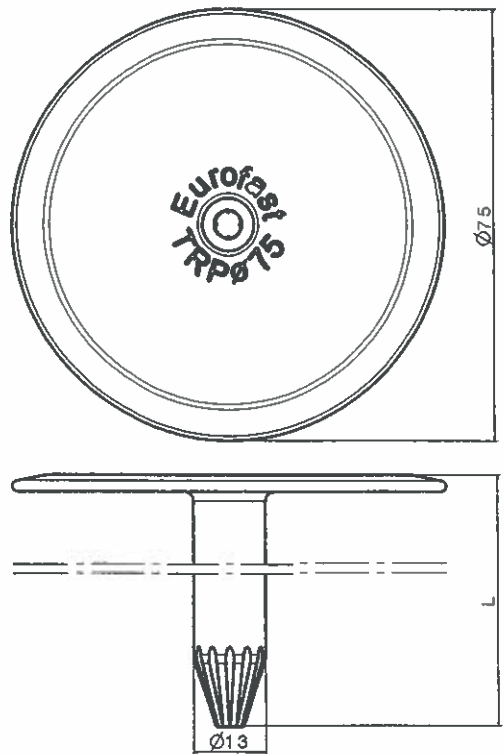
Eurofast® ETA-06/0007
 01-03-2016 147 /151



VRF Eurofast EDS-B



VRF Eurofast TRP Ø 75

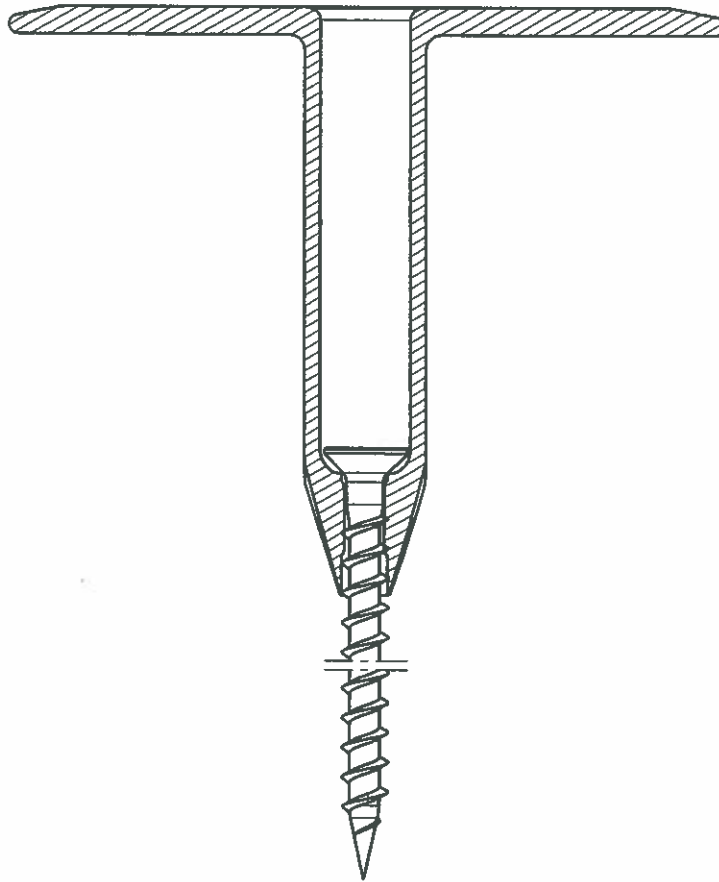


Van Roij Fastener Europe b.v.

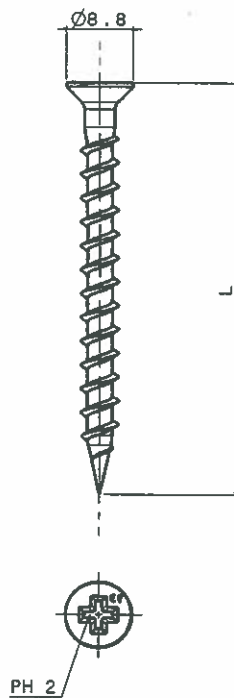
Combination:

Eurofast TRP Ø 75 x L
Eurofast EDS-B Ø 4,8 x L

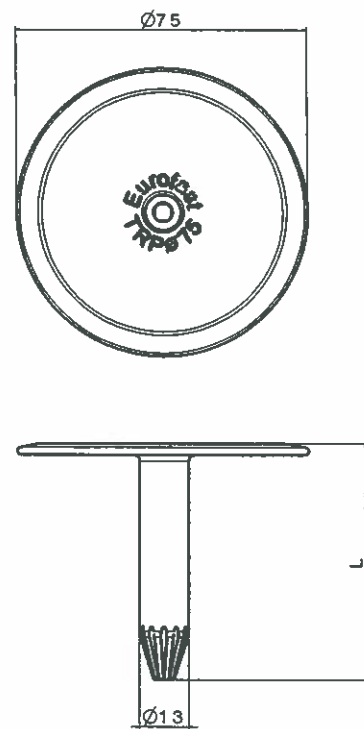
Eurofast® ETA-06/0007
01-03-2016 148 / 151



VRF Eurofast EDS-H



VRF Eurofast TRP Ø 75

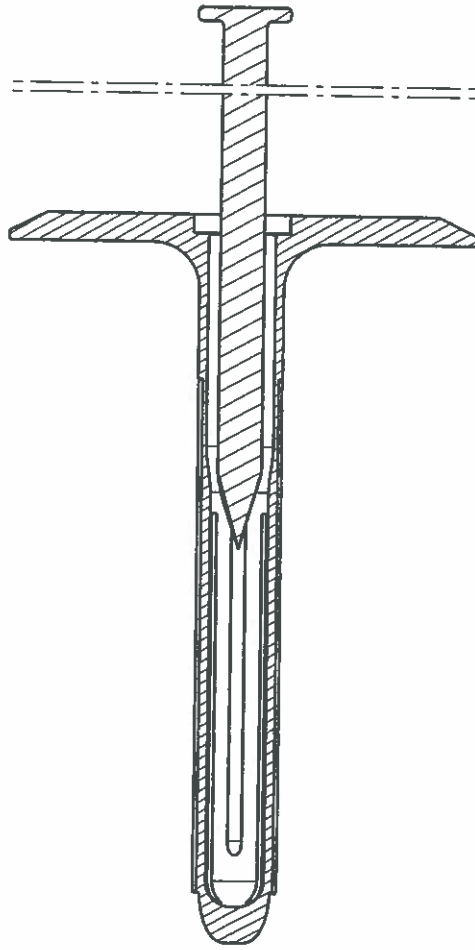


van Roij Fasteners Europe b.v.

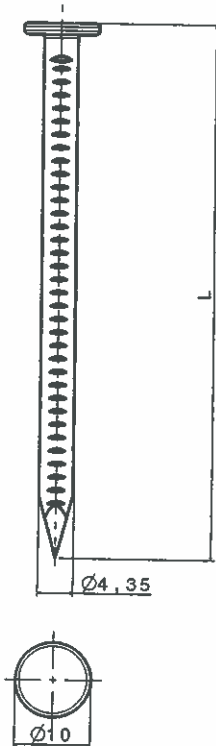
Combination:

Eurofast TRP Ø 75 x L
Eurofast EDS-H Ø 5,0 x L

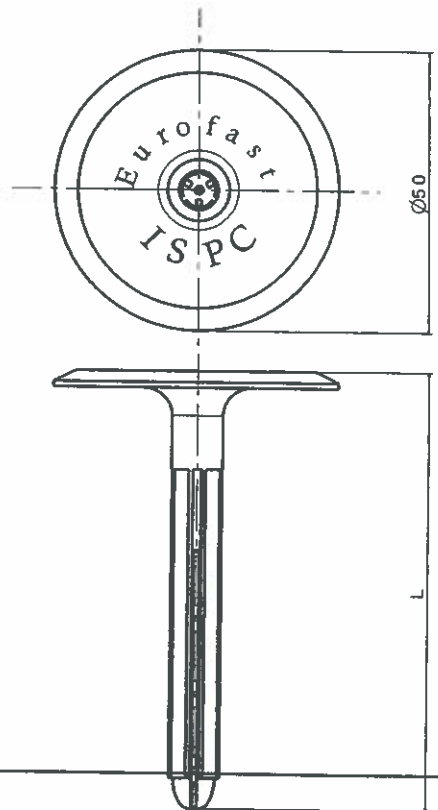
Eurofast® ETA-06/0007
01-03-2016 149 /151



VRF Eurofast ISPC-Nail $\varnothing 4,35$



VRF Eurofast ISPC $\varnothing 50$

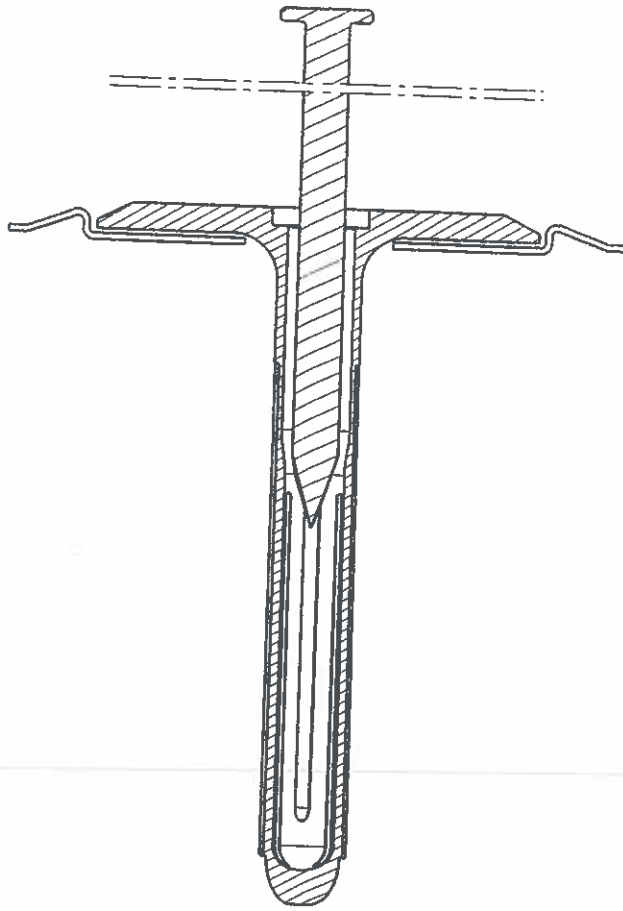


van Roij Fasteners Europe b.v.

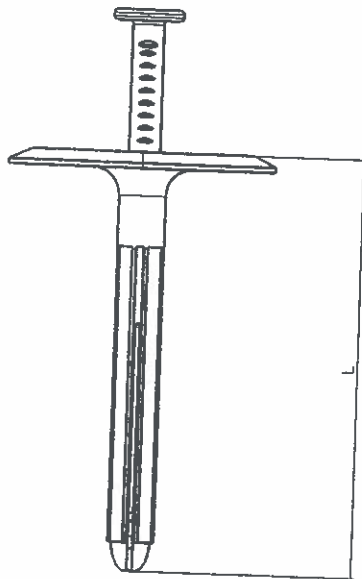
Combination:

IKOfix ISPC $\varnothing 50 \times L$
 IKOfix IPC-Nail $\varnothing 4,35 \times L$

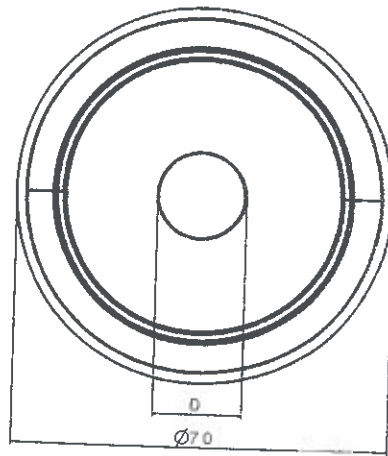
Eurofast® ETA-06/0007
 01-03-2016 150 /151



VRF Eurofast ISPC



VRF Eurofast DVP-ISPC 70



van Roij Fasteners Europe b.v.

Combination:

Eurofast ISPC $\varnothing 50 \times L$
 Eurofast DVP-ISPC $\varnothing 70 \times 0,5$

Eurofast® ETA-06/0007
 01-03-2016 151 /151

